

Instruction Manual



Mod. DB-06

Mod. DB-10

Potato Peeler

Models: DB-10 / DB-06

Summary

01 Main Precautions	1
02 Main Components	1
03 Installation	2
04 Technical Data	2
05 Pre Operation	3
06 Operation	3
07 Cleaning	4
08 General Advices	4
09 Electrical Diagram	5

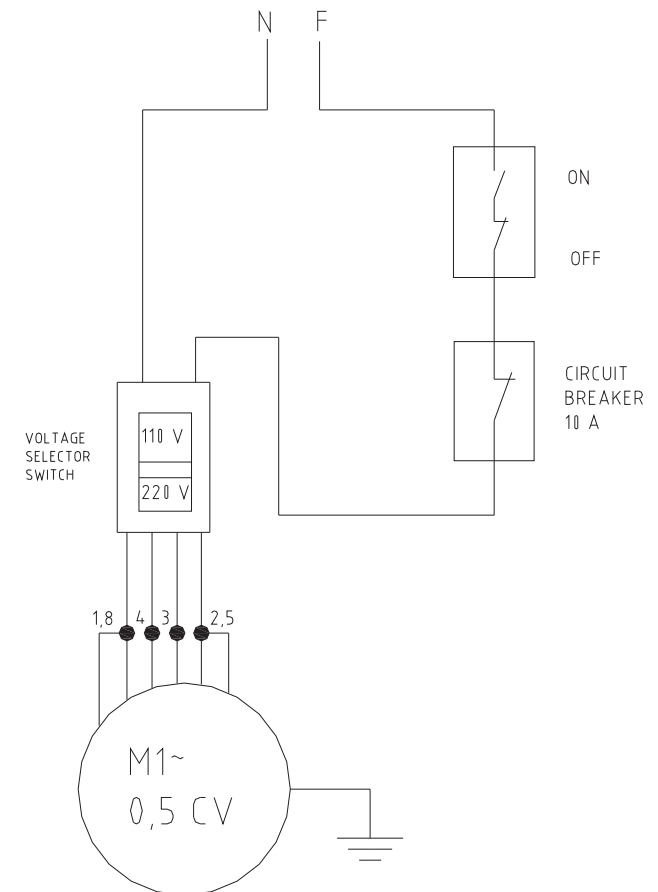
This equipment **MUST BE** operated only by persons whose age equals or exceeds 18 years old, in a safe and sound state of mind, free from the influence of any kind of drugs and alcohol, that received proper training and instructions regarding the correct operation of this machine, that are wearing correct and authorized safety clothes.

All and any kind of modifications carried on and applied to this machine **IMMEDIATELY NULLIFIES ANY KIND OF WARRANTY** and may result in harm and injuries to the individuals operating this machine and to individuals that are located in the machine surrounding areas while it is being operated.

UNDER NO CIRCUMSTANCES place your hands in the moving parts of the machine while it is being used. **MAKE SURE** the machine has come to a complete stop before accessing the processed ingredients.

MAKE SURE that the plate is firmly fit to the central pin.

9 Electrical Diagram



7 Cleaning

- a - Turn OFF the machine and disconnect it from power source.
- b - Wait until the plate is completely still.
- c - To lift the plate out of the cylinder, hold it and pull it up.
- d - Wash the machine and the plate with water and neutral soap.
- e - To reassemble plate proceed inversely being sure of placing it back on the central shaft pin correctly.

For a fast cleaning, just turn the machine ON without load and let it work with running water.

8 General Advices

ALWAYS turn machine off before cleaning and maintenance.
PROVIDE enough space around machine to avoid damages.
ALWAYS keep the floor dry. Wet floors may cause slippings.
ALWAYS turn machine off in case of power supply lack.
NEVER let dust or water to get into electrical and mechanical components of the machine.

DO NOT modify original features of the machine.
DO NOT take out nor tear off any safety or identification label.
DO NOT wear loose fitting clothes while operating the unit.
DO NOT use bracelets or any other piece of jewelry.

Have your hair ALWAYS shortened and held up (use hair fishnets if necessary) in a way it cannot reach any part of the machine. Roll up any loose sleeves.

SKYMSEN IS NOT responsible for ANY harm or injury caused by the negligent or inappropriate use of this equipment by any operator.

NOTICE TO OWNERS AND OPERATORS

The DB-10 potato peeler is designed to peel food products safely and efficiently. Unless the operator is properly trained and supervised, however, there is the possibility of a serious injury. It is the responsibility of the owner to assure that this machine is used properly and safely, strictly following the instructions contained in this Manual and any requirements of local law.

1 Main Precautions

DB-10 must be used and handled with care.

BEFORE cleaning disconnect machine from power source.

NEVER use tools not belonging to machine to help operation.

NEVER lift lid before being sure abrasive plate No.07 (Picture-01) is completely still.

The abrasive plate must be perfectly fitted onto central shaft pin No.02 (Picture-02).

BE CAREFUL when handling the abrasive plate, it is heavy and may hurt if dropped.

DO NOT put your hands inside machine during operation.

NEVER connect power source with wet hands nor wet clothes.

NEVER spray water or other liquid substances directly at motor, power switch or any other electrical components.

ALWAYS install equipment in working area with adequate light and space away from children and visitors.

NEVER operate without all warning labels attached and owner/operator manual available to operator.

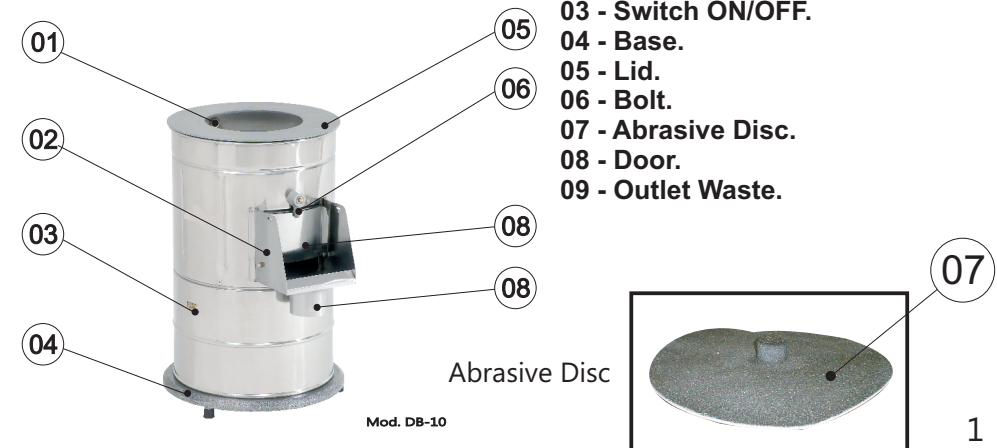
NEVER leave unattended while operating.

ALWAYS ground machine properly.

DO NOT process frozen foods or other products other than potatoes and carrots.

2 Main Components

Picture - 01



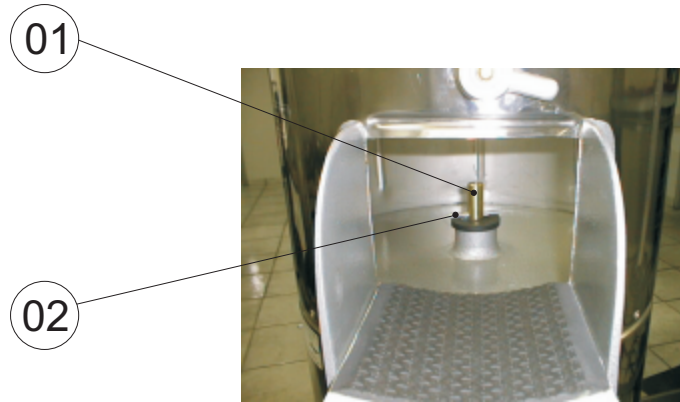
3 Installation

The peeler DB 10 must be installed on a level, non-skid work surface. During peeling operation food product must be wet. By means of a 3/4" pipe bring water to feeding nipple No.01 (picture 01). As an alternative it is possible to place the machine below a 3/4" water faucet and let the water flow in during the operation.

It is recommended to place the machine near by a water sink to allow wastes to flow out. A drainage pipe may be connected to outlet waste No.09 (picture 01) to flow the wastes out to the nearest sink.

This equipment is provided with a two or three pin electric cable. All pins must be connected before the machine is turned on.

Picture - 02



01 - Central Shaft.
02 - Central Shaft Pin.

4 Technical Data

Table - 01

Technical Data	Units	DB-06	DB-10
Voltage	[V]	110 / 220	110 / 220
Frequency	[Hz]	50 or 60 (*)	50 or 60 (*)
Rating	[Hp]	0,25	0,33
Consumption	[kW/h]	0,20	0,26
Height	[mm]	535	720
Width	[mm]	340	475
Depth	[mm]	440	580
Net Weigth	[kg]	14,0	34,0
Gross Weigth	[kg]	16,0	37,0
Average Production	[kg/h]	100	200

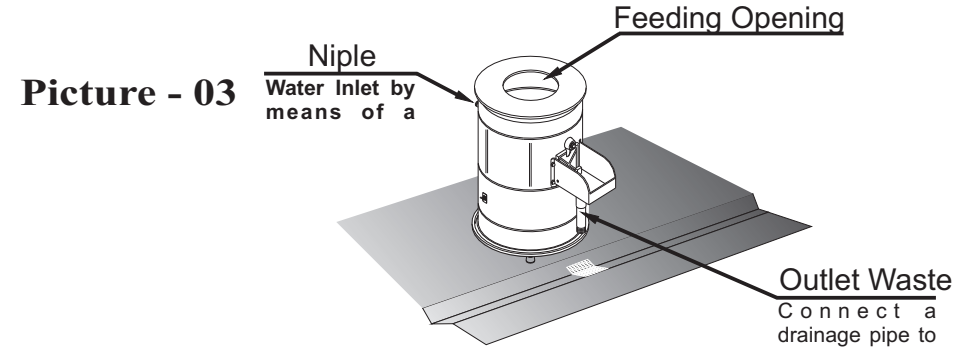
(*) Check nameplate for correct frequency.

5 Pre operation

Check voltage of the machine. The voltage must be the same as the power source voltage.

Grounding wire must always be connected.

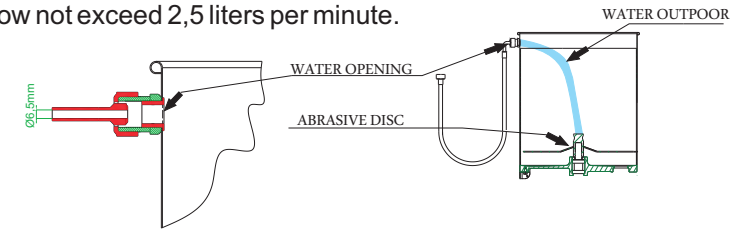
Check if the machine is firm in its position. Be sure the water inlet pipe and the drainage pipe are installed properly as indicated below (picture 03):



Picture - 03

The water ouypoor that enters the equipment must not pass beyond the center of the disc, as indicater in the drawinging-01

The water outflow not exceed 2,5 liters per minute.



6 Operation

IMPORTANT: BE SURE THE ABRASIVE PLATE IS FIRMLY FITTED ONTO CENTRAL SHAFT PIN.

First of all check if the lid No. 06 (picture 01) is duly fitted on the top of the machine. To start machine turn toggle switch No. 03 (picture 01) to ON position. Let water flow into the chamber and load it with food product. Water shall then flow out through the waste outlet. Each load shall not exceed 10 Kg in the DB-10 and 06 kg in the DB-06. The peeling time is from 3 to 5 minutes it depends on the hardness of the food product, its size and irregularity.

Check if products are peeled looking through the opening of the top lid. To remove peeled product from inside the chamber close faucet, place a container under the discharge door No. 09 (picture 01) and open it, so that the peeled potatoes are discharged from the chamber under the action of centrifugal force applied by the peeling disc.

IMPORTANT - UNDER NO CIRCUMSTANCES PUT YOUR HANDS ON THE ABRASIVE PLATE DURING OPERATION OR TRY TO DISCHARGE PEELED PRODUCTS BY INSERTING HANDS OR TOOLS INTO THE DISCHARGE DOOR.