



Instruction Manual

Model:

LAR-25PMB



METALÚRGICA SIEMSEN LTDA.

Rua Anita Garibaldi, nº 262 – Bairro: São Luiz – CEP: 88351-410
Brusque – Santa Catarina – Brasil
Fone: +55 47 3255 2000 – Fax: +55 47 3255 2020
www.siemsen.com.br - comercial@siemsen.com.br



E-mail: at@siemsen.com.br

- ALÉM DESTAS MÁQUINAS, FABRICAMOS UMA LINHA COMPLETA DE EQUIPAMENTOS. CONSULTE SEU REVENDEDOR.
- ESTE PRODUTO CONTA COM ASSISTÊNCIA TÉCNICA, REPRESENTANTES E REVENDEDORES EM TODO TERRITÓRIO NACIONAL.
DEVIDO À CONSTANTE EVOLUÇÃO DOS NOSSOS PRODUTOS, AS INFORMAÇÕES AQUI CONTIDAS PODEM SER MODIFICADAS SEM AVISO PRÉVIO.

42223.1 - Janeiro / 2014

Instructions Manual

SUMMARY

1. Introduction	2
1.1 Safety	2
1.2 Main Components	2
1.3 Technical Characteristics	3
2. Installation and Pre operation	3
2.1 Installation	3
2.2 Pre operation	3
3. Operation	4
3.1 Starting	4
3.2 Operating Procedures	4
3.3 Discharging Procedures	5
3.4 Cleaning	5
4. General Safety Practices	7
4.1 Basic Operation Procedures	7
4.2 Safety Procedures and Notes Before Switching the Machine On	8
4.3 Routine Inspection	9
4.4 Operation	9
4.5 After Finishing the Work	9
4.6 Maintenance Operation	10
5. Analysis and Problem Solving	10
5.1 Problems, Causes and Solutions	10
5.2 Electric Diagram	11

1. Introduction

1.1 Safety

The High Performance Tilting Blenders are machines simple to use and to clean. However for your safety read the following instructions in order to avoid accidents:

1.1.1 Always unplug the machine when cleaning, servicing or when any other operation is needed.

1.1.2 Never use tools that do not belong to the machine during operation.

1.1.3 Never throw water directly to the machine.

1.1.4 Do not operate the machine wearing wet clothes or wet shoes.

1.1.5 Before operating the machine be sure it is grounded properly.

1.1.6 When washing inside the Cup N°02 (Pic. 01) be careful with the blade as it has sharp edges.

1.1.7 For your safety, the temperature of the processed products shall not exceed 40 °C.

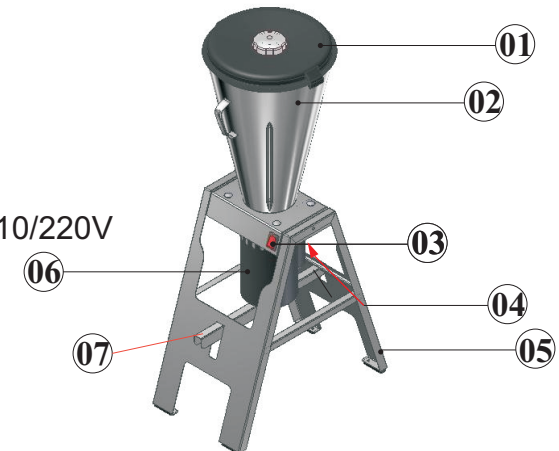


1.2 Main Components

All components are made with carefully selected materials, in accordance with Siemens experience and standard testing procedures.

Picture 1

- 01- Lid
- 02- Cup
- 03- On/Off Switch
- 04- Voltage Selector Switch 110/220V
- 05- Stand
- 06- Motor
- 07- Lock Pedal



1.3 Technical Characteristics

TABLE - 01

Technical Data	Units	LAR-25PMB
Voltage	[V]	110/220
Frequency	[Hz]	50 or 60
Power Rating	[CV]	1,0 or 1.5
Consumption	[kW/h]	0,73 or 1,1
Height	[mm]	1180
Width	[mm]	410
Depth	[mm]	525
Net Weigth	[kg]	20,5
Gross Weigth	[kg]	24
Rotation	[rpm]	3500

(*) Frequency will be only the one indicated on motor characteristics label. (110/220V-60Hz) (220V-50Hz)

2. Installation and Pre Operation

2.1 Installation

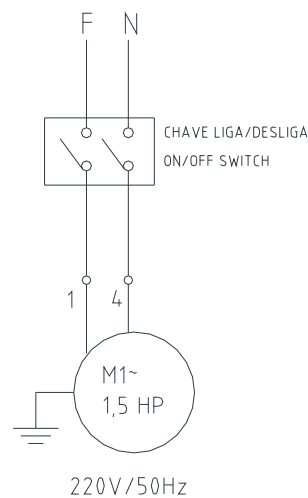
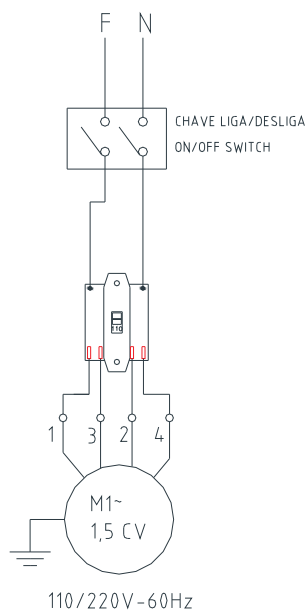
The High Performance Tilting Blenders were developed to be used in both voltages: 110V or 220V. Upon receiving the Blender adjust its voltage according to the one of the power supply source using the Voltage Selector Switch N°04 (Pic. 01) located at the bottom of the machine. Adjust it if necessary.

Grounding is mandatory.

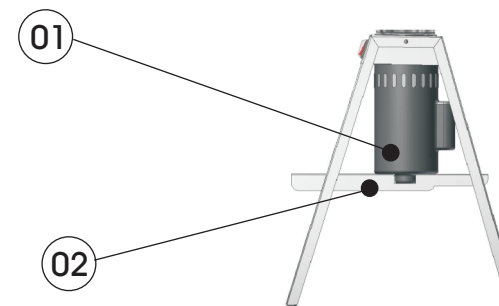
2.2 Pre Operation

First of all check if the Blender is firm on its position. Check if Motor (N°01) is perfectly fitted on the Lock Pedal (N°02) as shown on the Picture below.

5.2 Electric Diagram



Picture -02



01 - Motor
02 - Pedal Lock.

IMPORTANT
Before doing any maintenance in the machine switch it OFF and unplug it.

3. Operation

3.1 Starting

The Blender is activated by turning the On/Off Switch N°03 (Pic.01) to ON position.

3.2 Operating Procedures

The High Performance Tilting Blender works at high speed (approximately 3.500 rpm, 50Hz). To feed it proceed as follows:

- 1 – Remove the Lid N°01 (Pic.01).
- 2 – Put product inside the Cup N°02 (Pic.01) with the machine switched OFF.
- 3 – Place the Lid N°01 (Pic.01) back on top of the Cup and switch the machine ON.

NOTE

Due to turbulence generated when machine is ON do not turn it ON without the Lid N°01 (Pic.01). The processing time depends on the kind of product.

IMPORTANT

NEVER SWITCH THE MACHINE ON WITHOUT LOAD IN IT BECAUSE IT WILL CAUSE IRREPARABLE DAMAGES.

IMPORTANT

It is not recommended to blend products without the addition of any liquid, otherwise it will overheat and damage the Cup seal.

3.3 Discharging Procedures

To discharge processed product from Blender Models proceed as follows:

- 1- Turn machine OFF.
- 2- Remove Lid N°01 (Pic. 01).
- 3- Press Lock Pedal N°07 (Pic. 01) down.
- 4- Tilt Cup N°02 (Pic. 01) holding its handle and discharge processed product as needed.

3.4 Cleaning

The new Blenders cup has stamped ribs that facilitate cleaning. Wash the Lid N°01 and the Cup N°02 (Pic. 01) with water and neutral soap. Wipe up the other parts with a damp cloth.

IMPORTANT

Never do cleaning with machine plugged in. Always unplug machine before cleaning. When washing inside the Cup be careful with the blade.

4.6 Maintenance

4.6.1 Danger

Any maintenance with the machine in working situation is dangerous. TURN IT OFF BY PULLING THE PLUG OFF THE SOCKET DURING MAINTENANCE.

IMPORTANT

Always unplug the machine when emergency cases arise.

4.7 Advice

Electrical or mechanical maintenance must be done by qualified personal for such operation. Person in charge has to be sure that the machine is under TOTAL SAFETY conditions when working.

5 Analysis and Problems Solving

5.1 Problems, causes and solutions

The High Performance Tilting Blenders were designed to operate with the need of minimum maintenance but the natural wearing caused by long use of the equipment may occasionally cause some malfunctions.

If such problem occurs with your Blender refer to Table 02 in which the most common situations are listed with recommended solutions.

Table - 02

Problems	Causes	Solutions
* The machine does not turn on..	*Lack of power. * Problem in the electric circuit of the machine.	* Check if machine is plugged in and if there is power in the power supply source. * Call technical assistance.
* Cup is leaking.	* Damaged seal.	* Call technical assistance.

4.3 Routine Inspection

4.3.1 Advice

When checking the tension of the belts or chains, **DO NOT** introduce your fingers between the belts and the pulleys and nor between the chain and the gears.

4.3.2 Precautions

Check if motors and sliding or turning parts of the machine produce abnormal noises.

Check the tension of the belts and chains and replace the set when belt or chain show signs of being worn out.

When checking tensions of belts or chain **DO NOT** introduce your fingers between belts and pulleys, nor between the chains and gears. Check protections and safety devices to make sure they are working properly.

4.4 Operation

4.4.1 Advice

Be sure your hair is not loose in order to avoid getting caught by turning parts which could lead to a serious accident. Tie your hair well up and/or cover your head with a scarf.

The operation performed by not trained or skilled personnel shall be forbidden.

Never touch turning parts with your hands or in any other way.

NEVER operate machine without all original safety devices under perfect conditions.

4.5 After Finishing The Work

4.5.1 Precautions

Always **TURN THE MACHINE OFF** by removing the plug from the socket before cleaning the machine.

Never clean the machine unless it has come to a **COMPLETE STOP**.

Put all components back to their functional positions before turning it **ON** again. **DO NOT** place your fingers in between belts and pulleys nor chains and gears.

3.4.1 Cautions with Stainless Steel:

The Stainless Steel may present rust signs, which **ARE ALWAYS CAUSED BY EXTERNAL AGENTS**, especially when the cleaning or sanitization is not constant and appropriate.

The Stainless Steel resistance towards corrosion is mainly due to the presence of chrome, which in contact with oxygen allows the formation of a very thin protective coat. This protective coat is formed through the whole surface of the steel, blocking the action of external corrosive agents.

When the protective coat is broken, the corrosion process begins, being possible to avoid it by means of constant and adequate cleaning.

Cleaning must always be done immediately after using the equipment. For such end, use water, neutral soap or detergent, and clean the equipment with a soft cloth or a nylon sponge. Then rinse it with plain running water, and dry immediately with a soft cloth, this way avoiding humidity on surfaces and especially on gaps.

The rinsing and drying processes are extremely important to prevent stains and corrosion from arising.

IMPORTANT

Acid solutions, salty solutions, disinfectants and some sterilizing solutions (hypochlorites, tetravalent ammonia salts, iodine compounds, nitric acid and others), must be AVOIDED, once it cannot remain for long in contact with the stainless steel:

These substances attack the stainless steel due to the **CHLORINE** on its composition, causing corrosion spots (pitting).

Even detergents used in domestic cleaning must not remain in contact with the stainless steel longer than the necessary, being mandatory to remove it with plain water and then dry the surface completely.

Use of abrasives:

Sponges or steel wool and carbon steel brushes, besides scratching the surface and compromising the stainless steel protection, leave particles that rust and react contaminating the stainless steel. That is why such products must not be used for cleaning and sanitization. Scrapings made with sharp instruments or similar must also be avoided.

Main substances that cause stainless steel corrosion:

Dust, grease, acid solutions such as vinegar, fruit juices, etc., saltern solutions (brine), blood, detergents (except for the neutral ones), common steel particles, residue of sponges or common steel wool, and also other abrasives.

4. General Safety Practices

IMPORTANT

If any item from the GENERAL SAFETY NOTIONS section is not applicable to your product, please disregard it.

The following safety instructions are addressed to both the operator of the machine as well as the person in charge of maintenance. The machine has to be delivered to the operator in perfect conditions of use by the Distributor to the user. The user shall operate the machine only after being well acquainted with the safety procedures described in the present manual. READ THIS MANUAL WITH ATTENTION.

4.1 Basic Operation Practices

4.1.1 Dangerous parts

Some parts of the electric devices are connected to high voltage points. These parts when touched may cause severe electrical shocks or even be FATAL.

Never touch commands such as buttons, switches and knobs with wet hands, wet clothes and/or shoes. By not following these instructions operator could be exposed to severe electrical shocks or even to a FATAL situation.

4.1.2 Warnings

The operator has to be well familiar with the position of ON/OFF Switch to make sure the Switch is easy to be reached when necessary. Before any kind of maintenance, physically remove plug from the socket.

Provide space for a comfortable operation thus avoiding accidents. Water or oil spilled on the floor will turn it slippery and dangerous. Make sure the floor is clean and dry.

Before giving any manual command (switch, buttons, turn keys or lever) be sure the command is the correct one. Check this manual for further details if necessary.

Never use a manual command (switch, buttons, lever) unadvisedly. If any work is to be made by two or more persons, coordination signs will have to be given for each operation step. Every step of the operation shall be taken only if the sign has been made and responded.

4.1.3 Advices

In case of power shortage, immediately turn the machine OFF. Use recommended or equivalent lubricants, oils or greases. Avoid mechanical shocks as they may cause failures or malfunction. Avoid penetration of water, dirt or dust into mechanical or electrical components of the machine.

DO NOT MODIFY original characteristics of the machine.

DO NOT REMOVE, TEAR OFF or MACULATE ANY SAFETY or IDENTIFICATION LABELS stuck on the machine. If any label has been removed or is no longer legible, contact your nearest dealer for replacement.

4.2 Safety Procedures and Notes Before Switching Machine ON

IMPORTANT

Carefully read ALL INSTRUCTIONS of this manual before turning the machine ON. Be sure to be familiar with the instructions and that you have well understood all information contained in this manual. If you have any question contact your supervisor or your nearest Dealer.

4.2.1 Danger

An electric cable or electric wire with damaged jacket or bad insulation could cause electrical shocks as well as electrical leak. Before use, check conditions of all wires and cables.

4.2.2 Advices

Be sure ALL INSTRUCTIONS in this manual have been thoroughly understood. Every function and operational procedure have to be very clear to the operator. Contact your nearest Dealer for further questions.

Any manual command (switch, button or lever) shall be given only after being sure it is the correct one.

4.2.3 Precautions

The electric cable has to be compatible with the power required by the machine. Cables touching the floor or close to the machine need to be protected against short circuits.