



METALÚRGICA SIEMSEN LTDA.
CNPJ: 82.983.032/0001-19
Rua Anita Garibaldi, nº 262 - Bairro: São Luiz - CEP: 88351-410
Brusque - Santa Catarina - Brasil
Fone: +55 47 3211 6000 - Fax: +55 47 3211 6020
www.siemsen.com.br - comercial@siemsen.com.br

46167.9 - VERSÃO 01 - 00001 ATÉ 99999 - INGLES

Data de Correção: 26/03/2012

- BESIDES THIS EQUIPMENT, A COMPLETE RANGE OF OTHER PRODUCTS ARE MANUFACTURED , CONSULT OUR DEALERS
- DUE TO THE CONSTANT IMPROVEMENTS INTRODUCED TO OUR EQUIPMENTS , THE INFORMATION CONTAINED IN THE PRESENT
INSTRUCTION MANUAL MAY BE MODIFIED WITHOUT PREVIOUS NOTICE .

WWW.SIEMSEN.COM.BR

INSTRUCTION MANUAL



JUICE EXTRACTOR, STAINLESS STEEL, STAINLESS STEEL LIQUID
CHAMBER

MODEL
ESB

1. Introduction

1.1 Safety

The Juice Extractor Model ESB are machines simple to use and to clean. However for your safety maintenance, cleaning or any other service shall be made only by duly trained people with the extractor unplugged. Read the following instructions in order to avoid accidents:

1.1.1 Read carefully all the instructions

1.1.2 To avoid electric shock risk and damages to the equipment , never operate it wearing wet clothes or shoes , resting on wet surfaces , nor plunge it in water or any other liquid , and do not throw water directly on the equipment.

1.1.3 Any equipment shall always be operated under supervision, principally when used near children.

1.1.4 Unplug the equipment from electric source when: it is not being used, before cleaning or before to insert or remove accessories, and when any maintenance or service is to be done.

1.1.5 Do not operate any equipment having a damaged cord or plug. The cord shall not rest on hot surfaces nor on table edges

1.1.6 If your equipment is failing or has been dropped or damaged any way, take it to Technical Assistance to repair, or for electric or mechanical adjustment.

1.1.7 Using accessories not recommended by the manufacturer, may cause personal injuries.

1.1.8 Before to switch ON the extractor check if the crown # 09 or 10 (Pic. 01) and the liquid chamber # 02 (Pic. 01) are well fitted on their positions .

IMPORTANT

Make sure the electric cord is in perfect usage conditions. In case it is not, have it replaced by another that complies with the technical and safety specifications. This replacement must be carried out by qualified personnel and must attend the local safety standards.

IMPORTANT

This equipment must not be used by individuals with reduced physical, sensorial or mental capabilities nor children. Individuals without proper training and experience must not operate this equipment unless they receive proper training and instructions or are operating it under the supervision of a person who is responsible for their safety.

IMPORTANT

We recommend that children must be constantly monitored to make sure they are not playing with the equipment.

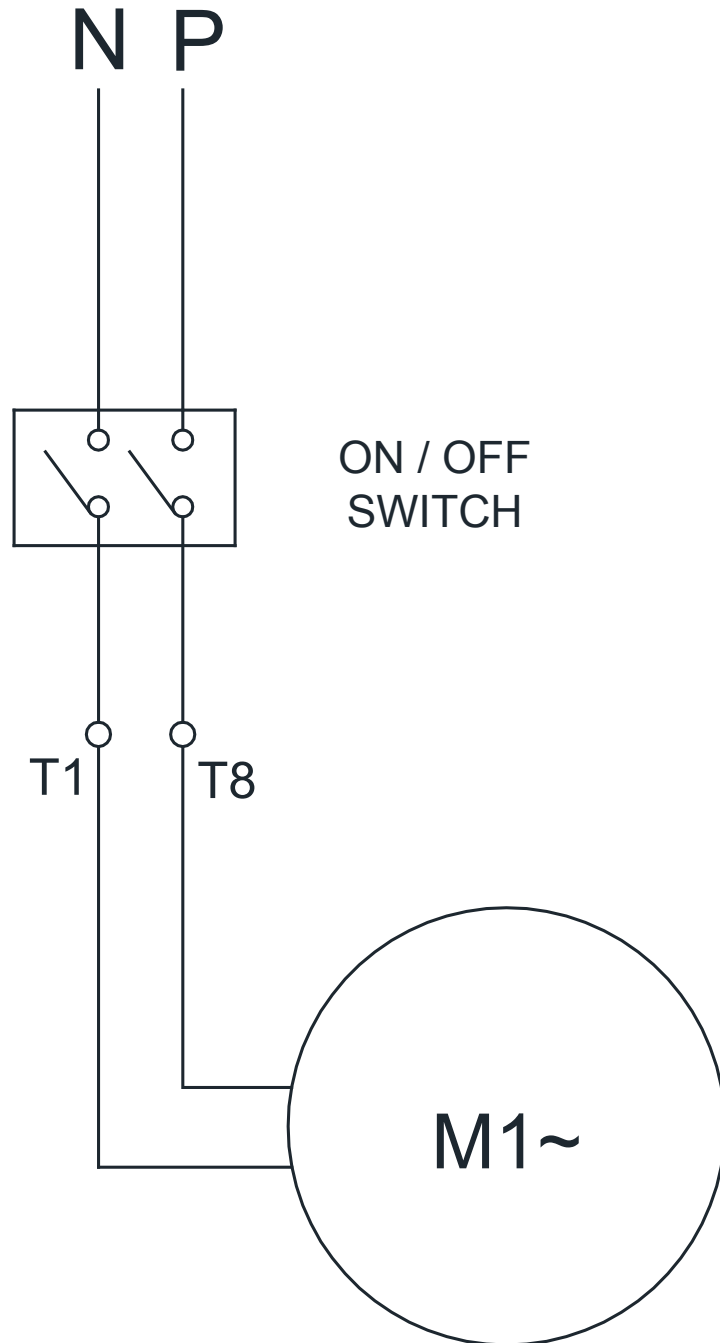
IMPORTANT

Never spray water directly upon the equipment.

IMPORTANT

If any emergency shall arise the plug must be disconnected from the electrical grid.

8. Electric Diagram



1.2 Main Components

All components are made with carefully selected materials, in accordance with Siemens experience and standard testing procedures.



- 01 - Lid
- 02 - Liquid Chamber
- 03 - Motor Support Flange
- 04 - Motor Housing
- 05 - Base

- 06 - ON/OFF Switch
- 07 - Sieve
- 08 - Cup
- 09 - Small Crown
- 10 - Large Crown

1.3 Technical Characteristics

TABLE 01

CHARACTERISTICS	UNIT	ESB
Average Production	Oranges /min.	15
Voltage	V	110 or 220 *
Frequency	Hz	50 or 60 *
Power Rating	W	180
Consumption	kW/h	0,18
Height	mm	400
Width	mm	250
Depth	mm	300
Net Weight	kg	5,5
Shipping Weight	kg	7,3
Speed	rpm	1750

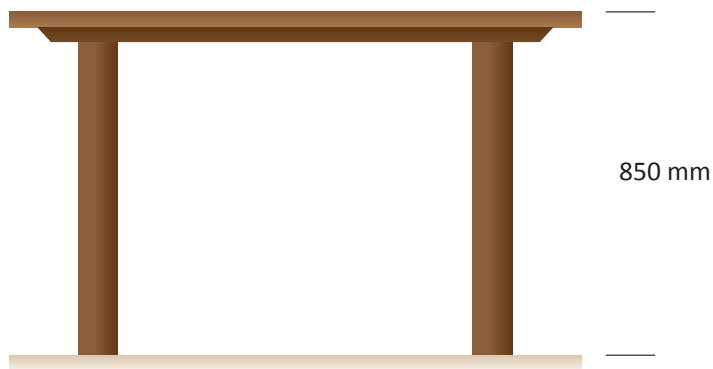
(*) Voltage and frequency are only one , the one the motor is designed for

2. Instalation and Pre-Operation

2.1 Installation

2.1.1 Placing

The equipment must be placed on to a levelled stable surface approximately 850 mm high.



2.1.2 Electrical Installation.

The equipment has been designed to operate 110 Volts or 220 Volts. When you receive the equipment check the voltage indicated on the cord label

The power plug has 2 (two) round pins and one flat pin the last one is the ground . All the 3 (three) pins must be properly connected.

6. Applicable Norms

Brazilian Norm ABNT NBR NM 60335-1

IEC Norm 60335-2-64

7. Maintenance

Maintenance must be considered a set of procedures with the purpose to keep the equipment best operating conditions , therefore increasing the equipment life and safety.

* Cleaning – check item 3,3 Cleaning

* Wiring - Check all wires regarding deteriorate conditions as well as all electric contacts (terminals) regarding tightening and corrosion .

*Contacts – ON/OFF switches, emergency button, reset button , electronic circuits etc , check the equipment in order to assure that all components are correctly working and the equipment operation is normal .

* Installation – make sure the installation followed item 2.1 instructions

1 - Each month check :

- Check the electrical installation
- Measure the voltage at the socket
- Measure the working current and match it with the nominal current
- Check the tightening of all electric terminals to avoid bad contacts
- Check electric motor shaft clearance
- Check the wiring for overeating , insulation failures and mechanical damages .

2 - Each three month checks

- Check electrical components such as ON/OFF switch, emergency button , reset button, electronic electric circuits , overeating, insulation failings, or mechanical damages
- Check bearings clearances
- Check retainers, O'rings, V'rings and other sealings.

TABLE 02

PROBLEMS	CAUSES	SOLUTIONS
- The machine does not start.	- Electric energy shortage; - Problem with the internal or external wiring	- Check electric Energy source. - Call Technical Assistance.
- Burnt smell or smoke.	- Problem with the internal or external wiring.	- Call Technical Assistance.
- The equipment switches ON but when the product is placed it stops or turn slowly.	- Problem with the Electric motor. - Crown grove worn out or broken.	- Call Technical Assistance; - Change the crown .
- Damaged cord	- failure during product transportation.	- Call Technical Assistance.
- Unusual noises.	- Damaged bearings.	- Call Technical Assistance.

IMPORTANT

Make sure the network voltage is the same as indicated on the cord label.

2.2 Pre Operation

Before to use the equipment all the parts to be in contact with the product shall be washed with water and neutral soap (see item 3.3 Cleaning)

Make sure the equipment is stable on the working surface .

3. Operation

3.1 Starting

Make sure the Crown is properly fitted.

To start the operation, turn on the ON/OFF Switch # 05 (Pic-1), located on the Base # 06 (Pic-01).

IMPORTANT

Always wait until the motor complete stop before changing the crown.

3.2 Feeding Procedures

Juice Extractors work with high speed. First, cut the oranges or the lemons in two halves. Turn the machine on, hold half of the fruit and press it down firmly against the crown # 09 or # 10 (Pic-01) and the juice will run into the cup # 08 (Pic-1) going first through the sieve # 07 (Pic-01).

3.3 Cleaning and Sanitizing

IMPORTANT

Never clean the machine when it is connected to the power point, always unplug the machine before cleaning.

The equipment shall be totally cleaned and sanitized :

- Before to be used first time
- After every day's operation
- When it has not been used during a long time
- Before to operate it after a long period unused

Some parts of the equipment may be removed for cleaning , such as:

- Lid
- Juice Chamber
- Crowns

Remove the Lid # 01 (Pic. 01), the Large Crown # 09 or the Small Crown # 10 (Pic. 01) and after the Juice Chamber # 02 (Pic. 01)

Wash all the parts with water and neutral soap .

To assemble follow the inverse path.

IMPORTANT
Never use water jets to wash the extractor.



5. Analysis and Problems Solving

5.1 Problem, causes and solutions

The Juice Extractor Mod. ESB were designed to operate with the need of minimum maintenance but the natural wearing caused by long use of the equipment may occasionally cause some malfunctions.

If such problem occurs with your mixer refer to Table 02 in which the most common situations are listed with recommended solutions.

When checking the tension of belts or chains DO NOT insert your fingers between belts and pulleys, nor between the chains and gears.

Check protections and safety devices to make sure they are working properly.

4.4 Operation

4.4.1 Warnings

Do not use the machine with long hair that could touch any part of the machine. This might lead to a serious accident. Tie your hair up well and/or cover it with a scarf.

Only trained or skilled personnel shall operate this machine.

Never touch turning parts with your hands or any other way, NEVER operate the machine without any original safety devices under perfect conditions.

4.5 After Finishing The Work

4.5.1 Precautions

Always TURN THE MACHINE OFF before cleaning by removing the plug from the socket.

Never clean the machine unless it has come to a complete stop.

Put all the components back to their functional positions before turning the machine ON again.

Check the level of oil.

Do NOT insert your fingers in between belts and pulleys nor chains and gears.

4.6 Maintenance

4.6.1 Danger

Any maintenance with the machine in working situation is dangerous. TURN IT OFF BY PULLING THE PLUG OFF THE SOCKET DURING MAINTENANCE.

IMPORTANT

Always remove the plug from the socket in any emergency situation.

4.7 Warning

Electrical or mechanical maintenance has to be undertaken by qualified personnel. The person in charge of maintenance has to be sure that the machine is under TOTAL SAFETY conditions when working.

3.4 Cautions with Stainless Steel:

The Stainless Steel may present rust signs, which ARE ALWAYS CAUSED BY EXTERNAL AGENTS, especially when the cleaning or sanitization is not constant and appropriate.

The Stainless Steel resistance towards corrosion is mainly due to the presence of chrome, which in contact with oxygen allows the formation of a very thin protective coat. This protective coat is formed through the whole surface of the steel, blocking the action of external corrosive agents.

When the protective coat is broken, the corrosion process begins, being possible to avoid it by means of constant and adequate cleaning.

Cleaning must always be done immediately after using the equipment. For such end, use water, neutral soap or detergent, and clean the equipment with a soft cloth or a nylon sponge. Then rinse it with plain running water, and dry immediately with a soft cloth, this way avoiding humidity on surfaces and especially on gaps.

The rinsing and drying processes are extremely important to prevent stains and corrosion from arising.

IMPORTANT

Acid solutions, salty solutions, disinfectants and some sterilizing solutions (hypochlorites, tetravalent ammonia salts, iodine compounds, nitric acid and others), must be AVOIDED, once it cannot remain for long in contact with the stainless steel.

These substances attack the stainless steel due to the CHLORINE on its composition, causing corrosion spots (pitting).

Even detergents used in domestic cleaning must not remain in contact with the stainless steel longer than the necessary, being mandatory to remove it with plain water and then dry the surface completely.

Use of abrasives:

Sponges or steel wool and carbon steel brushes, besides scratching the surface and compromising the stainless steel protection, leave particles that rust and react contaminating the stainless steel. That is why such products must not be used for cleaning and sanitization. Scrapings made with sharp instruments or similar must also be avoided.

Main substances that cause stainless steel corrosion:

Dust, grease, acid solutions such as vinegar, fruit juices, etc., saltern solutions (brine), blood, detergents (except for the neutral ones), common steel particles, residue of sponges or common steel wool, and also other abrasives.

4. General Safety Practices

IMPORTANT

If any recommendation is not applicable to your equipment, please ignore it.

The following safety instructions are addressed to both the operator of the machine as well as the person in charge of maintenance.

The machine has to be delivered only in perfect conditions of use by the Distributor to the user. The user shall operate the machine only after being well acquainted with the safety procedures described in the present manual. **READ THIS MANUAL WITH ATTENTION.**

4.1 Basic Operation Practices

4.1.1 Dangers

Some areas of the electric device have parts that are connected or have parts connected to high voltage. These parts when touched may cause severe electrical shocks or even be lethal.

Never touch manual commands such as switches, buttons, turning keys and knobs with your hands wearing wet clothes and/or wet shoes. By not following these instructions operator could be exposed to severe electrical shocks or even to a lethal situation.

4.1.2 Warnings

- * The operator has to be well familiar with the position of ON/OFF Switch to make sure the Switch is easy to be reached when necessary.
- * Before any kind of maintenance, physically remove plug from the socket.
- * Provide space for a comfortable operation thus avoiding accidents.
- * Water or oil spilled on the floor will turn it slippery and dangerous. Make sure the floor is clean and dry.
- * Before using any commands (switch, buttons, lever), be sure it is the correct one. In case of doubt, consult this manual.
- * Never touch any manual commands (switch, buttons, lever) unadvisedly.
- * If any work is to be made by two or more persons, coordination signs will have to be given for each operation step. Every step of the operation shall be taken only if a sign has been made and responded.

4.1.3 Advices

- * In case of power shortage, immediately switch the machine off.
- * Use recommended or equivalent lubricants, oils or greases.
- * Avoid mechanical shocks, once they may cause damages or bad functioning.
- * Avoid water, dirt or dust contact to the mechanical and electrical components of the machine.
- * **DO NOT** change the standard characteristics of the machine.

* **DO NOT** remove, tear off or maculate any safety or identification labels stuck on the machine. If any labels have been removed or are no longer legible, contact your nearest dealer for replacement.

4.2 Safety Procedures and Notes before Switching the Machine ON

IMPORTANT

Carefully read ALL INSTRUCTIONS of this manual before turning the machine ON. Be sure to well understand all the information contained in this manual. If you have any question contact your supervisor or your nearest Dealer.

4.2.1 Danger

An electric cable or electric wire with damaged jacket or bad insulation might cause electrical shocks as well as electrical leak. Before use, check the conditions of all wires and cables.

4.2.2 Advices

Be sure to well understand all the information contained in this manual. Every operation function or procedure has to be thoroughly clear.

Before using any commands (switch, buttons, lever), be sure it is the correct one. In case of doubt, consult this manual.

4.2.3 Precautions

The electric cable has to be compatible with the power required by the machine.

Cables touching the floor or close to the machine need to be protected against short circuits.

The oil reservoirs have to be filled until the indicated level. Check and refill if necessary.

OBSERVATION

For your own safety read all the machine stickers.

4.3 Routine Inspection

4.3.1 Advice

When checking the tension of the belts or chains, **DO NOT** insert your fingers between the belts and the pulleys and nor between the chain and the gears.

4.3.2 Precautions

Check the motor and sliding or turning parts of the machine in case of abnormal noises. Check the tension of the belts and chains and replace the set when belts or chains show signs of wearing.