

Lined area for notes or additional information.

**INSTRUCTION MANUAL
MANUAL DE INSTRUCCIONES**



COMMERCIAL ELECTRIC WATER AND OIL DEEP FRYER /
FREIDORA ELÉCTRICA DE AGUA Y ACEITE

MODEL/MODELO

FE25/FE38

691911 - INGLÊS / ESPANHOL
Data de Revisão: 17/02/2025
Metalúrgica Skymssen Ltda.
Rodovia Ivo Silveira 9525
Volta Grande
88355-202 Brusque/SC/Brasil
www.skymssen.com - Fone: +55 47 3211 6000
CNPJ: 82.983.032/0001-19 - IE 250.064.537



DUE TO THE CONTINUOUS DEVELOPMENT OF OUR PRODUCTS, THE INFORMATION CONTAINED HEREIN IS SUBJECT TO CHANGE WITHOUT NOTICE.
DEBIDO A LA CONSTANTE EVOLUCIÓN DE NUESTROS PRODUCTOS, LAS INFORMACIONES CONTENIDAS EN ESTE DOCUMENTO PUEDEN SER
MODIFICADAS SIN PREVIO AVISO.

CONTENTS

1. INTRODUCTION	2
1.1 Safety	2
2. COMPONENTS AND TECHNICAL FEATURES	3
3. INSTALLATION AND PRE-OPERATION	3
3.1 Positioning.....	3
3.2 Leveling	4
3.3 Electrical installation.....	4
3.4 Equipotential terminal.....	4
3.5 Safety System	4
4. OPERATION.....	4
4.1 Levels	5
4.2 Temperatures and loads.....	5
4.3 Activation	5
4.4 Operating Procedures	5
4.5 Special precautions for breaded or flour products.....	5
5. CLEANING	6
5.1 Procedures for removing Oil and Brine.....	6
5.2 Brine exchange procedures	6
5.3 Cleaning procedures	6
6. MAINTENANCE	7
7. TROUBLESHOOTING.....	8
8. ELECTRICAL DIAGRAM	9

1. INTRODUCTION

This product is designed for use in commercial kitchens. It is intended for use, for example, in restaurants, cafeterias, hospitals, bakeries and similar establishments.

Use of this equipment is not recommended in the following cases:

- The production process is continuous at an industrial scale;
- The workplace is an environment with a corrosive and explosive atmosphere, or in which steam, dust, or gas is present.

1.1 Safety

The instructions below must be followed to prevent accidents. Failure to comply with these instructions may cause serious injury:

- 1.1.1** Never use the equipment while clothes or feet are wet and/or on a wet or human surface. Do not immerse fry in water or any other liquid and do not spray water directly onto the equipment.
- 1.1.2** If the equipment is dropped or damaged in any way or does not function properly, it must be brought to an Authorized Technical Assistance Center.
- 1.1.3** The use of accessories not recommended by the manufacturer may cause injury.
- 1.1.4** Keep hands and all utensils away from moving parts during operation to prevent personal injury or damage to the unit.
- 1.1.5** Make sure that the voltage of the equipment and the electrical system are the same and that the equipment is properly grounded.
- 1.1.6** Disconnect the equipment from power supply when changing OIL and BRINE.
- 1.1.7** Never start the equipment without water (brine) and oil.

1.1.8 Never touch or place objects (such as spoons and knives) on the machine's No. 3 resistors (Fig. 1) or in the oil when the equipment is switched on or while cooling, as resistors will be hot and may cause burns.

⚠ This appliance is not intended for use by persons (including children) with reduced physical, sensory or mental capabilities, or those lacking the necessary experience and knowledge, unless such persons have received instructions in use of the appliance or are supervised by a person responsible for their safety.

⚠ It is recommended that children be supervised to ensure that they do not play in and around the appliance.

⚠ Equipment must be connected from the power supply in the following situations: when not in use, before cleaning, when inserting or removing accessories, during maintenance, and when performing any other type of service.

⚠ Do not use the equipment if cables or plugs are damaged. If cables or plugs are damaged, they must be replaced with another item that meets technical and safety specifications. Cables or plugs must be replaced by a qualified professional and must meet local safety standards. Ensure that the power cord does not remain on the edge of the table/counter or come into contact with hot surfaces.

⚠ In case of emergency, disconnect the equipment from the power outlet.

⚠ Do not immerse this unit in water during cleaning.

⚠ This equipment must not be steam cleaned.

⚠ We recommend that the establishment where this equipment is installed/used be equipped with class K FIRE EXTINGUISHERS (USA standard) or in accordance with existing standards and requirements of local legislation.

⚠ Ensure that the equipment's oil level remains at the indicated level, as oil levels below those specified may result in fire.

⚠ Care must be taken to control excessive boiling when feeding wet or frozen food into the equipment.

⚠ The fryer's oil must also be changed since old oil may have a lower flash point and may be more conducive to excessive boiling.

⚠ This appliance must be installed and used in such a manner that water does not come into contact with grease or oil.

⚠ Periodically check the condition of cables and electrical parts.

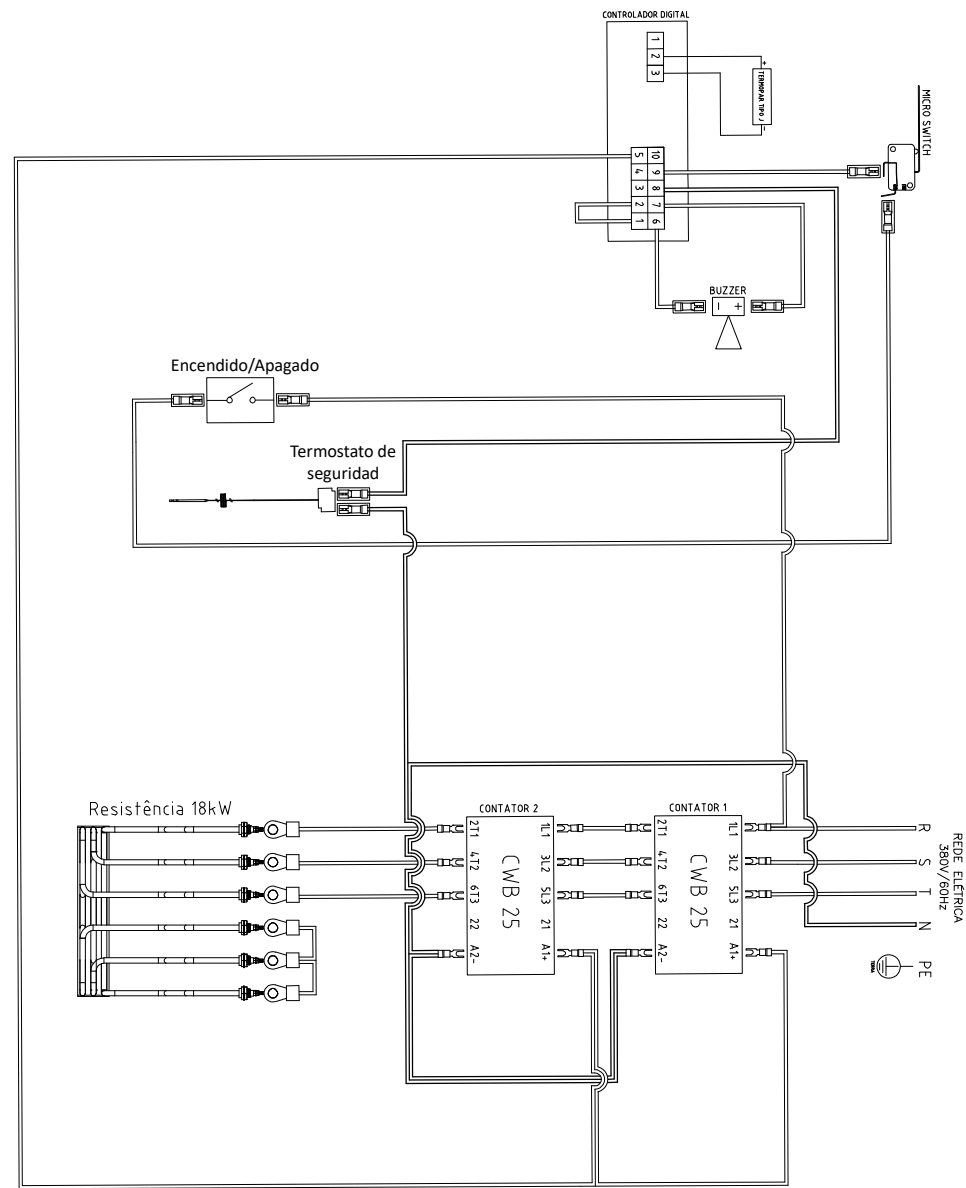
⚠ Operators must use the appropriate PPEs (Personal Protective Equipment), such as: anti-slip boots, among other equipment according to local legislation.

⚠ Avoid splashing oil on the floor, as this may cause slips and accidents. If oil is spilled, clean the floor immediately.

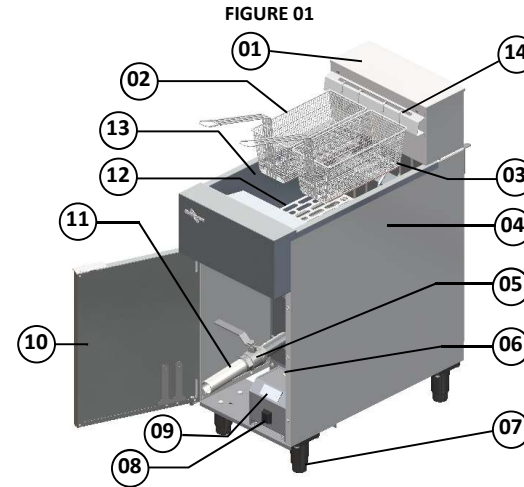
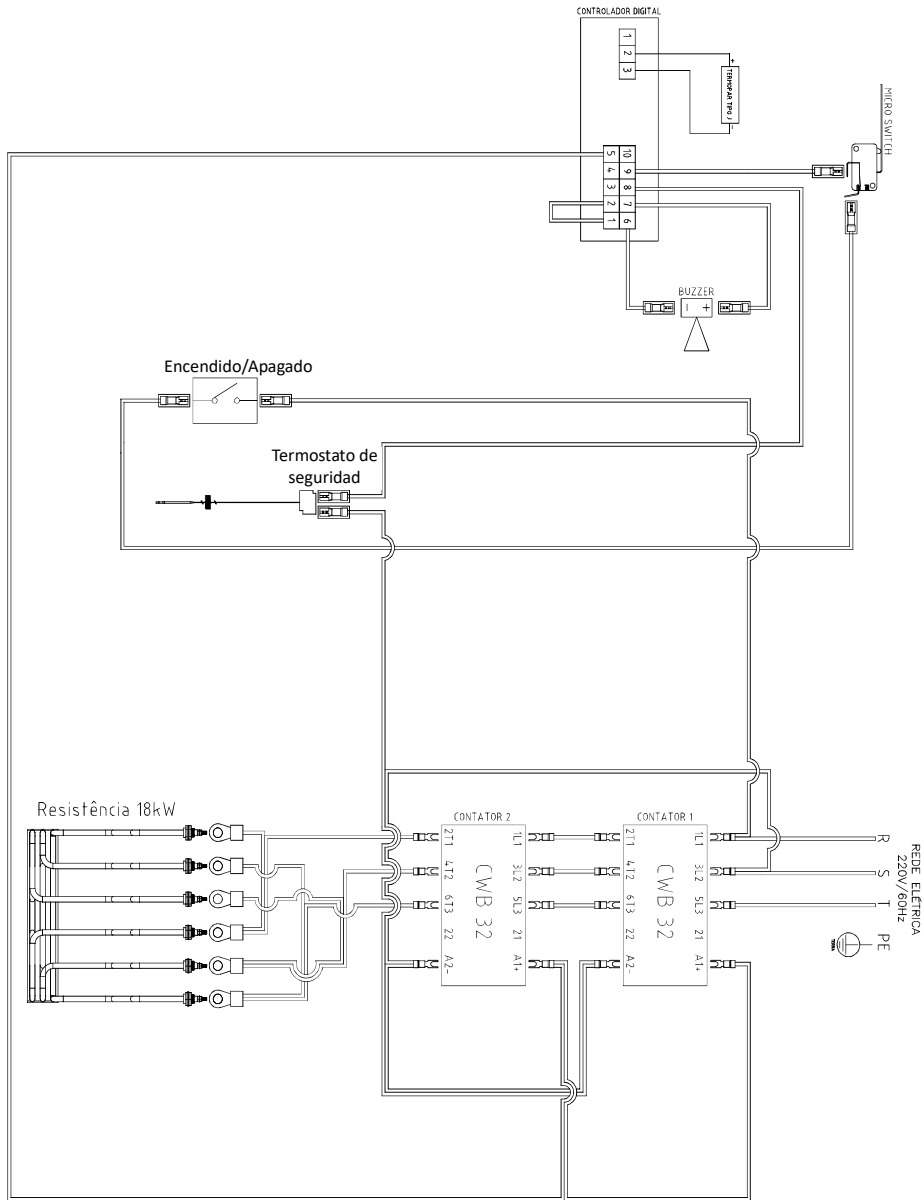
⚠ During equipment installation, it is essential that this manual be made available to the professionals performing installation.

⚠ After reading and clarifying all questions and concerns, this manual must be carefully stored in an easily accessible area, the location of which is known by those operating the appliance. This manual must also be made available to the people who will perform maintenance, for consultation.

FE38 380V-T/60Hz



2. COMPONENTS AND TECHNICAL FEATURES



- 1 – Mobile header
- 2 – Deep fryer basket
- 3 – Resistance
- 4 – Cabinet
- 5 – 1.1/4" Register
- 6 – Thermostat Reset Safety
- 7 – Adjustable Foot
- 8 – On/off switch
- 9 – Digital controller
- 10 – Hatch
- 11 – Outlet drain
- 12 – Grille
- 13 – Tank
- 14 – Basket rack

TABLE 01

CHARACTERISTICS	UNIT	FE25 380V-T	FE25 220V-T	FE38 380V-T	FE38 220V-T
Maximum load per basket	kg	1	1	1	1
Number of baskets	UNIT	2	2	3	3
Voltage (three-phase)	V	380	220	380	220
Frequency	Hz	60	60	60	60
Rated Power	W	15 000	15 000	18 000	18 000
Height	mm	1055	1055	1055	1055
Width	mm	400	400	575	575
Depth	mm	850	850	850	850
Net Weight	Kg	36	36	46	46
Gross Weight	kg	52	52	74	74
Heating Time	min	8	8	12	12
Amount of water	L	5	5	6	6
Maximum oil quantity	L	25	25	38	38
Minimum oil quantity	L	21	21	32	32
Amount of coarse salt	kg	0,5	0,5	0,5	0,5

3. INSTALLATION AND PRE-OPERATIONAL PROCEDURES

⚠ Connections to the power grid and availability for operation must be executed by a qualified professional.

⚠ During equipment installation, it is essential that this manual be made available to the professionals performing installation.

3.1 Positioning

Equipment must be positioned and leveled on a dry, firm surface away from sinks or workbenches that could cause water to splash onto the fryer. It is also recommended that equipment be installed under a hood or exhaust fan according to the manufacturer's instructions.

Keep equipment away from the wall, leaving a minimum space of 20 cm at the rear and sides of equipment, as shown in Fig. 2.

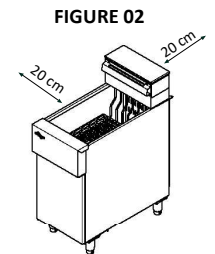


FIGURE 02

3.2 Leveling

The equipment is equipped with feet with an adjustable height (Fig. 3).

The equipment's feet may be adjusted using a 40 mm wrench. Level the fryer with the aid of a level, as it is important that heat be distributed evenly.

FIGURE 03



FE25 380V-T/60Hz

3.3 Electrical installations

This equipment is provided with a power cord. The power cable is fitted with 4 or 5 veins. The GREEN VEIN WITH A YELLOW STRIPE must be connected to the grounding system. It is mandatory that all veins be properly connected to the power supply before connecting the equipment.

When connecting to the power grid, veins must be connected directly to a three- or four-pole Curve B circuit breaker (exclusively used for resistive loads) according to the specifications shown in the table below. This circuit breaker must be installed according to the current standard ABNT NBR 5410.

TABLE 02

TECHNICAL FEATURES	MODEL			
	FE25 380V-T	FE25 220V-T	FE38 380V-T	FE38 220V-T
Installation circuit breaker	32A Tetrapolar	50A Tripolar	40A Tetrapolar	63A Tripolar
Power supply voltage	380V-T	220V-T	380V-T	220V-T
Minimum conductor section length (Wire gauge)	5x6mm ²	4x10mm ²	5x6mm ²	4x10mm ²

⚠ Install equipment according to item 3.3 of this instruction manual.

⚠ Check that the power supply (circuit breaker, wires and sockets) is able to support this equipment's power/current.

⚠ If the above items are not observed, irreparable damage to the establishment and equipment or injuries to the operator may occur.

Occurrences of this type are not covered by the product warranty.

3.4 Equipotential terminal

Fig. 4 presents the equipment's external equipotential bonding terminal.

The terminal must be used to ensure that there is no potential difference between different equipment connected to the power grid, thereby minimizing the risk of electric shocks.

Different equipment must be connected to one another by their respective equipotential bonding terminals.

FIGURE 04



3.5 Safety System

This product is also equipped with a safety thermostat that switches off the electrical resistance whenever the oil temperature reaches the maximum allowed limit.

If during the normal process of using the fryer, the equipment switches off and does not restart, i.e., the oil does not reheat, press the on/off switch, disconnect the machine from the power supply and allow the oil to cool.

Press the Reset Button (Fig. 5) and observe if the button moves inwards, producing a "clicking" sound. This indicates

that the safety thermostat has been activated. Suspend use of the equipment and bring it to the nearest Authorized Service Center.

FIGURE 05



⚠ This equipment is equipped with a safety system that ensures operator safety. The equipment must be operated in accordance with the "Operation" section of this manual. The use of other procedures to operate equipment is unsafe. The equipment must not be used in

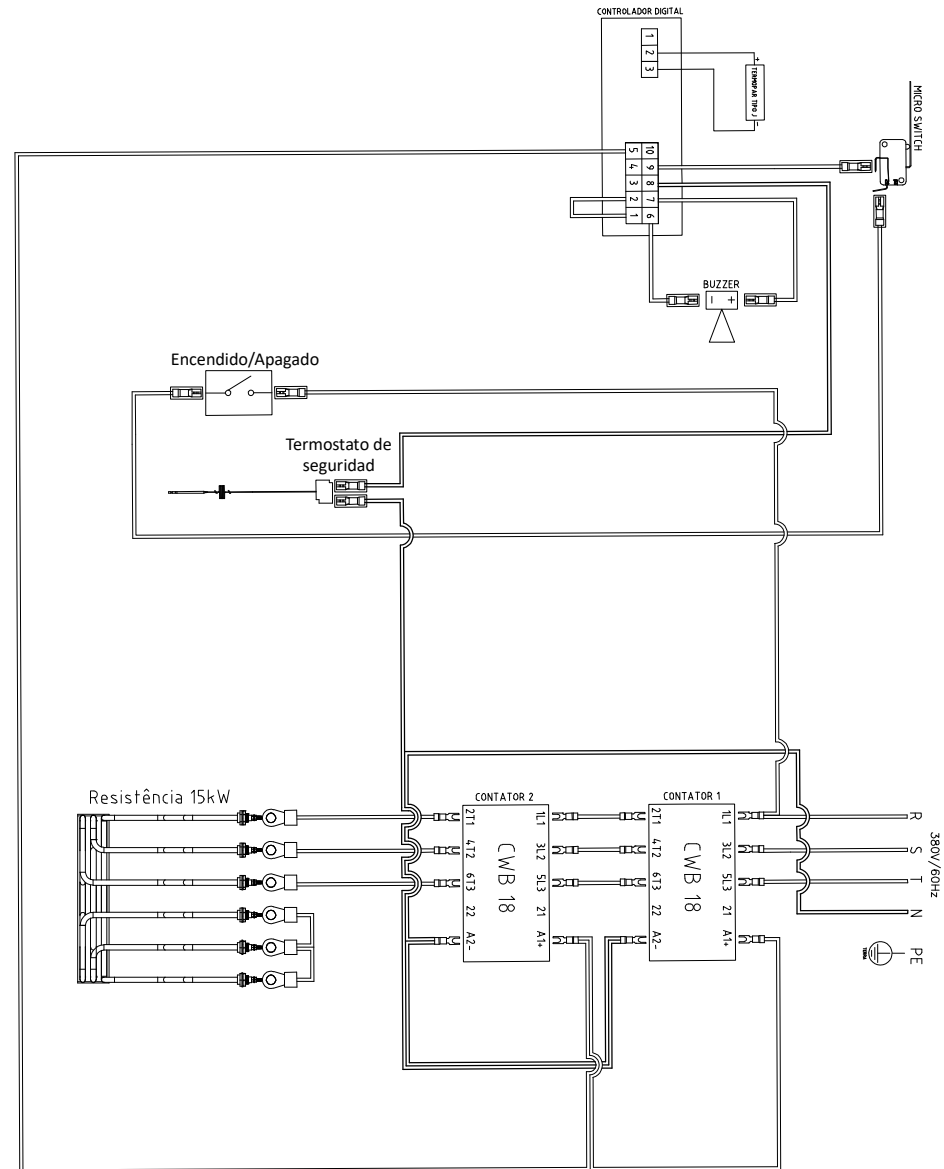
4. OPERATION

- Check that equipment is secure within the work area.
- Before using the equipment, wash all parts that come into contact with the product to be processed using a neutral soap and water.
- Switch the circuit breaker for the equipment's power supply off.

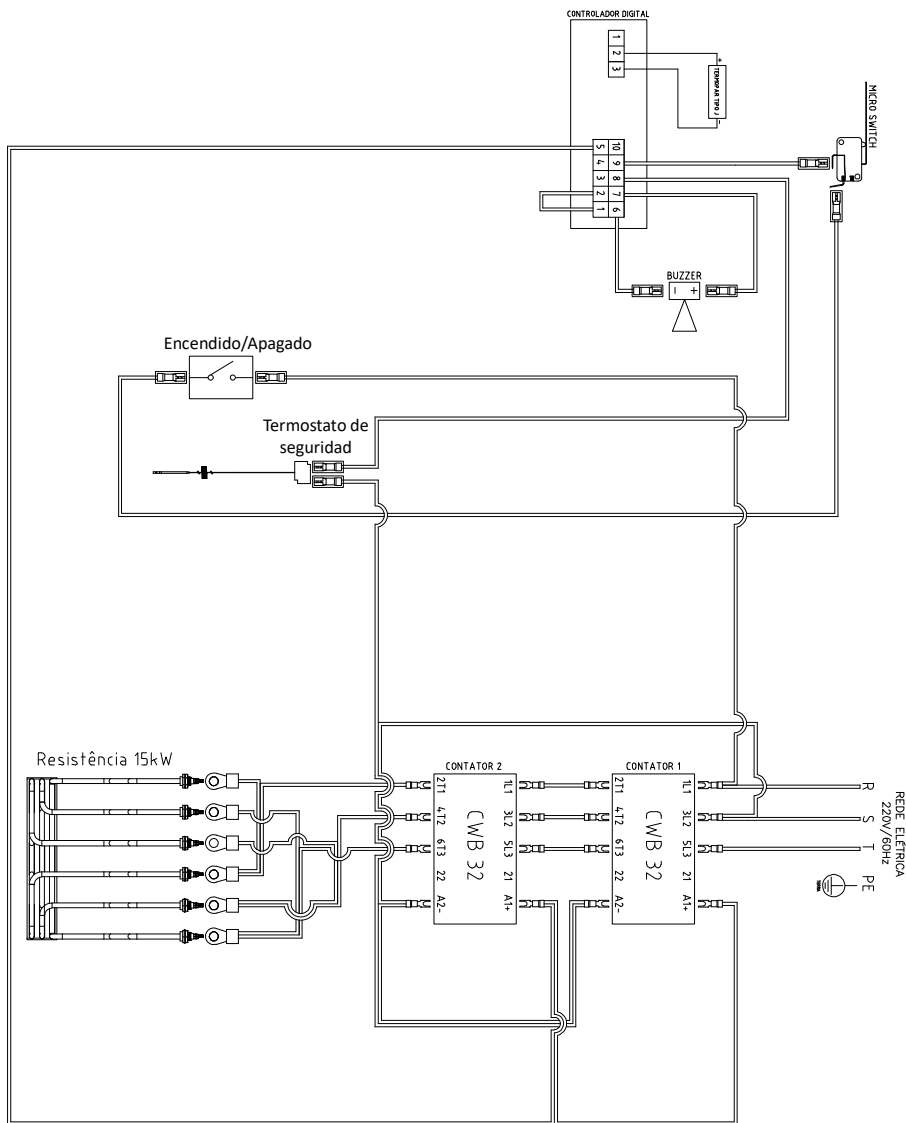
⚠ Before filling the equipment with BRINE and OIL, check that the 1.1/4" N°05 (Fig. 1) register is closed to prevent leaks.

Dissolve coarse salt in water in a container, according to the specifications indicated for each model in Table 3. Insert the solution into the tank up to the level indicated in (Fig. 6).

Next insert the oil in the quantities indicated for each model, filling the fryer up to the maximum level as shown in Table 3.



8. DIAGRAMA ELÉCTRICO
FE25 220V-T/60Hz



⚠ Use edible frying oils, preferably vegetable oil. Animal fat must not be used as it may cause accidents. Wait at least 30 min to allow water to separate from oil.

TABLE 03

SPECIFICATIONS	MODEL			
	FE25 380V-T	FE25 220V-T	FE38 380V-T	FE38 220V-T
Quantity of Water	5L	5L	6L	6L
Maximum Oil Qty.	25L	25L	38L	38L
Minimum Oil Quantity	21L	21L	32L	32L
Amount of Coarse Salt	0,5kg	0,5kg	0,5kg	0,5kg

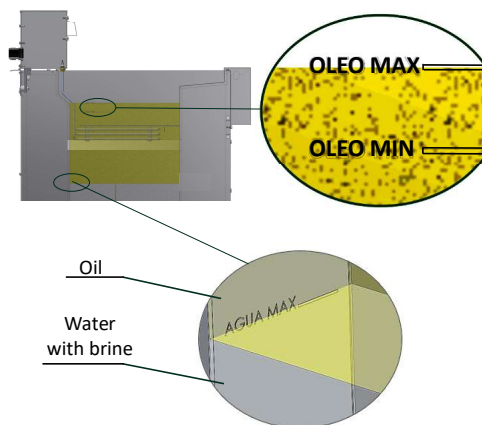
4.1 Levels

⚠ There is a risk of fire if the equipment oil level is below the minimum level. Always respect the minimum and maximum oil level as indicated inside the tank, as shown in Fig. 06.

⚠ Ensure the equipment water level with brine remains below that indicated, as excessive levels may cause boiling and serious accidents.

The maximum water level with brine is indicated inside the tank, as shown in (Fig. 06).

FIGURE 06



4.2 Temperatures and loads

It is recommended that the oil temperature does not exceed 180°C in order to extend oil's service life. It is recommended to that the oil temperature be kept below 80°C when not frying or waiting between frying operations.

In order to prevent oil overflow, always respect the maximum load of 1.0 kg per fryer basket.

4.3 Activation

Press the on/off switch to switch the product on. Operators can then adjust the working temperature using the digital controller's keypad (Fig. 7).

FIGURE 07



^ v keys are used to increase / decrease the oil temperature value up to 200 °C (maximum value).

To program a timer, simply press the PGM key, then press the ^ v keys to increase / decrease the frying time up to 20 minutes (maximum value).

The F key activates the equipment's timer.

At the end of the scheduled time, an audible alarm will sound to warn the operator that the scheduled period has ended.

⚠ This audible alarm will not switch off the resistors.

4.4 Operating Procedures

Once the oil has reached the temperature indicated on controller No. 9 (Fig. 1), introduce the products to be fried into the deep fryer basket No. 2 (Fig. 1). Lower one basket at a time into Tank No.13 (Fig. 1) and allow to fry for the period of time indicated for each product.

Special CARE must be taken when introducing the products to be fried once the oil has heated. Products must be GRADUALLY placed into the fryer (slowly). Care must be taken to avoid bubbling. If bubbling occurs, lift the fryer basket(s) then reintroduce them into the oil. Repeat this operation as many times as necessary. Bubbling will be intense when the products are introduced at a low temperature.

⚠ Never pour water onto hot oil, or move the fryer during use. Risk of fire and serious accidents. Do not shake baskets when they are immersed in the oil to prevent the oil from mixing with the water and causing splashing or overflow.

After the product has completely fried, switch off the fryer and rest the basket on rack No.14 (Fig. 1) to eliminate excess oil.

4.5 Special precautions for breaded or flour products

It is recommended that excess flour be removed from breaded products before they are placed in fryer baskets.

During the frying process of breaded or flour-coated foods, it is essential to that the condition of the resistor be monitored. These foods can release excess waste that builds up on resistors, resulting in a dark, burnt appearance. It is essential that resistors be cleaned according to section 5.2 cleaning procedures.

5. CLEANING

⚠ Before cleaning, make sure that the fryer is disconnected from the power supply, turning off the circuit breaker and allowing oil to fully cool before starting the procedure.

⚠ Do not spray water directly onto the equipment.

Equipment must be thoroughly cleaned and sanitized:

- Before first use;
 - After the operation of each day;
 - Whenever it is not used for an extended period of time;
 - Before restarting after an extended period of inactivity.
- Wash all parts with mild soap and water.

5.1 Procedures for removing Oil and Brine

⚠ Do not open the 1.1/4" Register No. 5 (Fig. 1) until the oil has reached room temperature.

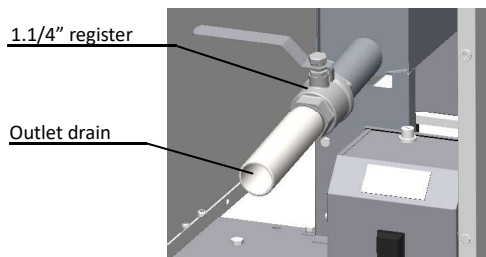
⚠ Opening the drain tap will remove heated contents from the fryer.

⚠ According to the National Solid Waste Policy, the disposal of waste is the responsibility of the person/entity that generated it. Do not dispose of oil incorrectly. Oil must be sent to a licensed recycler.

⚠ To clean the equipment, first remove the BRINE and then the OIL.

After the oil has completely cooled and equipment is disconnected from the power supply, screw the outlet drain into the valve and position the container near the drain. Open the valve and allow the brine and oil to drain until the tank is empty, as shown in (Fig. 08). To separate the oil, allow the brine drain, close the valve, insert a container to collect the oil, and reopen the valve.

FIGURA 09



5.2 Brine exchange procedures

⚠ BRINE must be changed at a minimum every three (3) days. To improve frying quality, it is recommended that the equipment's water and salt mixture be changed daily with the fryer switched off after oil has cooled.

⚠ The fryer's oil must also be changed since old oil may have a lower flash point and may be more conducive to excessive boiling.

To remove the brine, screw the outlet drain into the valve and position a container below the valve. Open the valve to remove the brine and frying residues as shown in (Fig. 08). Record the time at which the oil begins exiting the outlet. Close the register and introduce new brine over **completely cold oil**, following the guidelines in section 4 Operation and Table 3.

⚠ Before operating the equipment, wait at least 30 min to allow water to separate from the oil. If the oil is not completely separated, excessive boiling and serious accidents may occur.

⚠ Do not spray water directly onto the equipment.

5.3 Cleaning procedures

To facilitate the cleaning and removal of residues, the equipment's resistor may be tilted (Fig. 9).

FIGURE 09



With the tank empty, close the valve and clean the inside of the tank using neutral soap and non-abrasive sponge. Place a container in the register and lower drain to collect soap.

Rinse the inside of the tank and dry with a dry, soft cloth.

The remaining parts of the fryer must only be cleaned with a damp cloth and mild soap. The basket and grille are removable parts and may be washed separately with water and mild soap.

7. SOLUCIÓN DE PROBLEMAS

CUADRO 02

PROBLEMAS	CAUSAS	SOLUCIONES
- La máquina no se enciende.	- Falta de energía eléctrica. - Problema en el circuito eléctrico interno o externo de la máquina. - Resistencia o termostato quemados.	- Verifique si hay energía eléctrica. - Llame a Asistencia Técnica Autorizada. - Llame a Asistencia Técnica Autorizada.
- Olor a quemado y/o humo.	- Problema en el circuito eléctrico interno o externo de la máquina.	- Llame a Asistencia Técnica Autorizada.
- Cable eléctrico dañado.	- Falla durante el transporte del producto.	- Llame a Asistencia Técnica Autorizada.
- El agua y el aceite hierven.	- Problema con el termostato de temperatura y en el termostato de seguridad.	- Llame a Asistencia Técnica Autorizada.
- El aceite hierve y rebosa.	- Exceso de residuos en la salmuera.	- Cambie la salmuera..
- Aceite nuevo con residuos quemados.	- Resistencia con aspecto oscuro o quemado.	- Limpieza de la resistencia según el tema 5.2.

⚠ Es fundamental controlar y limpiar la resistencia con mayor frecuencia para evitar problemas de rendimiento y la liberación de residuos quemados en las próximas frituras. La limpieza de la resistencia se puede llevar a cabo con detergente neutro y con la ayuda de una esponja Scotch-Brite.

Escanee el código QR de al lado para obtener informaciones sobre el cuidado del acero inoxidable.



6. MANTENIMIENTO

El mantenimiento debe considerarse un conjunto de procedimientos destinados a mantener el equipo en las mejores condiciones de funcionamiento, proporcionando una mayor vida útil y de seguridad.

- * Limpieza – Verificar el punto 5 Limpieza de este manual.
- * Cableado – Revise todos los cables en busca de deterioro y todos los contactos eléctricos (terminales) en busca de hermeticidad y corrosión.
- * Contactos – Interruptor ON/OFF, botón de emergencia, botón de reinicio, circuitos electrónicos, etc. Verifique el equipo para que todos los componentes funcionan correctamente y que el funcionamiento del aparato sea normal.
- * Instalación – Verifique la instalación de tu equipo de acuerdo con el punto 2 Instalación y preoperación de este manual.

1 - Elementos a verificar y ejecutar mensualmente:

- Verificar la instalación eléctrica;
- Medir el voltaje del tomacorriente;
- Medir la corriente de funcionamiento y compárela con la nominal;
- Verificar el apriete de todos los terminales eléctricos del aparato, para evitar posibles contactos defectuosos;
- Revisar el cableado y el cable eléctrico en busca de signos de sobrecalentamiento, aislamiento deficiente o falla mecánica.

2 - Elementos a revisar o ejecutar cada 3 meses:

- Verificar los componentes eléctricos como el interruptor ON/OFF, el botón de emergencia, el botón reset y el circuito electrónico en busca de signos de sobrecalentamiento, aislamiento deficiente o falla mecánica.
- Verifique las posibles holguras en los cojinetes y rodamientos.
- Verificar los retenedores, juntas tóricas y otros sistemas de sellado.
- Verifique el apriete de todos los tornillos y tuercas para evitar posibles daños al equipo.

Escanee el código QR en el lateral para obtener informaciones básicas de seguridad y mantenimiento



⚠ It is essential that resistors be monitored and cleaned more frequently to avoid performance-related issues and the release of burnt residues in fried foods. Resistors may be cleaned with neutral soap and a Scotch-Brite sponge.

Scan the QR Code on the side for information on stainless steel care.



6. MAINTENANCE

Maintenance should be viewed as a set of procedures designed to keep equipment in the best possible operating condition, thereby increasing life and safety.

- * Cleaning - See section 5 Cleaning in this manual.
- * Wiring – Check all cables for deterioration and all electrical contacts (terminals) for tightness and corrosion.
- * Contacts – On/off switch, emergency button, reset button, electronic circuits, etc. Check the equipment so that all components are working properly and that the operation of the appliance is normal.
- * Installation – Verify equipment installation according to this manual's item 2 Installation and Pre-Operation.

1 - Items to be checked and executed monthly:

- Check the electrical installation;
- Measure the outlet voltage;
- Measure operating current and compare with rated current;
- Check tightness of all electrical terminals of the device, to avoid possible bad contacts;
- Check wiring and electrical cable for signs of overheating, poor insulation or mechanical breakdown.

2 - Items to check or run every 3 months:

- Check electrical components such as on/off switch, emergency button, reset button and electronic circuit for signs of overheating, poor insulation or mechanical failure.
- Check possible clearances in the bearings.
- Check seals, O-rings, v-rings and other sealing systems.
- Check that all screws and nuts are tight to avoid possible damage to the equipment.

Scan the QR Code on the side for basic safety and maintenance information.



7. TROUBLESHOOTING

TABLE 02

PROBLEMS	CAUSE	TROUBLESHOOTING
- The machine will not start.	- Lack of electricity. - Issue in machine's internal or external electrical circuit. - Resistance or thermostat burnt out.	- Check for Electricity. - Call Authorized Technical Assistance Center. - Call Authorized Technical Assistance Center.
- Smell of burning and/or smoke.	- Issue in machine's internal or external electrical circuit.	- Call Authorized Technical Assistance Center.
- Damaged power cord.	- Failure during product transport.	- Call Authorized Technical Assistance Center.
- Water and oil boiling.	- Issue with temperature and safety thermostats.	- Call Authorized Technical Assistance Center.
- Oil boiling and overflowing.	- Excess residue in brine.	- Change brine.
- Burnt residue in new oil.	- Resistance with dark or burnt appearance.	- Clean resistor according to section 5.2.

4.5 Cuidados esenciales con productos empanados o harinados.

Se recomienda eliminar el exceso de harina de los productos harinados tipo "milanesa" antes de ponerlos en los cestos de fritura.

Durante el proceso de fritura de alimentos empanados o recubiertos de harina, es esencial controlar el estado de la resistencia. Estos alimentos pueden liberar el exceso de desechos que se acumulan en la resistencia, lo que resulta en una apariencia oscura y quemada. **Es fundamental limpiar la resistencia de acuerdo con el tema 5.2 - Procedimientos de limpieza.**

5. LIMPIEZA

⚠ **Antes de limpiar, asegúrese de que la freidora esté desconectada de la red eléctrica, apagando el disyuntor y con aceite completamente frío, antes de iniciar el procedimiento.**

⚠ **No utilice chorros de agua directamente sobre el equipo.**

El equipo debe limpiarse y desinfectarse a fondo:

- Antes de ser usado por primera vez;
- Después de la operación de cada día;
- Siempre que no se use durante un periodo prolongado;
- Antes de ponerlo en funcionamiento después de un tiempo de inactividad prolongado. Lave todas las partes con agua y jabón neutro.

5.1 Procedimientos para retirar el aceite y la salmuera

⚠ **No abra el registro 1.1/4 " N° 05 (Fig. 01) hasta que el aceite haya alcanzado la temperatura ambiente.**

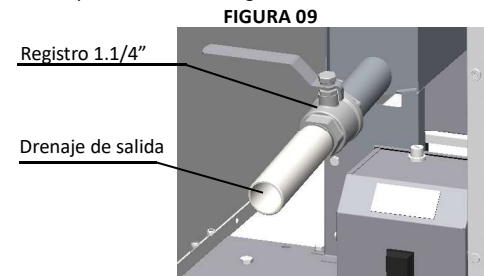
⚠ **Al abrir el grifo de drenaje permitirá que salga el contenido caliente de la freidora.**

⚠ **De acuerdo con la Política Nacional de Residuos Sólidos, la disposición de los residuos es responsabilidad del generador. No deseche el aceite incorrectamente, envíelo a un reciclador autorizado.**

⚠ **Para limpiar el equipo, primero retire la SALMUERA y luego el ACEITE.**

Después de completar el enfriamiento del aceite y desconectarlo de la red, enrosque el drenaje de salida en el registro, coloque el recipiente cerca del drenaje, luego abra el registro y permita que la salmuera y el aceite fluyan hasta dejar vacío el depósito, como se muestra en (Fig. 08).

Si desea separar el aceite, deje que toda la salmuera drene, cierre el registro, coloque un recipiente para recoger el aceite y vuelva a abrir el registro.



5.2 Procedimientos para el cambio de salmuera

⚠ **El período de cambio de SALMUERA no debe exceder 3 (tres) días. Para mejorar la calidad de la fritura, se recomienda cambiar diariamente la mezcla de agua y sal, siempre con la freidora apagada y con el aceite frío.**

⚠ **El ACEITE también debe cambiarse, ya que el aceite viejo puede tener un punto de inflamación reducido y puede ser más propicio para los brotes de ebullición.**

Para retirar la salmuera, enrosque el drenaje de salida en el registro, coloque un recipiente y luego abra el registro para retirar la salmuera y los residuos de fritura de acuerdo con (Fig. 08). Observe el instante en que el aceite comienza a salir. En ese momento, cierre el registro y ponga una nueva salmuera sobre el **aceite totalmente frío**, siguiendo las orientaciones del tema 4 Funcionamiento y el Cuadro 03.

⚠ **Antes de operar el equipo, espere al menos 30 min. para la separación del agua del aceite. Si el aceite no está completamente separado, puede causar brotes de ebullición y accidentes graves.**

⚠ **No utilice chorros de agua directamente sobre el equipo.**

5.3 Procedimientos de limpieza

Para facilitar la limpieza y eliminación de los residuos, el equipo permite inclinar la resistencia (Fig. 09).

FIGURA 09



Con el depósito vacío, cierre el registro y, con jabón neutro y esponja no abrasiva, limpie el interior del depósito. Use un recipiente en el registro y el drenaje inferior para la recojo del jabón.

Enjuague el interior del depósito y luego séquelo con un paño seco y suave.

Las otras partes de la freidora solo deben limpiarse con un paño húmedo y jabón suave. El cesto y la rejilla son piezas extraíbles, y es posible lavarlas por separado con agua y jabón neutro.

⚠ Utilice aceites de fritura comestibles, preferiblemente aceite vegetal. No se debe usar grasa animal, ya que puede causar accidentes al operador. Espere al menos 30 minutos para que el agua se separe del aceite.

CUADRO 03

ESPECIFICACIONES	MODELO			
	FE25 380V-T	FE25 220V-T	FE38 380V-T	FE38 220V-T
Cantidad de agua	5L	5L	6L	6L
Cant. máxima de aceite	25L	25L	38L	38L
Cant. mínima de aceite	21L	21L	32L	32L
Cantidad de sal gruesa	0,5kg	0,5kg	0,5kg	0,5kg

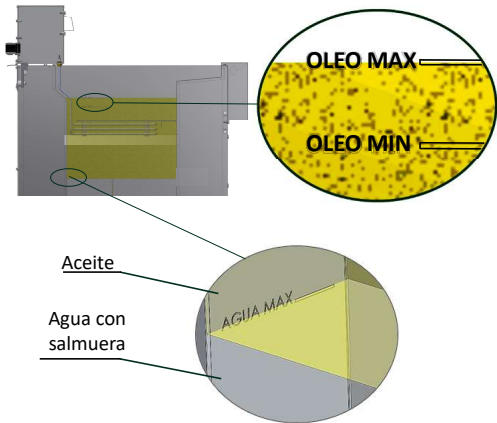
4.1 Niveles

⚠ Existe peligro de incendio si el nivel de aceite está por debajo del nivel mínimo. Respete siempre el nivel mínimo y máximo de aceite como se indica dentro del tanque, como se ilustra en la Fig. 06.

⚠ Mantenga siempre el nivel del agua con salmuera por debajo de lo indicado, ya que pueden causar brotes de ebullición, incluso accidentes graves.

El nivel máximo de agua con salmuera se encuentra dentro del depósito, de acuerdo con la (Fig. 06).

FIGURA 06



4.2 Temperaturas y cargas

Se recomienda que la temperatura del aceite no exceda los 180°C para una mayor vida útil del aceite. Cuando no se fría o se espera entre una fritura y otra, se recomienda mantener la temperatura del aceite por debajo de 80°C. Para evitar el desbordamiento de aceite, respete siempre la carga máxima de 1,0 kg por cesto.

4.3 Accionamiento

Para encender el producto, basta presionar el interruptor ON/OFF, enseguida el usuario puede ajustar la temperatura de trabajo a través de las teclas del controlador digital (Fig. 07).

FIGURA 07



Las teclas ^ v se utilizan para aumentar / disminuir el valor de la temperatura del aceite hasta 200 °C (valor máximo).

Si el usuario desea programar un temporizador, simplemente presione la tecla PGM, luego presione las teclas ^ v para aumentar / disminuir el valor del tiempo de fritura hasta 20 minutos (valor máximo).

La tecla F activa el temporizador.

Una vez finalizado el tiempo programado, se emitirá una alarma sonora para avisar al usuario de que el tiempo programado ha finalizado.

⚠ Esta alarma sonora no apagará las resistencias.

4.4 Procedimientos para el funcionamiento

Después de que el aceite haya alcanzado la temperatura indicada en el controlador N° 09 (Fig. 01), introduzca los productos a freír dentro del cesto N° 02 (Fig. 01) y luego sumerja un cesto a la vez en el Tanque N° 13 (Fig. 01), dejando el tiempo de fritura de acuerdo con cada producto.

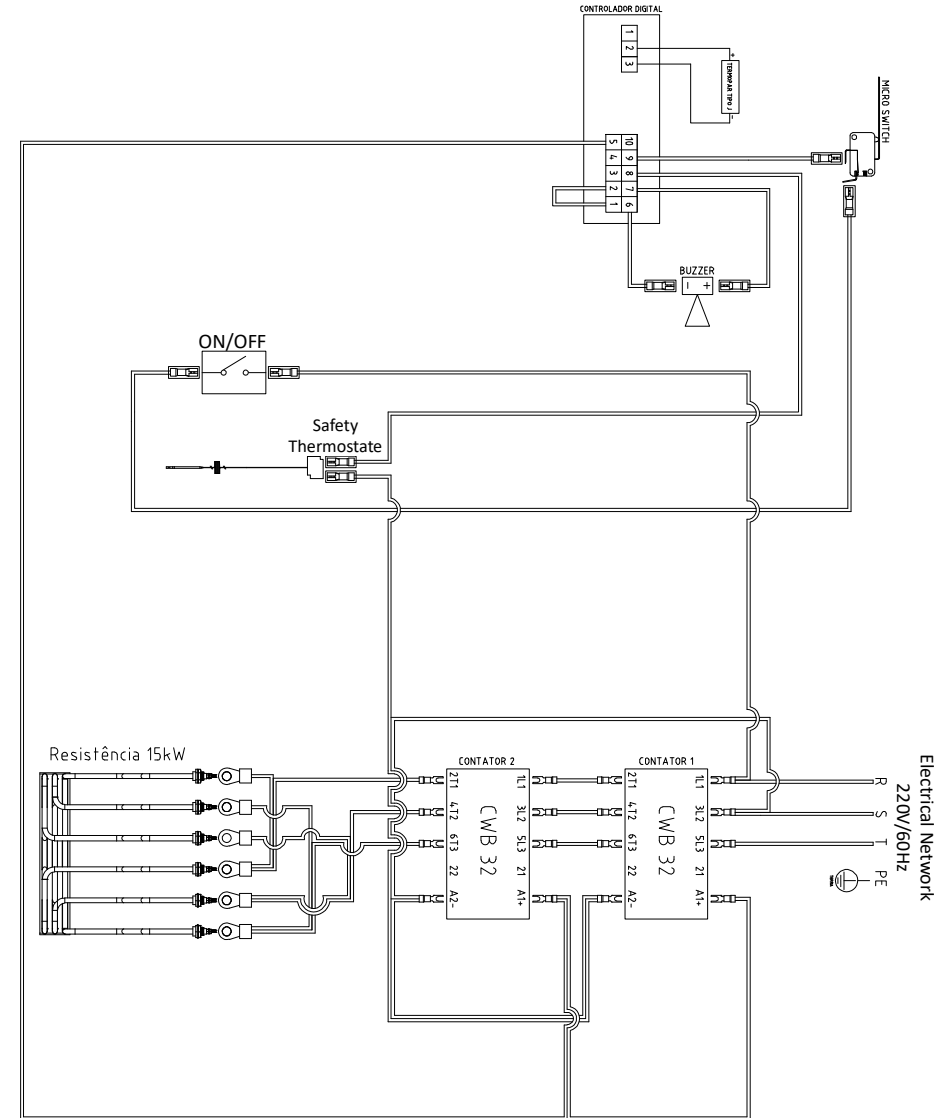
Tenga mucho CUIDADO al verter los productos a freír cuando se calienta el aceite, deben colocarse GRADUALMENTE (lentamente). Se debe evitar el burbujeo.

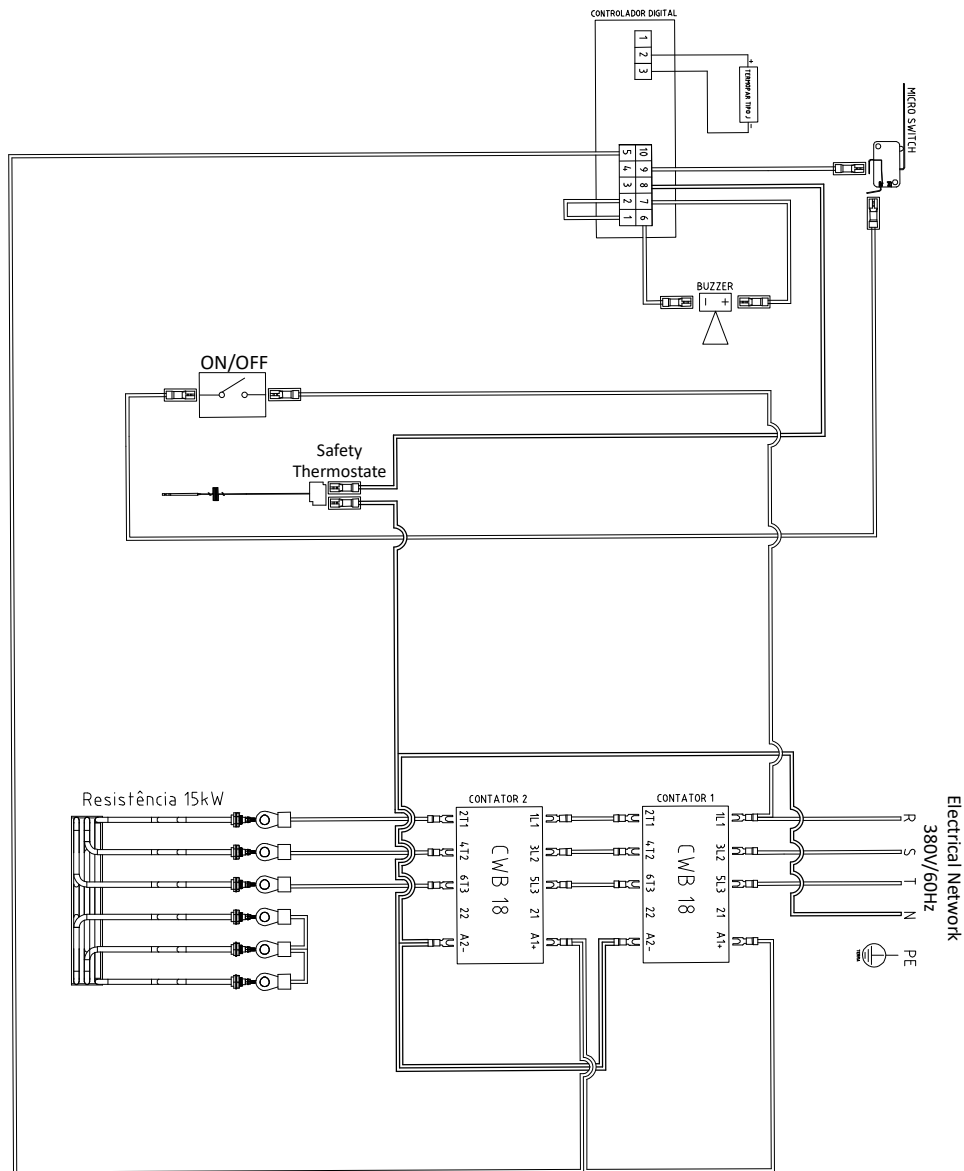
Levante el (los) cesto(s) cuando comienza el burbujeo, luego vuelva a ponerla en el aceite. Repita esta operación tantas veces como sea necesario. El burbujeo será intenso cuando los productos vertidos estén a baja temperatura.

⚠ Nunca vierta agua sobre el aceite caliente ni mueva la freidora durante el uso. Riesgo de incendio y accidentes graves. Nunca agite los cestos cuando están sumergidos en el aceite, evitando así que el aceite se mezcle con el agua causando salpicaduras o desbordamientos.

Después de que el producto se haya frito por completo, apague la freidora y apoye el cesto en el soporte nº 14 (Fig. 01) para eliminar el exceso de aceite.

8. DIAGRAMA ELÉCTRICO FE25 220V-T/60Hz





3.2 Nivelación

El equipo cuenta con patas de ajuste de altura (Fig. 03). Gira las patas con una llave de tubo 40. Nivele la freidora con la ayuda de un nivel, ya que es importante distribuir el calor de manera uniforme.

FIGURE 03



3.3 Instalación eléctrica

Este equipo viene acompañado con un cable de alimentación. Este cable de alimentación tiene 4 o 5 venas, la vena VERDE CON FRANJA AMARILLA debe estar conectada al sistema de aterramiento. Es obligatorio que todas las venas estén correctamente conectadas a la red eléctrica antes de conectar al equipo.

Para la conexión a la red eléctrica, las venas deben conectarse directamente a un disyuntor tripolar o tetrapolar Curva B (exclusivo para cargas resistivas) de acuerdo con la especificación en la tabla a continuación, este disyuntor debe instalarse de acuerdo con la norma actual ABNT NBR 5410.

CUADRO 02

CARACTERÍSTICAS TÉCNICAS	MODELO			
	FE25 380V-T	FE25 220V-T	FE38 380V-T	FE38 220V-T
Disyuntor de instalación	32A Tetrapolar	50A Tripolar	40A Tetrapolar	63A Tripolar
Tensión de alimentación	380V-T	220V-T	380V-T	220V-T
Sección mínima del conductor (calibre del cable)	5x6mm ²	4x10mm ²	5x6mm ²	4x10mm ²

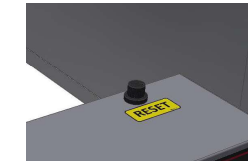
⚠ Realice la instalación de acuerdo con el punto 3.3 de este manual de instrucciones.

⚠ Verifique si la red eléctrica (disyuntor, cables y tomacorriente) admite la alimentación/corriente de este equipo.

⚠ Si no se observan los elementos anteriores, pueden producirse daños irreparables en el establecimiento, el equipo o los usuarios. Las ocurrencias de este tipo no son cubiertas por la garantía del producto.

haga un "plec". Si esto se produce, indica que el termostato de seguridad ha sido activado, así que no utilice más el equipo, llevándolo a un Centro de Servicio Autorizado más cercano.

FIGURA 05



3.4 Terminal equipotencial

La Fig. 04 indica el terminal de unión equipotencial externo. Esto debe usarse para garantizar que no haya diferencia de potencial entre los diferentes equipos conectados a la red eléctrica, disminuyendo el riesgo de descargas eléctricas. Los diferentes equipos deben estar conectados entre sí por sus respectivos terminales de conexión equipotencial.

FIGURA 04



3.5 Sistema de seguridad

Este producto también está equipado con un termostato de seguridad, que tiene la función de apagar la resistencia eléctrica cuando la temperatura del aceite alcanza el límite máximo permitido.

Si durante el proceso normal de uso de la freidora, se apaga y no se reinicia, es decir, el aceite no se calienta de nuevo, apague el interruptor ON/OFF, desconecte el equipo de la red eléctrica y espere a que el aceite se enfríe. Luego presione el botón de Reset (Fig. 05) y observe si el que

⚠ Este equipo cuenta con un sistema de seguridad para garantizar la integridad del operador. El funcionamiento del equipo debe estar de acuerdo con el punto "Funcionamiento" de este manual. Otros procedimientos para operar el equipo no son seguros, en esta condición el equipo no debe ser utilizado.

4. FUNCIONAMIENTO

- Verifique si el equipo está bien seguro en su lugar de trabajo.
- Antes de usar tu equipo, lave todas las piezas que entran en contacto con el producto a procesar con agua y jabón neutro.
- Deje el disyuntor del equipo apagado.

⚠ Antes de llenar el equipo con SALMUERA y ACEITE, asegúrese de que el registro 1.1/4" N°05 (Fig. 01) esté cerrado para evitar fugas.

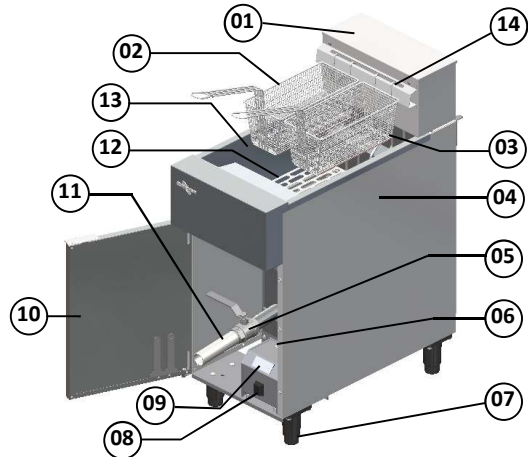
Disolver la sal gruesa en agua en un recipiente, de acuerdo con las especificaciones indicadas para cada modelo en la Tabla 03. Enseguida, ponga la solución en el depósito hasta el nivel indicado en la (Fig. 06).

Luego, ponga el aceite en las cantidades indicadas para cada modelo, completando hasta el nivel máximo siguiendo las indicaciones del Cuadro 03.

2. COMPONENTES Y CARACTERÍSTICAS TÉCNICAS

FE38 220V-T/60Hz

FIGURA 01



- | | |
|------------------------------------|----------------------------|
| 01 – Cabezal móvil | 08 – Interruptor ON/OFF |
| 02 – Cesto de freír | 09 – Controlador digital |
| 03 – Resistencia | 10 – Puerta |
| 04 – Gabinete | 11 – Drenaje de salida |
| 05 – Registro 1.1/4 " | 12 – Rejilla |
| 06 – Reset Termostato de Seguridad | 13 – Depósito |
| 07 – Pata ajustable | 14 – Soporte de los cestos |

TABLE 01

CARACTERÍSTICAS	UNIDAD	FE25 380V-T	FE25 220V-T	FE38 380V-T	FE38 220V-T
Carga máxima por cesto	kg	1	1	1	1
Cantidad de cestos	UNIDAD	2	2	3	3
Voltaje (trifásico)	V	380	220	380	220
Frecuencia	Hz	60	60	60	60
Potencia nominal	W	15 000	15 000	18 000	18 000
Altura	mm	1055	1055	1055	1055
Ancho	mm	400	400	575	575
Profundidad	mm	850	850	850	850
Peso neto	Kg	36	36	46	46
Peso Bruto	kg	52	52	74	74
Tiempo de calentamiento	min	8	8	12	12
Cantidad de agua	L	5	5	6	6
Cantidad máxima de aceite	L	25	25	38	38
Cantidad mínima de aceite	L	21	21	32	32
Cantidad de sal gruesa	kg	0,5	0,5	0,5	0,5

3. INSTALACIÓN Y PREOPERACIÓN

⚠ La conexión a la red eléctrica y la provisión para el funcionamiento deben ser realizadas por un profesional calificado.

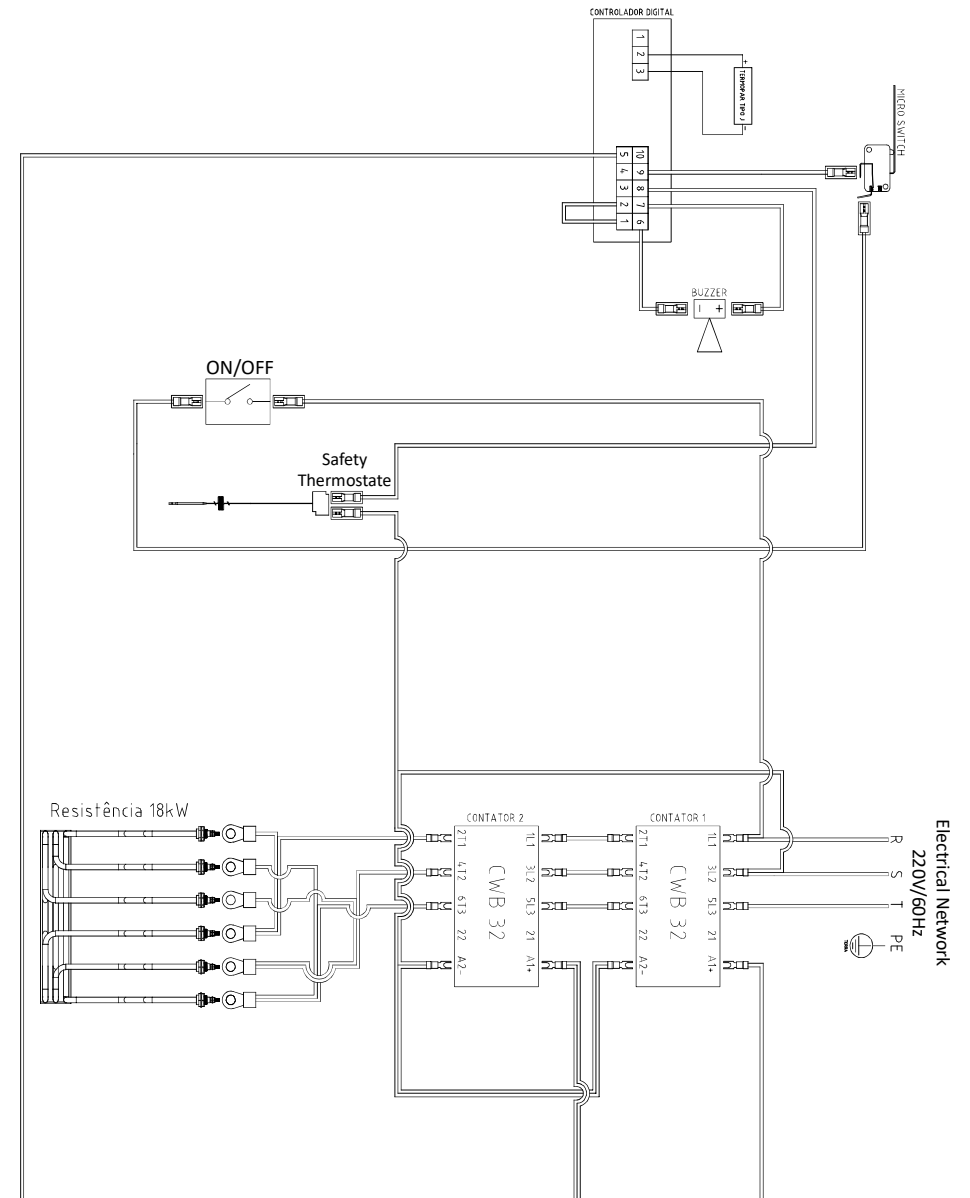
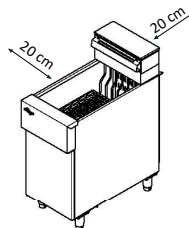
⚠ En la instalación es imprescindible poner este manual a disposición de los profesionales que lo llevarán a cabo.

3.1 Posicionamiento

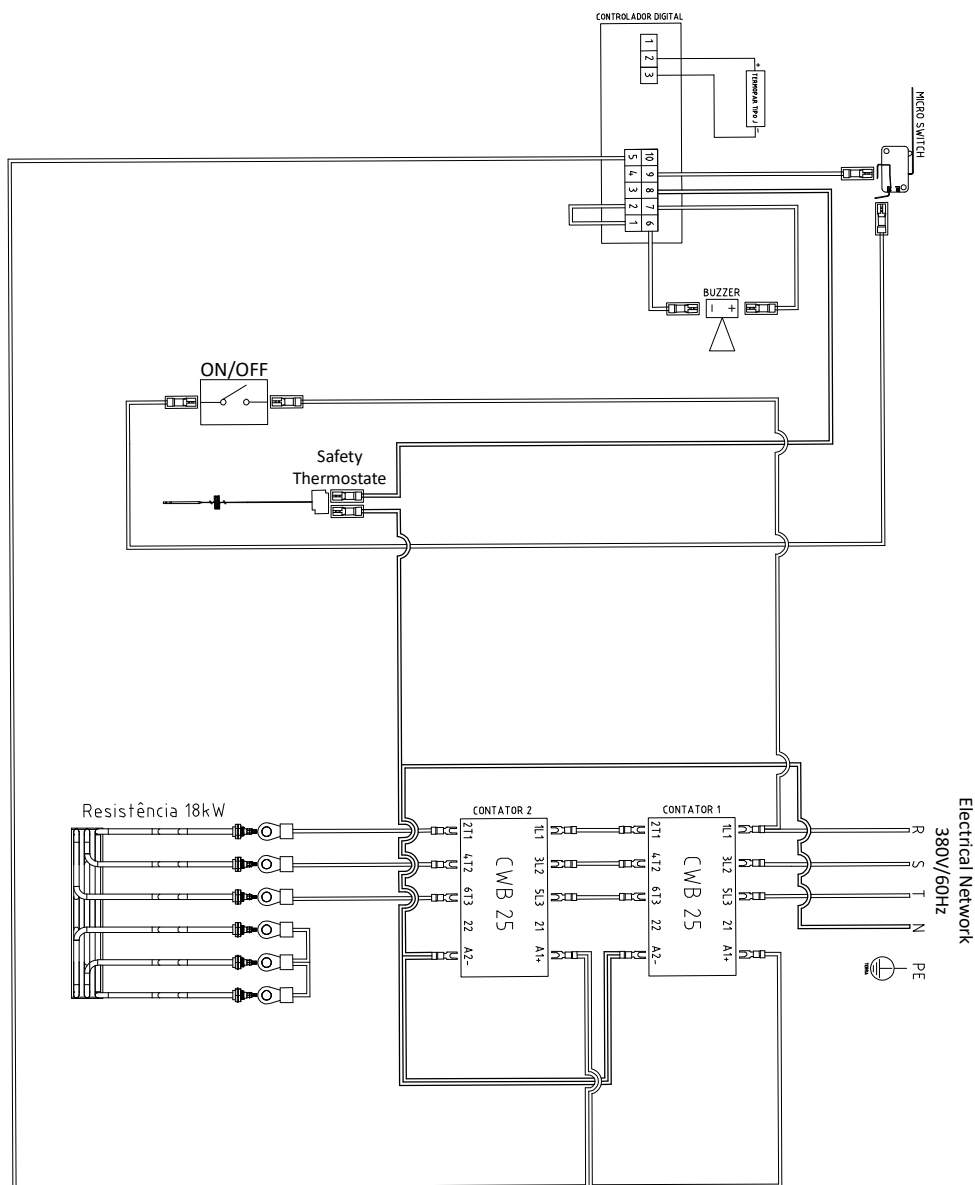
Su equipo debe colocarse y nivelarse en una superficie seca y firme, lejos de fregaderos o bancos de trabajo que puedan generar salpicaduras de agua en la freidora. También se recomienda instalarlo debajo de una campana o campana, siguiendo las instrucciones del fabricante.

Mantenga el equipo alejado de la pared dejando un espacio mínimo de 20 cm en la parte trasera y laterales, como se muestra en la Fig. 02.

FIGURA 02



RESUMEN



1. INTRODUCCIÓN	13
1.1 Seguridad	13
2. COMPONENTES Y CARACTERÍSTICAS TÉCNICAS	14
3. INSTALACIÓN Y PREOPERACIÓN	14
3.1 Posicionamiento	14
3.2 Nivelación	15
3.3 Instalación eléctrica	15
3.4 Terminal equipotencial	15
3.5 Sistema de seguridad	15
4. FUNCIONAMIENTO	15
4.1 Niveles	16
4.2 Temperaturas y cargas	16
4.3 Accionamiento	16
4.4 Procedimientos para el funcionamiento	16
4.5 Cuidados esenciales con productos empanados o harinados	17
5. LIMPIEZA	17
5.1 Procedimientos para eliminar el aceite y la salmuera	17
5.2 Procedimientos para el cambio de salmuera	17
5.3 Procedimientos de limpieza	17
6. MANTENIMIENTO	18
7. SOLUCIÓN DE PROBLEMAS	19
8. DIAGRAMA ELÉCTRICO	20

1. INTRODUCCIÓN

Este producto ha sido diseñado para su uso en cocinas comerciales. Se usa, por ejemplo, en restaurantes, comedores, hospitales, panaderías y similares.

No se recomienda el uso de este equipo cuando:

- El proceso de producción es continuo en escala industrial;
- El lugar de trabajo es un ambiente con atmósfera corrosiva, explosiva, contaminada con vapor, polvo o gas.

1.1 Seguridad

Se deben seguir las siguientes instrucciones para evitar un accidente, el incumplimiento puede causar lesiones graves:

- 1.1.1 Nunca use el equipo con: ropas o pies mojados y/o superficie mojada, no sumerja en agua ni en ningún otro líquido y no utilice chorros de agua directamente sobre el equipo.
- 1.1.2 Cuando el equipo sufre una caída, está dañado de alguna manera o no funciona, es necesario llevarlo a una Asistencia Técnica Autorizada.
- 1.1.3 El uso de accesorios no recomendados por el fabricante puede causar lesiones personales.
- 1.1.4 Mantenga las manos y los utensilios alejados de las partes móviles del aparato mientras está en funcionamiento para evitar lesiones personales o daños al aparato.
- 1.1.5 Asegúrese de que el voltaje del equipo y la red eléctrica sean los mismos, y que el equipo esté conectado correctamente a la red de aterramiento.
- 1.1.6 Desconecte el equipo de la red eléctrica al cambiar el ACEITE y la SALMUERA.
- 1.1.7 Nunca encienda el equipo sin agua (salmuera) y sin aceite.

1.1.8 Nunca toque ni coloque objetos (como cucharas y cuchillos) en las resistencias Nº 03 (Fig. 01) y en el aceite cuando el equipo esté encendido o en tiempo de enfriamiento, ya que estarán calientes y causarán quemaduras.

⚠ Este equipo no está diseñado para ser utilizado por personas (incluidos niños) con capacidades físicas, sensoriales o mentales reducidas, o por personas que carecen de experiencia y conocimiento, a menos que hayan recibido instrucciones sobre el uso del equipo o están bajo la supervisión de una persona responsable de su seguridad.

⚠ Se recomienda vigilar a los niños para asegurarse de que no estén jugando con el aparato.

⚠ Desconecte el equipo de la red eléctrica cuando: no esté en uso, antes de limpiarlo, insertar o quitar accesorios, mantenimiento y cualquier otro tipo de servicio.

⚠ No utilice el equipo si tiene un cable o enchufe dañado. Si lo está, reemplace el cable dañado por otro que cumpla con las especificaciones técnicas y de seguridad. Este reemplazo debe ser realizado por un profesional calificado y debe cumplir con los estándares de seguridad locales. Asegúrese de que el cable de alimentación no permanezca en el borde de la mesa/mostrador ni toque superficies calientes.

⚠ En caso de emergencia, desconecte el enchufe del tomacorriente.

⚠ Este equipo no debe sumergirse en agua para limpiarlo.

⚠ Este equipo no debe limpiarse con un limpiador a vapor.

⚠ Recomendamos que en el lugar/establecimiento donde se instale/use este equipo, esté equipado con EXTINTORES de clase K (norma de EE. UU) o de acuerdo con las normas y requisitos de la legislación local.

⚠ Asegúrese de que el nivel de aceite esté siempre en el nivel indicado, ya que el nivel de aceite por debajo del especificado puede provocar un incendio.

⚠ Debe tenerse cuidado a los brotes de ebullición al colocar alimentos muy húmedos o congelados en el equipo.

⚠ El aceite también debe cambiarse, ya que el aceite viejo puede tener un punto de inflamación reducido y puede ser más propicio para los brotes de ebullición.

⚠ Este aparato debe instalarse y utilizarse de tal manera que el agua no pueda entrar en contacto con la grasa o el aceite.

⚠ Revise periódicamente el estado de los cables y las partes eléctricas.

⚠ El operador debe usar el EPP (Equipo de Protección Personal) apropiado, como: zapatos antideslizantes; entre otros de acuerdo con la legislación local.

⚠ Evite salpicar aceite en el piso, ya que hará que el piso sea resbaladizo y puede causar accidentes. En caso de derrames de aceite, limpie el piso inmediatamente.

⚠ En la instalación es imprescindible poner este manual a disposición de los profesionales que lo llevarán a cabo.

⚠ Después de leer y aclarar todas las dudas, este manual debe almacenarse cuidadosamente en un lugar de fácil acceso, conocido por todas las personas que operarán el dispositivo y puesto a disposición de las personas que realizarán el mantenimiento, para eventuales consultas.