

Metalúrgica Skymssen Ltda.  
Rodovia Ivo Silveira 9525  
Volta Grande  
88355-202 Brusque/SC/Brasil  
www.skymssen.com - Fone: +55 47 3211 6000  
CNPJ: 82.983.032/0001-19 - IE 250.064.537

69875.5 - INGLÊS / ESPANHOL

Data de Revisão: 14/10/2022

- BESIDES THIS EQUIPMENT, A COMPLETE RANGE OF OTHER PRODUCTS ARE MANUFACTURED, CONSULT OUR DEALERS.  
- DUE TO THE CONSTANT IMPROVEMENTS INTRODUCED TO OUR EQUIPMENTS, THE INFORMATION CONTAINED IN THE PRESENT INSTRUCTION MANUAL MAY BE MODIFIED WITHOUT PREVIOUS NOTICE.

WWW.SKYMSSEN.COM

INSTRUCTION MANUAL  
MANUAL DE INSTRUCCIONES

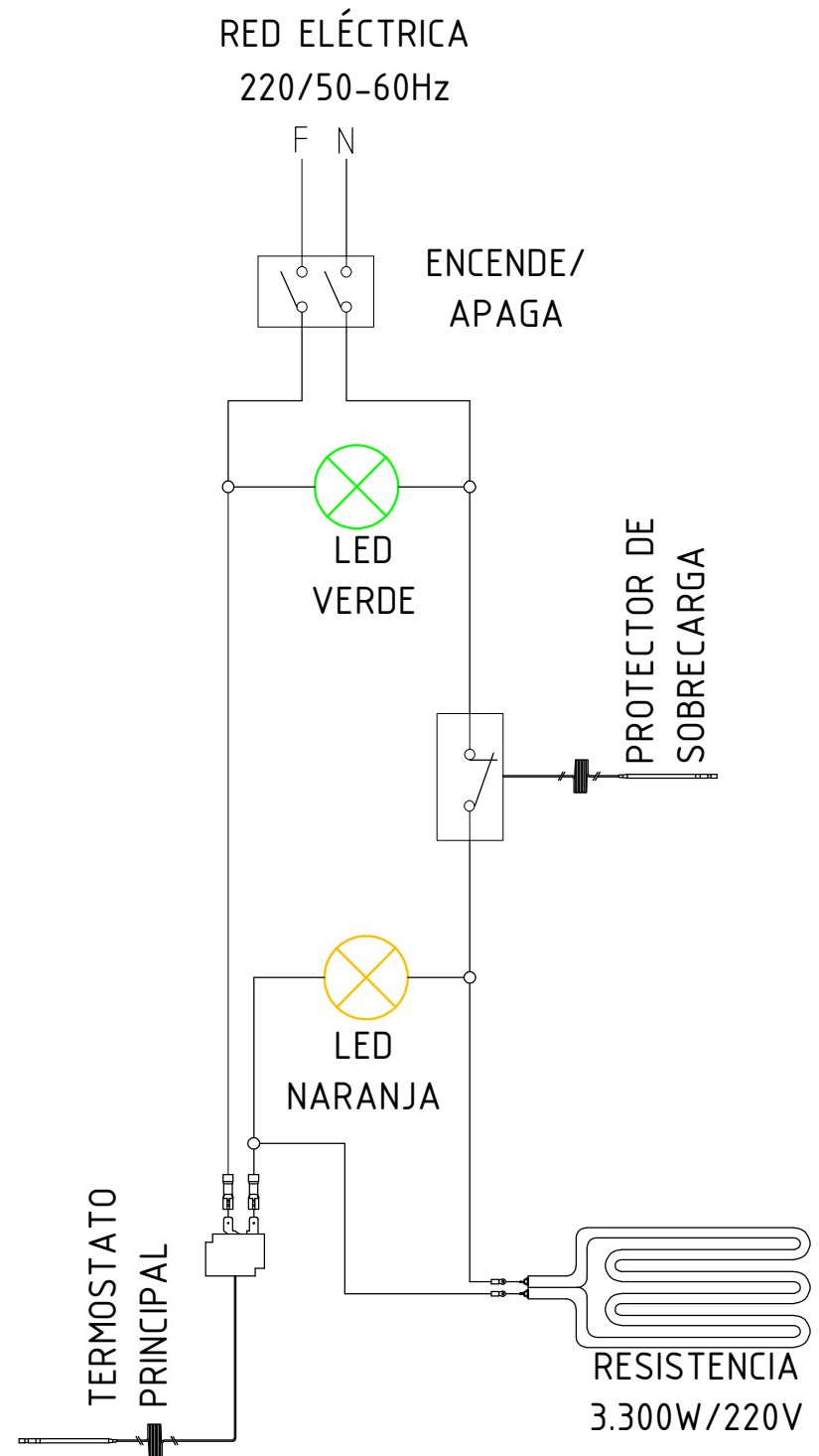


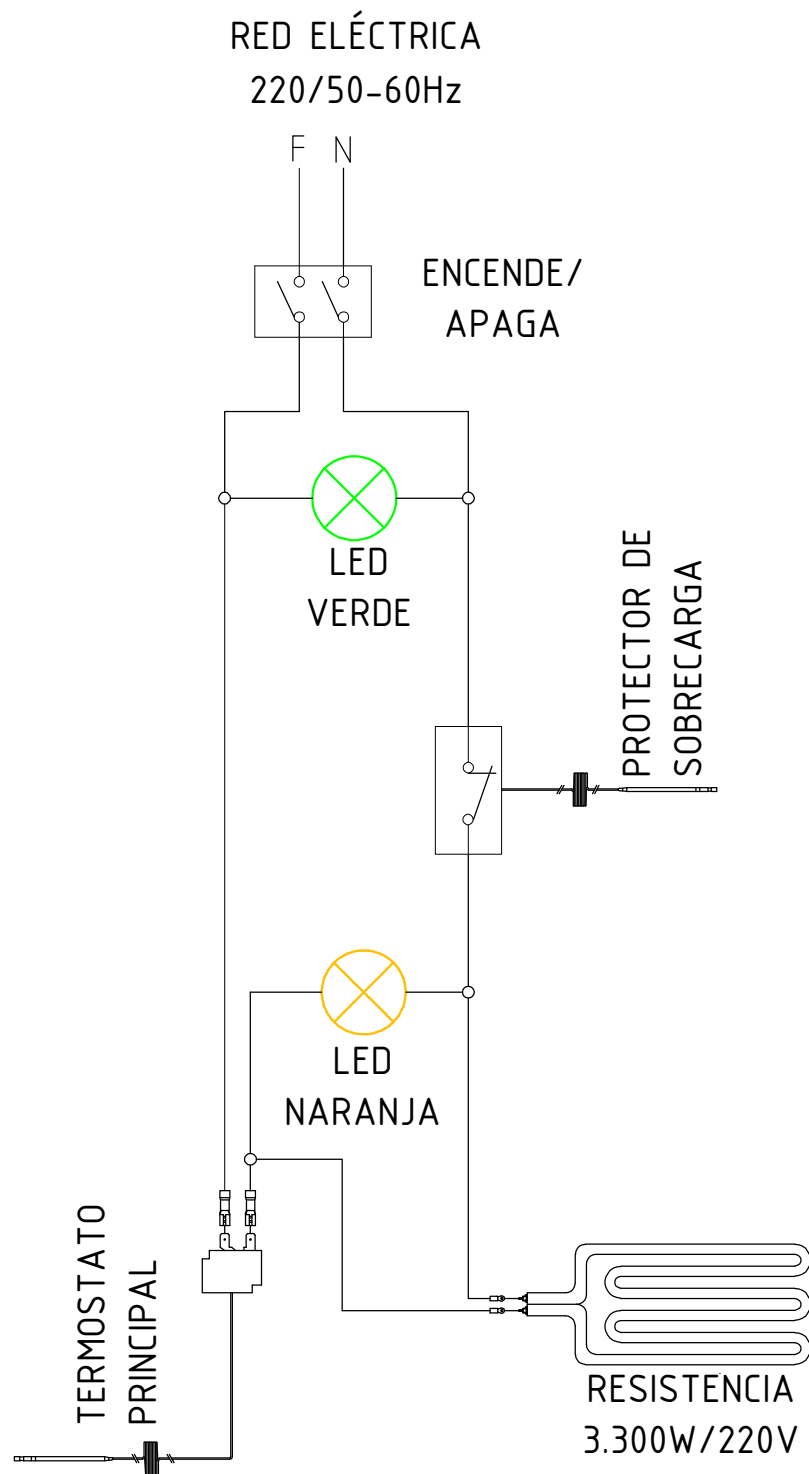
ELECTRIC FRYER, TWO 5 LITERS TANKS, STAINLESS STEEL  
FREIDORA ELECTRICA, DOS CUBAS DE 5 LITROS, INOXIDABLE

MODEL / MODELO  
**FED-20-N**

# SUMMARY

- 1. Introduction ..... 3
- 1.1 Safety ..... 3
- 1.2 Main Components ..... 5
- 1.3 Technical Characteristics ..... 6
- 2. Installation and Pre Operation ..... 6
- 2.1 Installation ..... 6
- 2.2 Pre Operation ..... 7
- 3. Operation ..... 8
- 3.1 Starting..... 8
- 3.2 Cleaning..... 9
- 3.3 Security system .....10
- 3.4 Cautions with Stainless Steel .....10
- 4. General Safety Practices ..... 11
- 4.1 Basic Operation Procedures .....12
- 4.2 Safety Procedures and Notes before Switching the Machine ON .....13
- 4.3 Routine Inspection.....13
- 4.4 Operation .....14
- 4.5 After Finishing The Work.....14
- 4.6 Maintenance .....14
- 4.7 Warning.....14
- 5. Analysis and Problem Solving ..... 15
- 5.1 Problems, Causes and Solutions.....15
- 6. Observed Norms ..... 15
- 7. Electric Diagram..... 16





## 1. Introduction

### 1.1 Safety

When incorrectly used this equipment is a potentially DANGEROUS machine . Maintenance, cleaning or any other service shall be performed by a duly trained person and with the machine unplugged .

To avoid accidents respect the following instructions:

1.1.1 Read all the instructions.

1.1.2 In order to avoid the risk of electric shocks and damage to the machine, never operate it wearing wet clothes or shoes , install the equipment on a wet or humid surface nor dip it in water or any other liquid, and do not spray water directly on it.

1.1.3 The use of the equipment must always be supervised, specially when used next to children.

1.1.4 Before cleaning and when not in use or before inserting or removing accessories, maintenance, or other services, disconnect machine from power source.

1.1.5 - Do not leave the electric cable on the edge of the table or counter nor let it touch hot surfaces.

1.1.6 Do not use the equipment if it is not working correctly, nor if it has been damaged in any way. In case that happens, take the equipment to the nearest Technical Assistance to check it up.

1.1.7 The use of accessories not recommended by the manufacturer may cause personal injuries.

1.1.8 Keep your hands or any tool out of the machine while operating to avoid personal injuries or any damage to the equipment.

1.1.9 Make sure the equipment voltage and the network voltage are the same, and the equipment has been solidly grounded.

1.1.10 – Never touch the electric element N°06 (Picture-01) nor the oil when the machine is under used or undergoing its cooling period, both will be extremely hot and will cause burning injuries.

### IMPORTANT

**Children shall be watched in order to avoid them to play with the equipment.**

**IMPORTANT**

Make sure the cord is in perfect conditions for use. If it is not, change it for a new one in accordance with the technical specifications and safety rules .  
The substitution shall be made by a qualified professional , and shall respect the local safety norms.

**IMPORTANT**

This equipment must not be used by children or any persons with reduced physical or mental aptness, lack of experience or knowledge, unless they are under supervision or have received from the person responsible for safety, proper instructions on how to use the equipment.

**IMPORTANT**

In case of emergency take off the plug from its socket.

**IMPORTANT**

Never spray water directly on to the equipment.

**IMPORTANT**

We strongly recommend that the End Users of this machine have readily accessible and available K Class (US Standard or in accordance with local norms/laws) fire extinguishers at the place where the machine will be used.

**IMPORTANT**

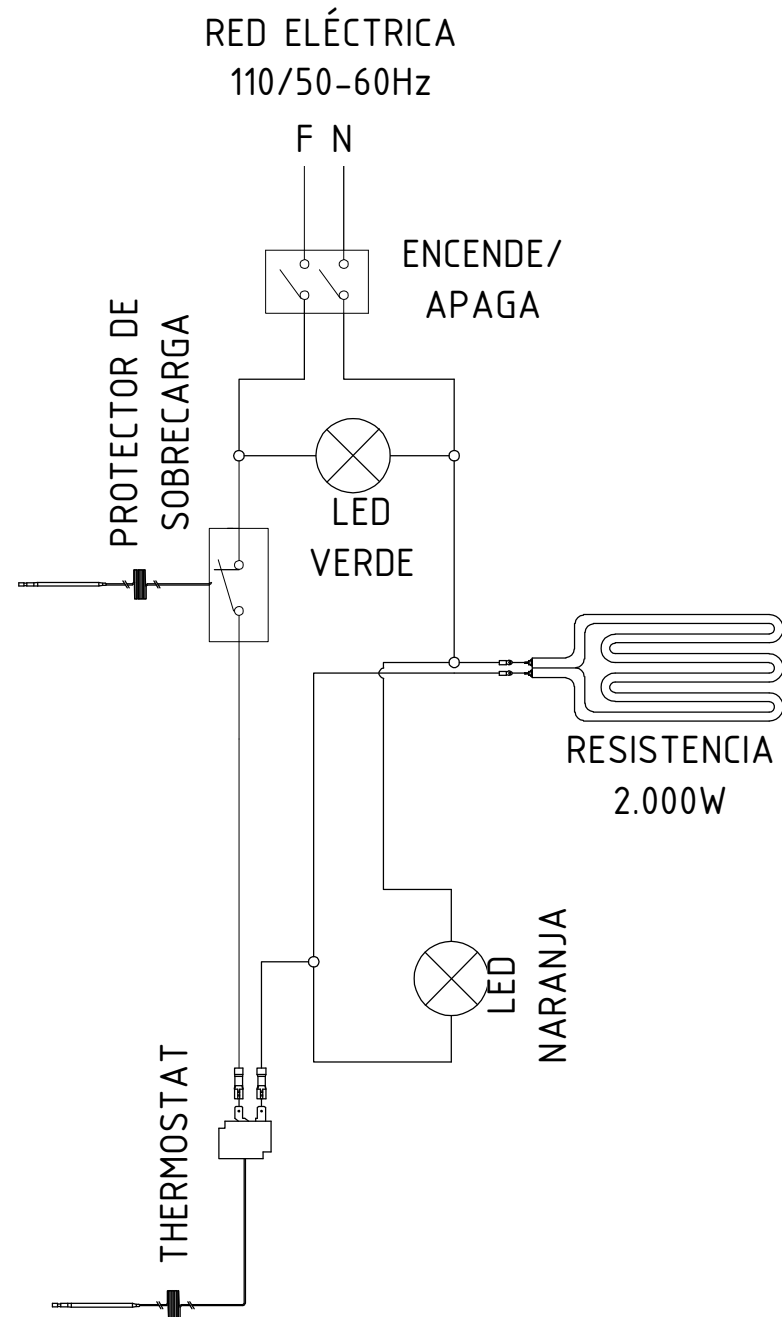
Make sure that the oil level is at the indicated level at ALL TIMES. The use of the machine with the oil below the indicated level may result in a fire.

**IMPORTANT**

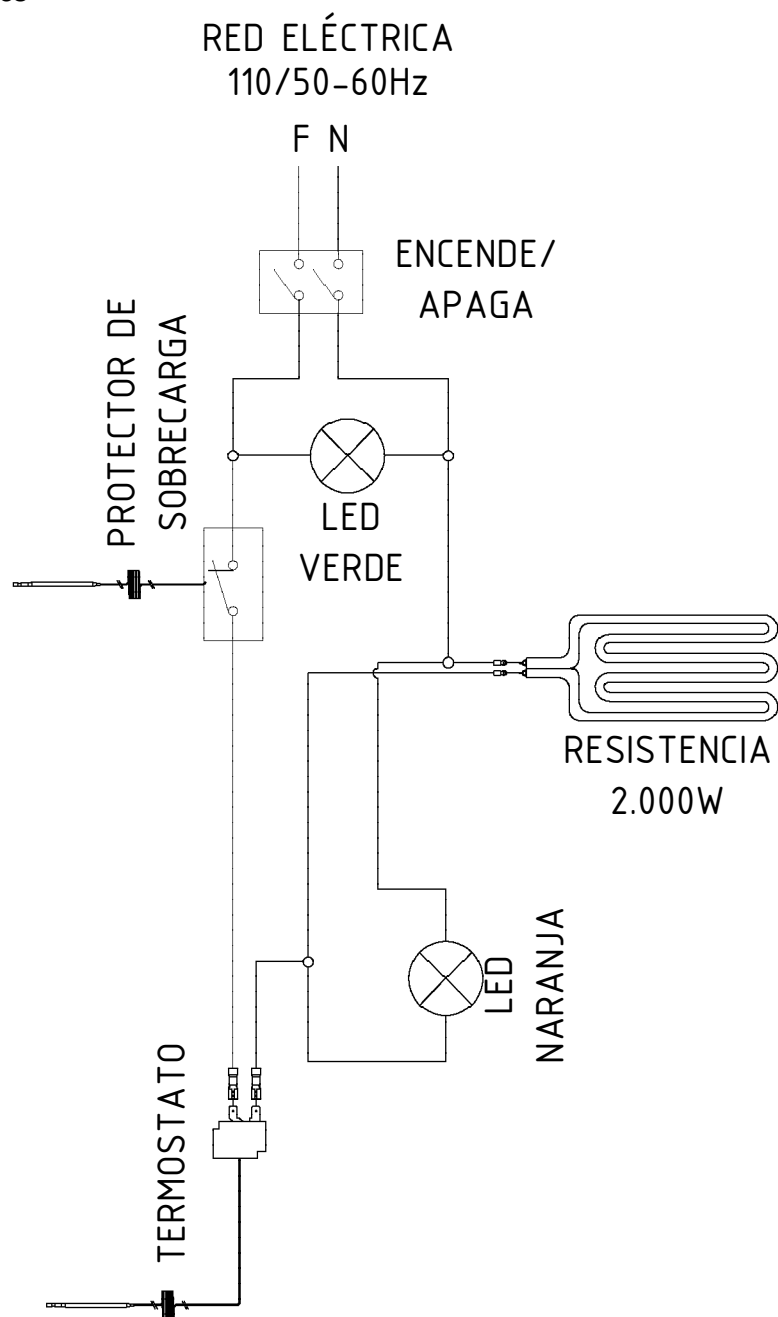
Pay attention and be careful with boiling sprouts that may occur when placing excessively wet/frozen foods in the tank. Boiling sprouts may also occur if excessive loads of food are placed in the tank.

**IMPORTANT**

Always check if the Control Panel N°2 (Picture-01) is lowered to its correct position. For the End User's safety the machine will not work if the Control Panel is not in its correct position.



## 7. Diagrama Eléctrico



## 1.2 Main Components

All the components of this machine are made with materials sensibly selected to suit their functions, according to test standards and also Skymesen's knowhow.

PICTURE 01



- 01 – Basket
- 02 – Lid
- 03 – Draining Support
- 04 – Tank
- 05 – Housing
- 06 – Electric Element

- 07 – Thermostat Handle
- 08 – Pilot Lamp
- 09 – Oil Level
- 10 – ON/OFF Key
- 11 – Thermostat Pilot Lamp
- 12 – Control Panel

### 1.3 Technical Characteristics

**TABLE 01**

CHARACTERISTICS	UNIT	FED-20-N
Voltage	V	110 or 220
Power Rating	W	3300 + 3300
Temperature Adjustment	°C	0-200
Oil Capacity	l	5
Height	mm	310
Width	mm	560
Depth	mm	465
Net Weight	Kg	7,8
Gross Weight	Kg	9,8
Maximum Capacity of the Tank	l	10
Maximum Load	Kg	0,6 + 0,6

**Observation : The fryer has 2 baskets, 2 tanks and 2 lids**

## 2. Installation and Pre Operation

### 2.1 Installation

The Electric Fryer is to be installed onto a levelled, dry and clean surface approximately 850mm high. Make sure that the unit voltage and the voltage in the power source are the same. Always ground the machine in accordance with the local laws, norms and regulations. Should you have any doubts consult an electrician.

The electrical feed cord has 3 round pins, one of them is the ground wire. Its is mandatory that all 3 points are correctly connected before the machine is turned on.

1) Fit the hoop wire to the lower housing of the basket as shown in the pictures N°01 and N°02.

The figure indicates displayed beside the external connecting terminal equipotential.

This should be used to ensure there is no potential difference between different devices connected to the power grid, reducing the maximum risk of electric shock.

The separate equipment must be connected to one another by their respective equipotential connection terminals.

## 6. Normas observadas

Las normas observadas para el desarrollo del equipo y para la elaboración de este manual son:

NORMA BRASILEIRA ABNT NBR NM 60335-1  
IEC60335-2-37

**TABLA 03**

Problemas	Causas	Soluciones
- Máquina no prende.	<ul style="list-style-type: none"> <li>- Falta de energía eléctrica.</li> <li>- Problema en el circuito eléctrico interno o externo de la máquina.</li> <li>- Resistencia o termostato quemado.</li> </ul>	<ul style="list-style-type: none"> <li>- Verifique se hay energía eléctrica en la red eléctrica.</li> <li>- Llame el Servicio Técnico.</li> <li>- Llame el Servicio Técnico.</li> </ul>
- Aceite hierve demasiado.	<ul style="list-style-type: none"> <li>- Termostato con fallo.</li> </ul>	<ul style="list-style-type: none"> <li>- Llame el Servicio Técnico.</li> </ul>



**2.2 Pre Operation**

Before starting make sure that the electric fryer is firm on its position and stable.

It is recommended to use the machine on a levelled, dry and clean surface at all times, avoiding accidents.

Before turning on the machine, fill the Tank N°04 (Picture.01) with 5 liters of comestible oil, or until the level mark is reached N°09 (Picture.01)

**2.2.1 Procedure to place the hoop in the basket.**

Please follow the illustrations below to correctly place the hoop in the basket :

**PICTURE 02**



**PICTURE 03**



2) Press the upper portion of the hoop wire against the upper housing of the basket until the basket is well fit, as shown in pictures N°03 and N°04.

**PICTURE 04**



**PICTURE 05**



### 3. Operation

#### 3.1 Starting

- 1 - Place the Plug into the Socket.
- 2 - Fill the tank with comestible oil until the level mark is reached as shown on N°09 (Picture.01)
- 3 - Start the equipment placing the ON/OFF Switch in the ON position N°10 (Picture-01). This will make the Pilot lamp light up (Green light) N°08 (Picture.01) indicating that the machine is turned on.
- 4 - Program the temperature control (thermostat) N°07 (Picture.01) with the desired temperature. This will make the thermostat pilot lamp light up (Orange light) N°11 (Picture.01)
- 5 - When the oil in the tank reaches the programmed temperature, the thermostat pilot lamp (Orange Light) N°11 (Picture.01) will go out.
- 6 - The thermostat pilot lamp (Orange light) N°11 (Picture.01) will light up and go out always when the oil temperature oscillates, this will ensure that the programmed temperature is kept.
- 7 - Always place food that you wish to fry in the basket and then insert them in the oil. When the frying process is over, to eliminate the excess of oil place the basket in the Draining Support as shown on N°03 (Picture.01).
- 8 - When the frying process is over, lift up the control panel, rotating it backwards in the vertical position as shown on Picture N°02. This will also lift up the electric element allowing the oil to be drained. By adopting this procedure a better usage of the oil will be obtained.

Con frecuencia controle la tensión de las correas o de las cadenas, NO coloque los dedos entre las correas y las poleas ni entre las cadenas y sus engranajes.

### 4.6 Mantenimiento

#### 4.6.1 Peligros

Con la maquina prendida cualquier operación de mantenimiento es peligrosa.

DESPRENDALA FÍSICAMENTE DE LA RED ELÉCTRICA, DURANTE TODA LA OPERACIÓN DE MANTENIMIENTO.

Verifique el apriete de todos los tornillos y tuercas para evitar posibles daños al equipo.

**IMPORTANTE**  
**Siempre retire la flecha de su enchufe en casos de emergencia.**

### 4.7 Avisos

El mantenimiento eléctrico o mecánico debe ser hecho por una persona calificada para hacer el trabajo.

La persona encargada por el mantenimiento debe certificarse que la maquina trabaje bajo condiciones TOTALES DE SEGURIDAD.

## 5. Análisis y Resolución de Problemas

### 5.1 Problemas, Causas y Soluciones

Las freidoras eléctricas fueran diseñadas para que necesiten un mínimo de manutención. Sin embargo pueden ocurrir algunas irregularidades en su funcionamiento, debido al desgaste natural causado por su uso.

Caso haya algún problema con su Freidora Eléctrica, verifique la Tabla – 02 abajo, donde están indicadas algunas soluciones recomendadas o contacte su distribuidor.



para evitar corto circuitos.

Los tanques de aceite deben estar siempre llenos. Reponga aceite cuando necesario.

### 4.3 Inspección de Rutina

#### 4.3.1 Aviso

Al averiguar la tensión de las correas o de las cadenas, NO coloque los dedos entre las correas y las poleas, ni entre las cadenas y sus engranajes.

#### 4.3.2 Cuidados

Verifique los motores, correas, cadenas o engranajes y las partes deslizantes o girantes de la maquina, con relación a ruidos anormales.

Al verificar la tensión de las correas o de las cadenas, sustituya el conjunto, caso alguna correa, cadena o engranaje, tenga desgaste.

Verifique las protecciones y los dispositivos de seguridad para que siempre funcionen adecuadamente.

### 4.4 Operación

#### 4.4.1 Avisos

No trabaje con pelo largo, que pueda tocar cualquier parte de la maquina, pues el mismo podría causar serios accidentes. Manténgalo recogido, ó cúbralo con una gorra o pañuelo.

- Solamente operadores entrenados y calificados pueden operar la maquina.
- Nunca toque con las manos o de cualquier otra manera, partes girantes de la maquina.
- JAMÁS opere la maquina, sin algún de sus accesorios de seguridad.

### 4.5 Después de Terminar el Trabajo

#### 4.5.1 Cuidados

Al terminar el día de trabajo proceda con la limpieza de la maquina. Para tanto, despréndala físicamente de la toma.

Nunca limpie la maquina antes de su PARADA COMPLETA.

Recoloque todos los componentes de la maquina en sus lugares, antes de prenderla otra vez.

PICTURE 06



#### IMPORTANT

Be very careful when placing the food when the oil is heated up. Food must be placed gradually (slowly). Sprouting must be avoided. If sprouting begins lift up the basket and slowly lower it back in the oil. Repeat this move as many times as necessary to avoid sprouting. Sprouting will be intense when lower temperature / frozen food are placed in the heated oil.

### 3.2 Cleaning

#### IMPORTANT.

Remove the plug from its socket before to start cleaning. Before removing the oil make sure it is cooled out.

1 – Remove the plug from the socket and wait for the oil to be cooled out.

2 - Before starting to clean the machine, remove all oil.

3 – After the complete removal of the oil from the tank N°04 (Picture.01), wash the internal portion of the tank with water and neutral soap, rinse and dry it. For the remaining parts of the machine use a lightly humid cloth.

4 – After using the machine please make sure all parts are cleaned as indicated on point 3.

#### IMPORTANT

This machine cannot be immersed in water or any other kind of liquid in order to be cleaned.

**IMPORTANT**  
**Do not spray water directly on the equipment**

**IMPORTANT.**  
**It is crucial to monitor and clean the heating element more frequently to avoid performance problems and the release of burnt residue during future frying. The resistance can be cleaned with neutral detergent and a Scotch-Brite sponge.**

### 3.3 Security system

This machine is also equipped with a safety thermostat, which has the function of disconnecting the electrical resistance when the oil temperature reaches the maximum allowable limit.

If during normal process of using the fryer, it off and not return to restart, ie, the oil does not heat up again, turn off the thermostat temperature, disconnect the machine from the mains and wait for the complete cooling oil.

Then press the Reset button nº01 (Fig. 07) and note that the button moves in, producing a sound and feeling a “plec”. If this occurs, it indicates that the safety thermostat has been triggered, then do not use more equipment, taking it to a Technical Assistance nearest Authorized.

**PICTURE 07**



### 3.4 Cautions with Stainless Steel

The Stainless Steel may present rust signs, which ARE ALWAYS CAUSED BY EXTERNAL AGENTS, especially when the cleaning or sanitization is not constant and appropriate.

sin que la respectiva señal sea dada y respondida.

#### 4.1.3 Avisos

En el caso de falta de energía eléctrica, deslice inmediatamente la llave prende/apaga.

Use solamente óleos lubricantes o grasas recomendadas o equivalentes. Evite choques mecánicos, ellos pueden causar fallas o malo funcionamiento. Evite que agua, suciedad o polvo entren en los componentes mecánicos y eléctricos de la maquina.

- NO ALTERE las características originales de la maquina.
- NO SUCIE, RASGUE O RETIRE CUALQUIER ETIQUETA DE SEGURIDAD O DE IDENTIFICACIÓN
- Caso alguna esté ilegible o fuera perdida, solicite otra al Asistente Técnico mas cerca Nº
- LEA ATENTAMENTE Y CON CUIDADO LAS ETIQUETAS DE SEGURIDAD Y DE IDENTIFICACIÓN CONTENIDAS EN LA MAQUINA , ASÍ COMO LAS INSTRUCCIONES Y LAS TABLAS TÉCNICAS CONTENIDAS EN ESTE MANUAL.

### 4.2 Cuidados y Observaciones Antes de Prender la Maquina

**IMPORTANTE**  
**Lea con atención y cuidado las INSTRUCCIONES contenidas en este Manual, antes de prender la maquina. Certifíquese que entendió correctamente todas las informaciones. En caso de duda, consulte su superior o el Vendedor.**

#### 4.2.1 Peligro

Cables o hilos eléctricos con aislamiento dañado, pueden provocar choques eléctricos. Antes de usarlos verifique sus condiciones.

#### 4.2.2 Avisos

Esté seguro que las INSTRUCCIONES contenidas en este Manual, estén completamente entendidas. Cada función o procedimiento de operación y de mantenimiento debe estar perfectamente claro.

El accionamiento de un comando manual (botón, llave eléctrica, palanca, etc.) debe ser hecho siempre después que se tenga la certitud de que es el comando correcto.

#### 4.2.3 Cuidados

El cable de alimentación de energía eléctrica de la maquina, debe tener una sección suficiente para soportar la potencia eléctrica consumida.

Cables eléctricos que estuvieran en el suelo cerca de la maquina, deben ser protegidos

## 4. Nociones Generales de Seguridad

### IMPORTANTE

**Si cualquiera de las recomendaciones no fuera aplicable, ignórela.**

Las Nociones Generales de Seguridad fueran preparadas para orientar y instruir adecuadamente a los operadores de las maquinas, así como aquellos que serán responsables por su mantenimiento.

La maquina solamente debe ser entregue al operador en buenas condiciones de uso, al que el operador debe ser orientado cuanto al uso y a la seguridad de la maquina por el Vendedor. El operador solamente debe usar la maquina con el conocimiento completo de los cuidados que deben ser tomados, luego de LEER ATENTAMENTE TODO ESTE MANUAL.

### 4.1 Practicas Básicas de Operación

#### 4.1.1 Peligros

Algunas partes del accionamiento eléctrico presentan puntos o terminales con altos voltajes. Cuando tocados pueden ocasionar graves choques eléctricos, o hasta la muerte de una persona.

Nunca toque un comando manual (botón, llave eléctrica, palancas etc.) con las manos, zapatos o ropas mojadas, no obedecer esta recomendación, también podrá provocar choques eléctricos, o hasta la muerte de una persona.

#### 4.1.2 Advertencias

El local de la llave prende/apaga debe ser bien conocido, para que sea posible accionarla a cualquier momento sin la necesidad de procurarla.

Antes de cualquier manutención desconecte la maquina de la red eléctrica.

Proporcione espacio suficiente para evitar caídas peligrosas.

Agua o aceite podrán hacer resbaloso y peligroso el piso. Para evitar accidentes, el piso debe estar seco y limpio.

Antes de accionar cualquier comando manual (botones, llaves eléctricas, palancas, etc.) verifique siempre si el comando es el correcto, o en caso de dudas, consulte este Manual.

Nunca toque ni accione un comando manual (botones, llaves eléctricas, palancas etc.) por acaso. Si un trabajo debe ser hecho por dos o más personas, señales de coordinación deben ser dados antes de cada operación. La operación siguiente no debe ser comenzada

The Stainless Steel resistance towards corrosion is mainly due to the presence of chrome, which in contact with oxygen allows the formation of a very thin protective coat. This protective coat is formed through the whole surface of the steel, blocking the action of external corrosive agents.

When the protective coat is broken, the corrosion process begins, being possible to avoid it by means of constant and adequate cleaning.

Cleaning must always be done immediately after using the equipment. For such end, use water, neutral soap or detergent, and clean the equipment with a soft cloth or a nylon sponge. Then rinse it with plain running water, and dry immediately with a soft cloth, this way avoiding humidity on surfaces and especially on gaps.

The rinsing and drying processes are extremely important to prevent stains and corrosion from arising.

### IMPORTANT

**Acid solutions, salty solutions, disinfectants and some sterilizing solutions (hypochlorites, tetravalent ammonia salts, iodine compounds, nitric acid and others), must be AVOIDED, once it cannot remain for long in contact with the stainless steel.**

These substances attack the stainless steel due to the CHLORINE on its composition, causing corrosion spots (pitting). Even detergents used in domestic cleaning must not remain in contact with the stainless steel longer than the necessary, being mandatory to remove it with plain water and then dry the surface completely.

Use of abrasives:

Sponges or steel wool and carbon steel brushes, besides scratching the surface and compromising the stainless steel protection, leave particles that rust and react contaminating the stainless steel. That is why such products must not be used for cleaning and sanitization. Scrapings made with sharp instruments or similar must also be avoided.

Main substances that cause stainless steel corrosion:

Dust, grease, acid solutions such as vinegar, fruit juices, etc., saltern solutions (brine), blood, detergents (except for the neutral ones), common steel particles, residue of sponges or common steel wool, and also other abrasives.

## 4. General Safety Practices

### IMPORTANT

**If any recommendation is not applicable to your equipment, please ignore it.**

The following safety instructions are addressed to both the operator of the machine as well as the person in charge of maintenance.

The machine has to be delivered only in perfect conditions of use by the Distributor to the user. The user shall operate the machine only after being well acquainted with the safety procedures described in the present manual. READ THIS MANUAL WITH ATTENTION.

#### 4.1 Basic Operation Procedures

##### 4.1.1 Dangers

Some areas of the electric device have parts that are connected or have parts connected to high voltage. These parts when touched may cause severe electrical shocks or even be lethal.

Never touch manual commands such as switches, buttons, turning keys and knobs with your hands wearing wet clothes and/or wet shoes. By not following these instructions operator could be exposed to severe electrical shocks or even to a lethal situation.

##### 4.1.2 Warnings

- \* The operator has to be well familiar with the position of ON/OFF Switch to make sure the Switch is easy to be reached when necessary.
- \* Before any kind of maintenance, physically remove plug from the socket.
- \* Provide space for a comfortable operation thus avoiding accidents.
- \* Water or oil spilled on the floor will turn it slippery and dangerous. Make sure the floor is clean and dry.
- \* Before using any commands (switch, buttons, lever), be sure it is the correct one. In case of doubt, consult this manual.
- \* Never touch any manual commands (switch, buttons, lever) unadvisedly.
- \* If any work is to be made by two or more persons, coordination signs will have to be given for each operation step. Every step of the operation shall be taken only if a sign has been made and responded.

##### 4.1.3 Advices

- \* In case of power shortage, immediately switch the machine off.
- \* Use recommended or equivalent lubricants, oils or greases.
- \* Avoid mechanical shocks, once they may cause damages or bad functioning.
- \* Avoid water, dirt or dust contact to the mechanical and electrical components of the machine.
- \* DO NOT change the standard characteristics of the machine.
- \* DO NOT remove, tear off or maculate any safety or identification labels stuck on the machine. If any labels have been removed or are no longer legible, contact your nearest dealer for replacement.

### 3.4 Cuidados con los aceros Inoxidables

Los aceros inoxidables pueden presentar puntos de “corrosión”, que SIEMPRE SON PROVOCADOS POR AGENTES EXTERNOS, principalmente cuando el cuidado con la limpieza o higienización no sea constante y adecuado. La resistencia a la corrosión del acero inoxidable se debe principalmente a la presencia del cromo que, en contacto con el oxígeno, permite la formación de una finísima camada protectora. Esta camada protectora se forma sobre toda la superficie del acero, bloqueando la acción de los agentes externos que provocan la corrosión. Cuando la camada protectora sufre un rompimiento, el proceso de corrosión es iniciado, pudiendo ser evitado a través de la limpieza constante y adecuada.

Inmediatamente después de la utilización del equipamiento, es necesario proceder con la limpieza, utilizando agua, jabón o detergentes neutros, aplicados con un paño suave o esponja de nylon. A seguir, enjuagar con agua corriente, se debe enjuagar e, inmediatamente secar, con un paño suave, evitando la permanencia de humedades en las superficies y principalmente en las grietas. El enjuague y el secado son extremadamente importantes para evitar el apareamiento de huellas o corrosiones.

#### IMPORTANTE

**Soluciones ácidas, soluciones salinas, desinfectantes y determinadas soluciones para esterilizar (hipocloritos, sales de amoníaco tetravalente, compuestos de iodo, ácido nítrico y otros), deben ser EVITADAS por no poder permanecer mucho tiempo en contacto con el acero inoxidable.**

Visto que generalmente poseen CLORO en su composición, tales sustancias atacan el acero inoxidable, causando puntos de corrosión.

Mismo los detergentes utilizados en la limpieza doméstica, no deben permanecer en contacto con el acero inoxidable más de lo necesario, debiendo ser también removidos con agua y la superficie deberá ser completamente seca.

Uso de abrasivos:

Esponjas o estropajos de acero y cepillos de acero en general, además de rallar la superficie y comprometer la protección del acero inoxidable, dejan partículas que oxidan y reaccionan, contaminando el acero inoxidable. Por eso, tales productos no deben ser usados en la limpieza e higienización. Raspados hechos con instrumentos puntiagudos o similares también deberán ser evitados.

Principales sustancias que causan la corrosión de los aceros inoxidables:

Polvos, grasas, engrases, aceites, soluciones ácidas como el vinagre, jugos de frutas u otros ácidos, soluciones salinas (salmuera), sangre, detergentes (excepto los neutros), partículas de aceros, residuos de esponjas o estropajos de acero común, además de otros tipos de abrasivos.

**IMPORTANTE**

Esta máquina no debe ser sumergida en agua u otro liquido para efectuar la limpieza.

**IMPORTANTE**

Nunca utilice agua de presión o similar directamente sobre la maquina.

**IMPORTANTE**

Es fundamental controlar y limpiar el elemento calefactor con más frecuencia para evitar problemas de rendimiento y la liberación de residuos quemados durante futuras frituras. La resistencia se puede limpiar con detergente neutro y una esponja Scotch-Brite.

**3.3 Sistema de segurança**

Esta máquina también está equipado con un termostato de seguridad, que tiene la función de desconexión de la resistencia eléctrica cuando la temperatura del aceite alcanza el límite máximo permitido.

Si durante el proceso normal de la utilización de la freidora, apagado y no volver a reiniciar, es decir, el aceite no se calienta de nuevo, apague la temperatura del termostato, desconecte el aparato de la red y esperar a que el aceite se enfríe completamente.

A continuación, pulse el botón de reinicio Nº01 (Fig. 07) y observe que el botón se mueve en, produciendo un sonido y una sensación de "Plec". Si esto ocurre, se indica que el termostato de seguridad ha sido activado, entonces no utilizar más equipo, llevándolo a una Asistencia Técnica autorizado más cercano.

**FIGURA 07**



**4.2 Safety Procedures and Notes before Switching the Machine ON**

**IMPORTANT**

Carefully read ALL INSTRUCTIONS of this manual before turning the machine ON. Be sure to well understand all the information contained in this manual. If you have any question contact your supervisor or your nearest Dealer.

**4.2.1 Danger**

An electric cable or electric wire with damaged jacket or bad insulation might cause electrical shocks as well as electrical leak. Before use, check the conditions of all wires and cables.

**4.2.2 Advices**

Be sure to well understand all the information contained in this manual. Every operation function or procedure has to be thoroughly clear.

Before using any commands (switch, buttons, lever), be sure it is the correct one. In case of doubt, consult this manual.

**4.2.3 Precautions**

The electric cable has to be compatible with the power required by the machine.

Cables touching the floor or close to the machine need to be protected against short circuits.

The oil reservoirs have to be filled until the indicated level. Check and refill if necessary.

**OBSERVATION**

For your own safety read all the machine stickers.

**4.3 Routine Inspection**

**4.3.1 Advice**

When checking the tension of the belts or chains, DO NOT insert your fingers between the belts and the pulleys and nor between the chain and the gears.

#### 4.3.2 Precautions

Check the tension of the belts and chains and replace the set when belts or chains show signs of wearing.

When checking the tension of belts or chains DO NOT insert your fingers between belts and pulleys, nor between the chains and gears.

Check protections and safety devices to make sure they are working properly.

#### 4.4 Operation

##### 4.4.1 Warnings

Do not use the machine with long hair that could touch any part of the machine. This might lead to a serious accident. Tie your hair up well and/or cover it with a scarf.

Only trained or skilled personnel shall operate this machine.

Never touch turning parts with your hands or any other way,

NEVER operate the machine without any original safety devices under perfect conditions.

#### 4.5 After Finishing The Work

##### 4.5.1 Precautions

Always TURN THE MACHINE OFF before cleaning by removing the plug from the socket.

Never clean the machine unless it has come to a complete stop.

Put all the components back to their functional positions before turning the machine ON again.

Check the level of oil.

Do NOT insert your fingers in between belts and pulleys nor chains and gears.

#### 4.6 Maintenance

##### 4.6.1 Danger

Any maintenance with the machine in working situation is dangerous. TURN IT OFF BY PULLING THE PLUG OFF THE SOCKET DURING MAINTENANCE.

Check that all screws and nuts are tight to avoid possible damage to the equipment.

#### **IMPORTANT**

**Always remove the plug from the socket in any emergency situation.**

#### 4.7 Warning

Electrical or mechanical maintenance has to be undertaken by qualified personnel. The person in charge of maintenance has to be sure that the machine is under TOTAL SAFETY conditions when working.

**FIGURA 06**



#### **IMPORTANTE**

**Tenga mucho CUIDADO al colocar la canasta con alimentos que va a freír, cuando el aceite esté caliente en la temperatura elegida, los mismos deberán ser colocados de forma gradual (lentamente). La ebullición del aceite debe ser evitado.**

**Levante la canasta cuando comenzar la ebullición, después sumergir nuevamente la canasta en el aceite. Repita esta operación cuantas veces sean necesarias. La ebullición será intensa cuando los alimentos colocados en la canasta estén con baja temperatura o congelados.**

#### 3.2. Limpieza

#### **IMPORTANTE**

**Nunca haga la limpieza con la maquina conectada a la toma de corriente y, antes de sacar el aceite de la cuba, esté seguro de que esté frío.**

1 - Para hacer la limpieza de la maquina, desligue la máquina de la toma de corriente eléctrica y espere hasta que el aceite se enfríe.

2 - Retire el aceite que ya está frío, levantando con cuidado la cuba N°04 (Fig. 01)

3 - Lavar la cuba con agua y jabón neutro, enjuagar muy bien y secar.

Para limpiar el restante de la maquina, pase un paño levemente húmido y luego un paño seco.

4 - Después del término del uso, todas las partes de la maquina deben ser lavadas con agua y jabón neutro, excepto el Panel de Control N°02 (Fig.01) el cual debe ser limpiado apenas con un paño húmido.



**FIGURA 04**



**FIGURA 05**



**3. Operación**

**3.1 Accionamiento**

- 1 - Conecte la maquina en la red eléctrica.
- 2 - Coloque 5 litros de aceite comestible en la Cuba N° 04 (Fig.01), o hasta alcanzar la marca de nivel N° 9 (Fig. 01).
- 3 - Prender la freidora utilizando la llave Prende/Apagar N°10 (Fig. 01) donde automáticamente prenderá el LED de la lámpara piloto (color verde) N° 08(Fig. 01) indicando que la maquina está energizada/prendida.
- 4 - Elija la temperatura más indicada para el alimento que desea freír ajustando el Control de Temperatura N° 07 (Fig. 01), cuando entonces encenderá el LED de lámpara piloto del termostato (color naranja) N° 11 (Fig. 01).
- 5 - Cuando la temperatura del aceite alcanzar la temperatura elegida, el LED de la lámpara del termostato (color naranja) N° 11(Fig. 01) se apagará, es cuando debe colocar en la cuba con aceite el alimento que irá freír.
- 6 - El LED de la lámpara piloto del termostato (color naranja) N° 11 (Fig. 01) encenderá y apagará siempre que la temperatura del aceite oscilar, haciendo con que la temperatura del aceite se mantenga según la temperatura programada o elegida.
- 7 - Utilizar la canasta para colocar el producto que será frito en el aceite, luego acomodar la canasta dentro de la cuba con el aceite, con cuidado. Después de concluir la fritura, para eliminar el exceso de aceite, colgar la canasta en el soporte de la canasta N° 03(Fig. 01)
- 8 - Después de concluir la fritura, levante la caja del panel de control, girándolo hacia atrás en la posición vertical, según Figura N° 02 abajo, para que la resistencia también se levante y permita el escurrimiento del aceite. De esta forma, se logrará mejor provecho del aceite.

**5. Analysis and Problem Solving**

**5.1 Problems, Causes and Solutions**

The electric fryers have been designed to require minimum maintenance. However, some performance failures may happen due to natural wearing caused by the use of the equipment.

If any problem arises check the table - 03 below, where there are some detailed and recommended possible solutions.

**TABLE 03**

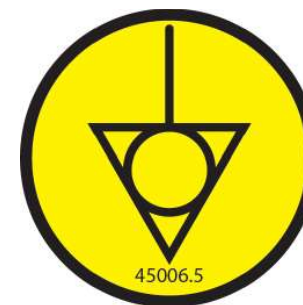
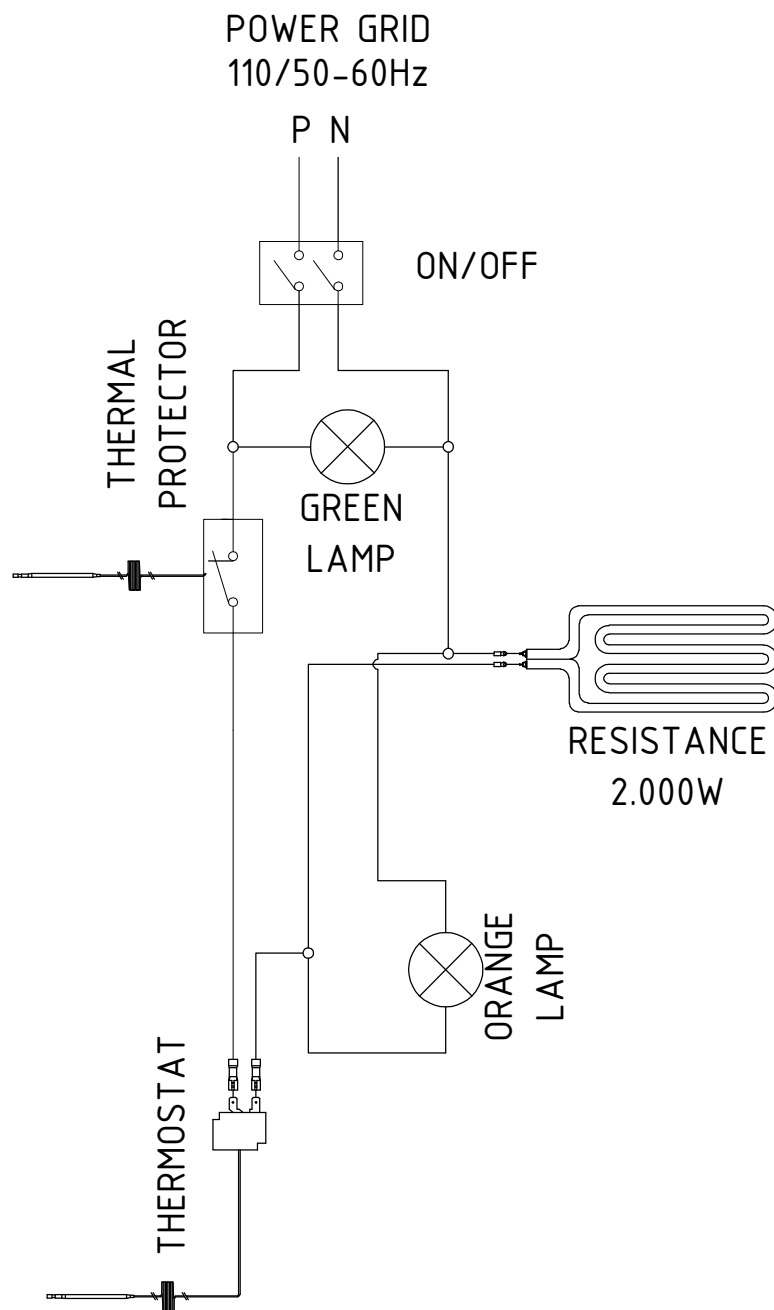
<b>PROBLEM</b>	<b>CAUSE</b>	<b>SOLUTION</b>
- The equipment does not start.	- Energy shortage; - Problem with the electric circuit; - Electric Element and or thermostat burned.	- Check energy supply; - Call Technical Assistance; - Call Technical Assistance.
- Oil boils in an exaggerated manner.	- Defective thermostat.	- Call Technical Assistance.

**6. Observed Norms**

The norms observed for the development of this equipment and the production of this manual are:

BRAZILIAN ABNT NBR NORM NM 60335-1  
IEC 60335-2-37

## 7. Electric Diagram



### 2.2 Pre Operación

Verifique que el equipo esté firme en su local de trabajo.  
Se recomienda trabajar con el equipo sobre una superficie seca, estable, evitando futuros accidentes.

Antes de prender la maquina, coloque 5 litros de aceite comestible en la Cuba N° 04 (Fig. 01), o hasta alcanzar la marca de nivel N° 09 (Fig.01).

#### 2.2.1 Procedimiento para colocación de las asas en la cuba

La operación de las asas en la cuba debe ser según ilustrado abajo:

- 1) Encajar el alambre del asa en el alojamiento inferior de la cuba, según las fotos N° 01 y N° 02.

**FIGURA 02**



**FIGURA 03**



- 2) Presione la parte del alambre del asa contra el alojamiento superior de la cuba hasta que el mismo quede firmemente encajado, según figuras N° 03 y N° 04.



### 1.3 Características Técnicas

**TABLA 01**

Características Técnicas	Unidad de Medida	FED-20-N
Voltaje	V	110 or 220
Potencia	W	3300 + 3300
Ajuste de Temperatura	°C	0-200
Cantidad de Aceite	l	5
Altura	mm	310
Largo	mm	560
Profundidad	mm	465
Peso Neto	Kg	7,8
Peso Bruto	Kg	9,8
Volumen de la Cuba	l	10
Carga Máxima (por proceso de fritura)	Kg	0,6 + 0,6

## 2. Instalación y Pre Operación

### 2.1 Instalación

#### 2.1.1 Posición

Las freidoras eléctricas deben ser instaladas en una superficie seca, nivelada y estable, preferentemente a 850mm de altura.

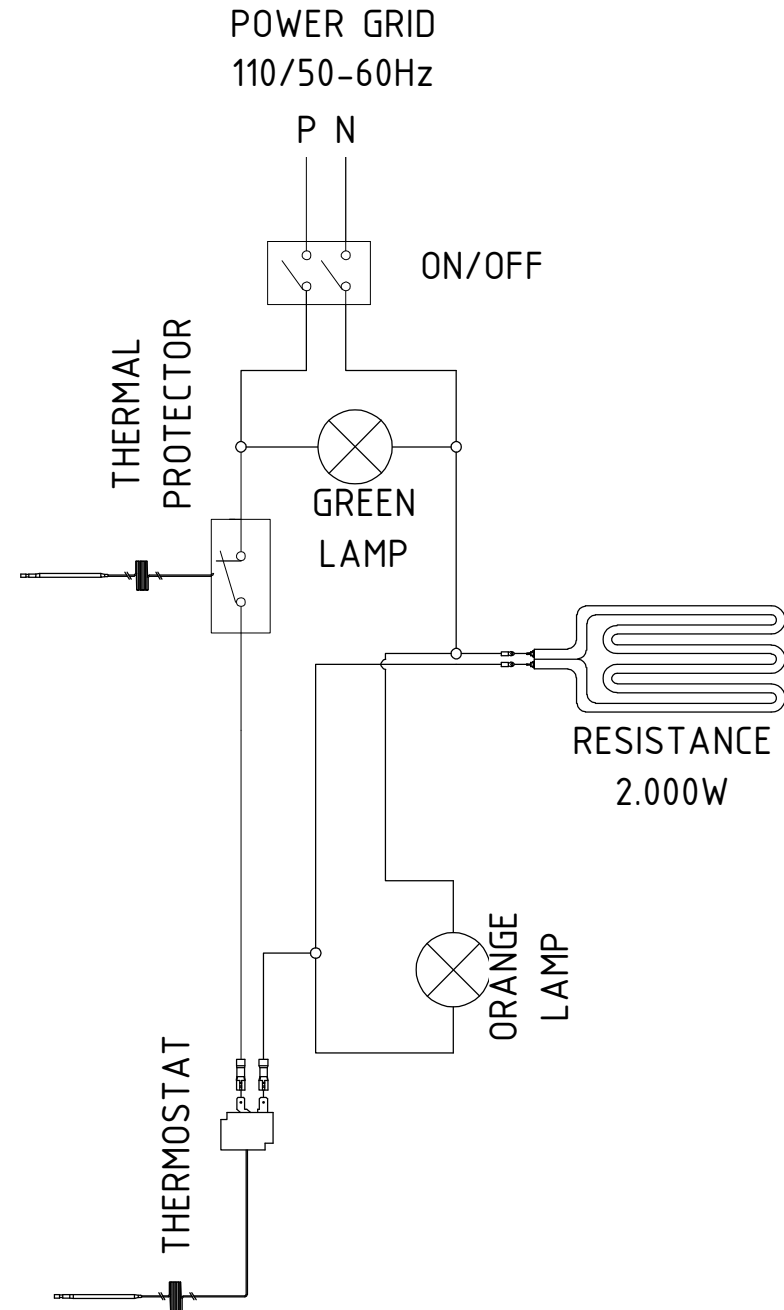
Verifique que la tensión/voltaje de la máquina y de la red de alimentación eléctrica sean las mismas.

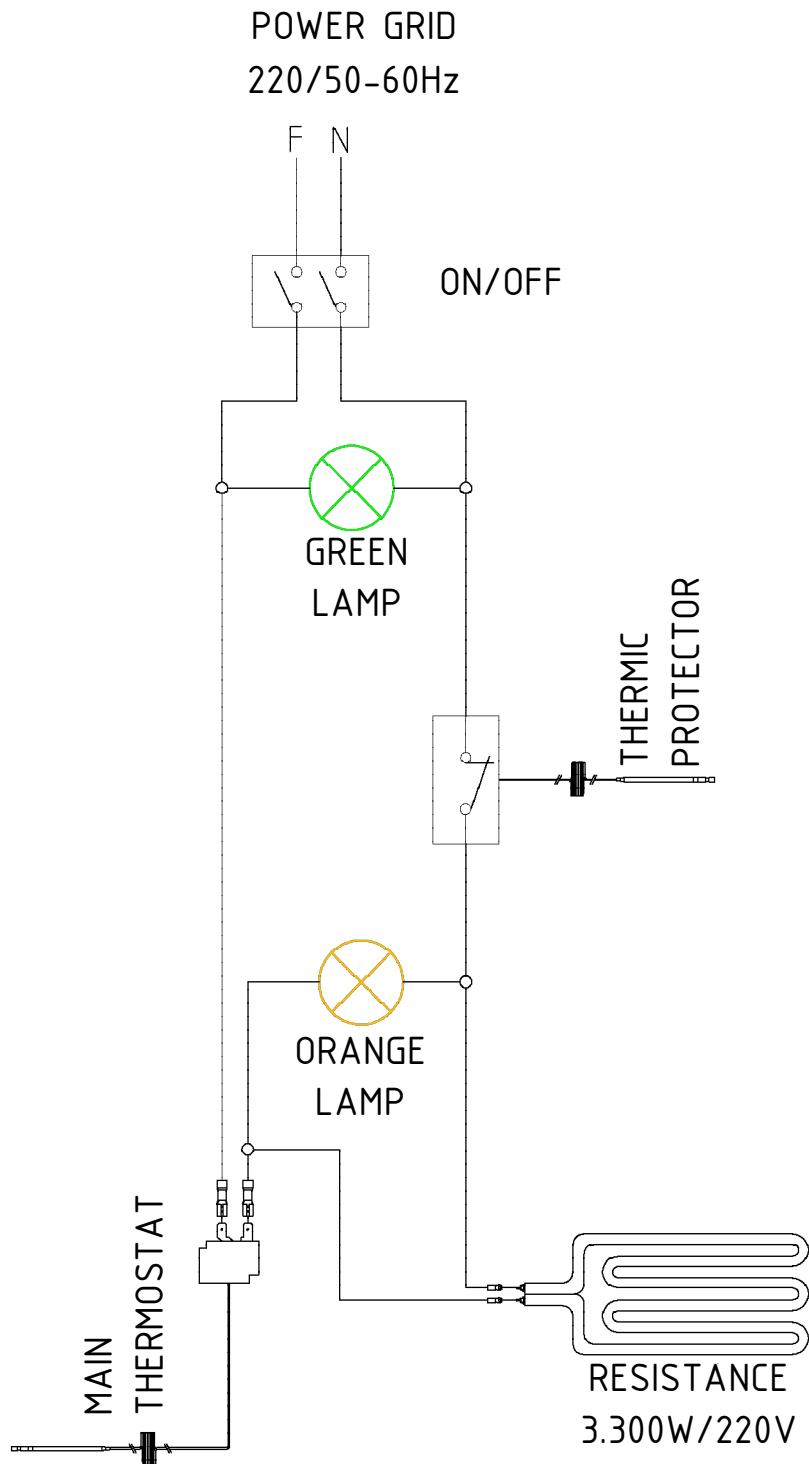
Hacer la conexión a tierra, del enchufe, según las normas de seguridad eléctrica vigentes en su país.

El cable de alimentación (enchufe) posee 3 clavijas. Antes de prender el equipo, es obligatorio que las 3 clavijas estén debidamente conectadas a la red eléctrica del local donde se va a instalar este equipo.

La figura a continuación indica el terminal de conexión equipotencial externa. Esto se debe utilizar para asegurarse de que no hay diferencia de potencial entre los diferentes dispositivos conectados a la red eléctrica, lo que reduce el riesgo de descarga eléctrica máxima.

El equipo separado debe conectarse el uno al otro por sus respectivos terminales de conexión equipotencial.





## 1.2 Principales Componentes

Todos los componentes que incorporan la maquina son construidos con materiales cuidadosamente seleccionados para su función, dentro de los padrones de prueba y de la experiencia de Skymssen.

FIGURA 01



- 01 - Canasta
- 02 - Panel de control
- 03 - Soporte de la canasta
- 04 - Cuba
- 05 - Gabinete
- 06 - Resistencia

- 07 - Botón del Termostato de Temperatura
- 08 - Lámpara piloto
- 09 - Nivel de aceite
- 10 - Llave Prender/Apagar
- 11 - Termostato de Seguridad

**IMPORTANTE**

Certifíquese que el cable de alimentación esté en perfectas condiciones de uso. Si no estuviera, sustituya el cable dañado por otro que respete las especificaciones técnicas y de seguridad. Esta sustitución deberá ser hecha por un profesional calificado y deberá respetar las normas locales de seguridad.

**IMPORTANTE**

Este equipo no es para ser utilizado por personas (inclusive niños) con capacidades físicas o mentales reducidas, o con falta de experiencia o conocimiento, a no ser que tengan recibido supervisión o instrucción referente al uso de este equipo por una persona responsable por la seguridad del mismo.

**IMPORTANTE**

Mantenga este equipo alejado de los niños.

**IMPORTANTE**

En casos de emergencia, retire el enchufe de la toma corriente.

**IMPORTANTE**

Nunca use chorros de agua directamente sobre el equipo.

**IMPORTANTE**

Se recomienda instalar en el local de uso EXTINTORES DE INCENDIO, clase K (patrón USA), ó de acuerdo con las normas y exigencias locales.

**IMPORTANTE**

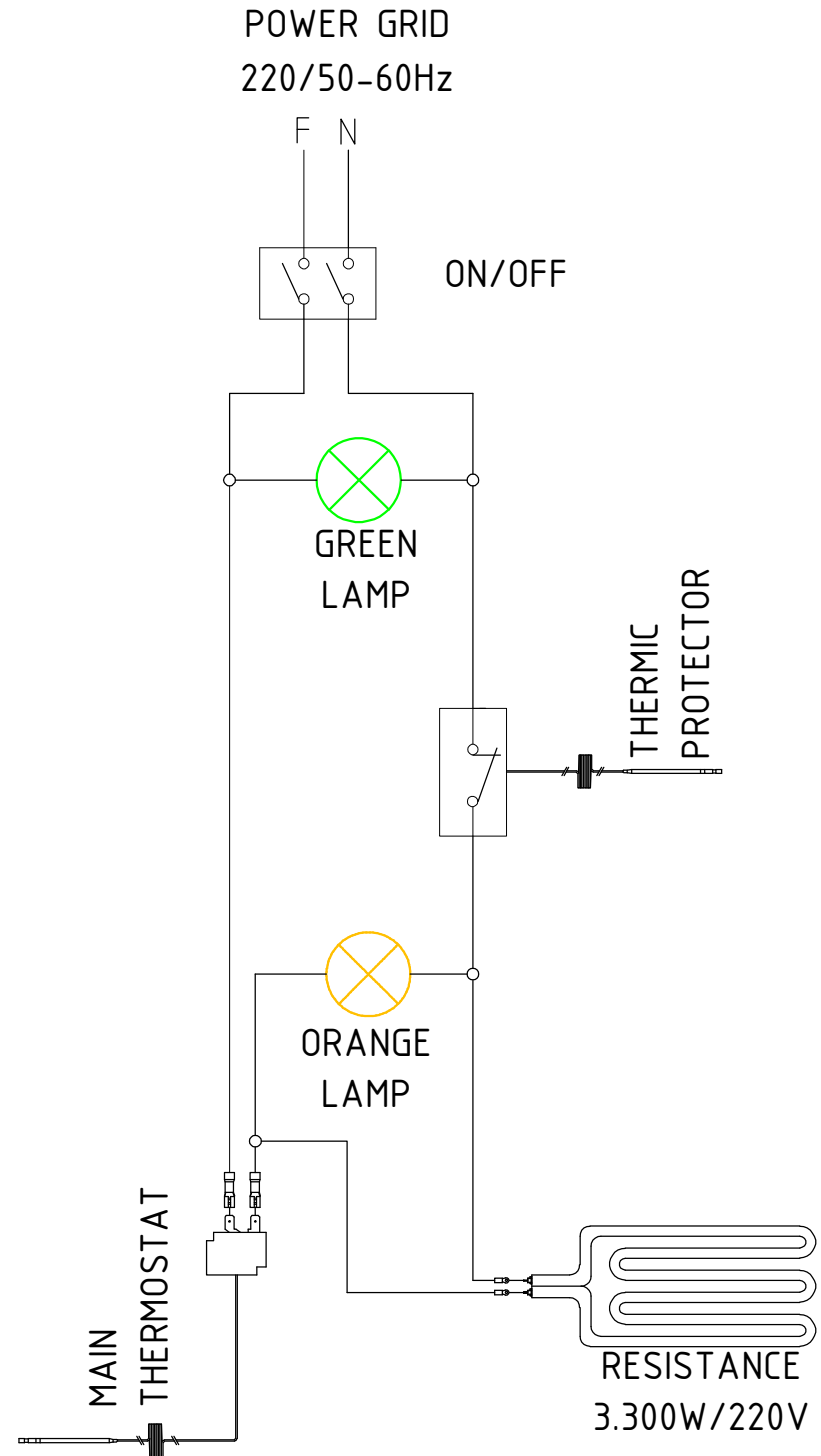
Certifíquese que la carga de aceite esté siempre al nivel indicado, pues caso el nivel esté abajo del especificado podría causar un incendio.

**IMPORTANTE**

Se tenga mucho cuidado para evitar surtos de ebullición caso se alimente el equipo con productos muy húmedos ó en cantidad exagerada.

**IMPORTANTE**

Verifique si en el Panel de control N°02 (Fig.01) está bajado, en su posición final, pues para su seguridad la máquina no prenderá si el mismo no está en su posición de trabajo.



# INDICE

<b>1. Introducción .....</b>	<b>21</b>
<b>1.1 Seguridad .....</b>	<b>21</b>
<b>1.2 Principales Componentes.....</b>	<b>23</b>
<b>1.3 Características Técnicas.....</b>	<b>24</b>
<b>2. Instalación y Pre Operación .....</b>	<b>24</b>
<b>2.1 Instalación .....</b>	<b>24</b>
<b>2.2 Pre Operación.....</b>	<b>25</b>
<b>3. Operación.....</b>	<b>26</b>
<b>3.1 Accionamiento.....</b>	<b>26</b>
<b>3.2. Limpieza .....</b>	<b>27</b>
<b>3.3 Sistema de seguridad .....</b>	<b>28</b>
<b>3.4 Cuidados con los aceros Inoxidables .....</b>	<b>29</b>
<b>4. Nociones Generales de Seguridad .....</b>	<b>30</b>
<b>4.1 Practicas Básicas de Operación .....</b>	<b>30</b>
<b>4.2 Cuidados y Observaciones Antes de Prender la Maquina .....</b>	<b>31</b>
<b>4.3 Inspección de Rutina.....</b>	<b>32</b>
<b>4.4 Operación.....</b>	<b>32</b>
<b>4.5 Después de Terminar el Trabajo .....</b>	<b>32</b>
<b>4.6 Mantenimiento.....</b>	<b>33</b>
<b>4.7 Avisos .....</b>	<b>33</b>
<b>5. Análisis y Resolución de Problemas .....</b>	<b>33</b>
<b>5.1 Problemas, Causas y Soluciones.....</b>	<b>33</b>
<b>6. Normas observadas .....</b>	<b>35</b>
<b>7. Diagrama Eléctrico .....</b>	<b>36</b>

## 1. Introducción

### 1.1 Seguridad

Cuando usado incorrectamente este equipo es una maquina potencialmente PELIGROSA. El mantenimiento, la limpieza u otro cualquier servicio, debe ser hecho por una persona debidamente entrenada y la maquina deberá estar desenchufada de la red eléctrica.

Para evitar cualquier accidente siga las siguientes instrucciones:

1.1.1 Lea todas las instrucciones.

1.1.2 Para evitar riesgos de choque eléctrico y daños a la maquina, nunca la use con ropas ó pies mojados y/ó en superficies húmedas ó mojadas, no la sumerja en agua ó cualquier otro liquido y no use chorro de agua directamente contra el equipo.

1.1.3 Siempre debe haber supervisión del equipo cuando en uso, principalmente cuando hubiera niños cerca.

1.1.4 Desenchufe el equipo de la toma corriente cuando el equipo no estuviera en uso, antes de la limpieza, ó antes de instalar o remover accesorios, o aún cuando en mantenimiento u otro tipo de servicio.

1.1.5 No use el equipo cuando tenga el cable damnificado. No deje que el cable de alimentación se quede en el borde de la mesa, o esté en contacto superficies calientes.

1.1.6 Cuando el equipo se haya caído, estuviera damnificado de alguna manera ó no funcione llévelo hasta un Servicio Técnico para revisión y reparo.

1.1.7 Usar accesorios no recomendados por el fabricante puede proporcionar lesiones corporales.

1.1.8 Mantenga las manos ó cualquier otro objeto lejos de todas las partes calientes mientras el equipo estuviera funcionando para evitar lesiones corporales y/o daños al equipo.

1.1.9 Certifíquese que la tensión del equipo y de la red eléctrica sean iguales, y que el equipo esté conectado a tierra.

1.1.10 Nunca toque en las resistencias N° 06 (Fig.01) ni en el aceite mientras el equipo estuviera prendido ó en tiempo de enfriamiento, pues ellos estarán calientes y pueden causar quemaduras.