



**INSTRUCTIONS MANUAL
MANUAL DE INSTRUCCIONES**



PIZZA DOUGH OPENER / ABRIDORA DE MASA DE PIZZA

MODELO

**AMP-400
AMP-500**

63696.7 - PORTUGUÊS
Data de Revisão: 08/01/2021
Metalúrgica Skymssen Ltda.
Rodovia Ivo Silveira 9525
Volta Grande
88355-202 Brusque/SC/Brasil
www.skymssen.com - Fone: +55 47 3211 6000
CNPJ: 82.983.032/0001-19 - IE 250.064.537

SUMMARY

1. INTRODUCTION	2
1.1 Safety	2
2. COMPONENTS AND TECHNICAL CHARACTERISTICS	3
3. INSTALLATION AND PRE-OPERATION	4
3.1 Positioning.....	4
3.2 Electrical Installation.....	4
4. OPERATION.....	5
4.1 Starting.....	5
4.2 Operational Procedures	5
5. CLEANING	5
6. MAINTENANCE	5
7. PROBLEM SOLVING	6
8. ELECTRICAL DIAGRAM	7

1. INTRODUCTION

1.1 Safety

When incorrectly used, this equipment is a potentially DANGEROUS machine. Cleaning, maintenance and any other service on the machine must be made by properly trained personnel, and the machine must be always disconnected from the electric network.

The instructions below must always be followed in order to avoid accidents:

1.1.1 Read this instructions

1.1.2 To prevent from the risk of an electric shock and damage to the equipment, never use it with wet clothing and feet on a wet or humid surface. Never dip it in water or any other liquid. Do not spray water directly upon the equipment.

1.1.3 The use of any equipment must be always supervised, especially when it is used near children.

1.1.4 Disconnect the machine from the socket when: It is not in use, It is necessary to insert or remove any parts, It is necessary to insert or remove accessories, when cleaning,

repairing or servicing the equipment.

1.1.5 Never use any equipment with damaged cords or/ and plugs. Do not place the electric cord on table/counter edges or upon hot surfaces.

1.1.6 If your equipment is not working properly, or when it suffers any impact during a drop or has been damaged somehow, contact Technical Assistance for maintenance.

1.1.7 The use of accessories not recommended by the manufacturer may cause physical injuries.

1.1.8 When the equipment is turned on, keep hands and any tools away from its moving parts. This will prevent from physical injuries and damages to the machine.

1.1.9 During operation, never use clothes with wide sleeves specially at the wrist.

1.1.10 When making the electric connection of the equipment, be sure the equipment voltage is the same as the network electric voltage.. Provide a correct grounding in accordance to your local safety standards.

1.1.11 Never operate the equipment if the front door is removed.

⚠ Make sure the electric cord is in perfect usage conditions. In case it is not, have it replaced by another that complies with the technical and safety specifications. This replacement must be carried out by qualified personnel and must attend the local safety standards.

⚠ This equipment must not be used by children or any persons with reduced physical or mental aptness, lack of experience or knowledge, unless they are under supervision or have received from the person responsible for safety, proper instructions on how to use the equipment.

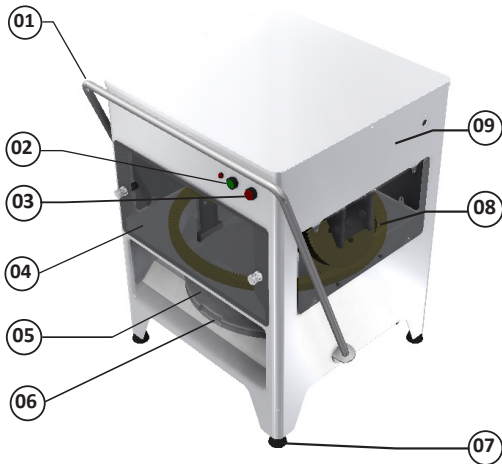
⚠ Children shall be watched in order to avoid them to play with the equipment.

⚠ In case of emergency take off the plug from its socket.

⚠ Never spray water directly on to the equipment.

2. COMPONENTS AND TECHNICAL CHARACTERISTICS

Picture 01



- 01 - Handle
- 02 - ON Switch
- 03 - OFF Switch
- 04 - Front Protection
- 05 - Shape Base

- 06 - Disc Base
- 07 - Feet
- 08 - Conic Rolls
- 09 - Housing

TABLE 01

CHARACTERISTICS	UNIT	AMP-400	AMP-500
Disc Diameter	Inch	15. 3/4	20
Rotation	rpm	40	40
Voltage	V	110 or 220	110 ou 220
Frequency	Hz	50 or 60	60
Power Rating	HP	1/2	1/2
Height	Inch	29. 3/4	31 7/8
Width	Inch	27. 3/4	30 5/8
Depth	Inch	23. 1/4	25 5/8
Net Weight	lbs	135	192
Gross Weight	lbs	155	274

This Equipment comes with a few discs that can be used on both sides. Please refer to TABLE 02 below for exact diameters.

One side of the disc is flat (Picture 02) and the other side has a groove (Picture 03) that allows for making pizza with a border of 1" wide approx. in different diameters.

The maximum pie diameter for each model, AMP- 400 and AMP-500, is listed on TABLE 02 below:

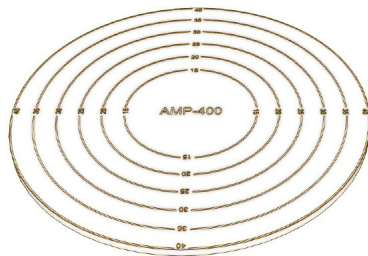
TABLE 02

TITLE	UNIT		DIAMETER OF THE DISC (AMP-500)
Dough Tray with 12 Edge	Inch	10	-
Dough Tray with 12 Edge	Inch	12	12
Dough Tray with 14 Edge	Inch	14	14
Dough Tray with 16 Edge	Inch	15. 3/4	16
Dough Tray with 18 Edge	Inch	-	18
Dough Tray with 20 Edge	Inch	-	20

The discs allow for opening a pizza pie on the flat side (without border - Picture 02) up to 15 3/4" in diameter on AMP- 400 and 20" on AMP-500 (as indicated on the Table 02 above) and with border in different diameters on the other side (Picture 03).

Choose a disc that best suits your needs:

PICTURE 02 (Flat Side)



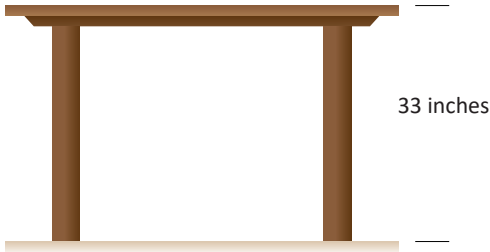
PICTURE 03 (Grooved Side)



3. INSTALLATION AND PRE OPERATION

3.1 Positioning

Your equipment must be placed and levelled on a dry and firm surface with, preferably, 33 inches high.



3.2 Electrical Installation

Please verify the voltage informed on the label attached to the cord when you unpack it. The feeding cord has 3 pins, the central pin is for grounding.

It is mandatory that all 3 pins are correctly connected before turning the equipment on.

Plug in the feeding cord.

⚠ Make sure the network voltage is the same as indicated on the cord label.

4. OPERATION

4.1 Starting

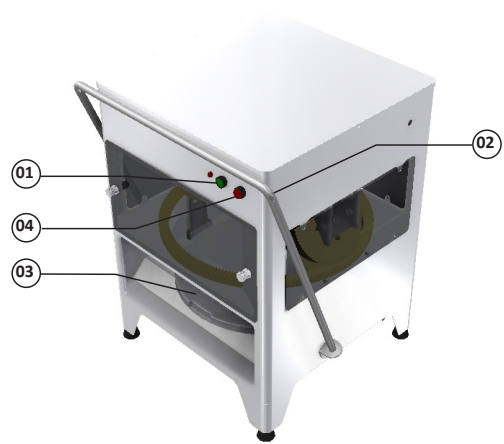
1 – Push the On Button #01 (Pic. 04) to turn on the machine.

For safety reasons, the Cones will not start. They only start spinning when you push the Handle down #2 (Pic. 04).

Push the Handle #2 down until the Cones start spinning.

To stop the Cones just return the handle to its original position.

After the job is done, turn the Equipment OFF by pushing the OFF Button #04 (Pic. 04).



4.2 Operation Procedures

Before using the equipment, all parts that get in contact with the product to be processed must be washed with water and neutral soap. (Read item 3.3 Cleaning and Sanitizing).

Verify if the equipment is stable and firm in its working place.

⚠ This equipment features a safety system to protect the operator. The operator shall follow the steps on the Operation instructions solely; any other steps are unsafe and shall not be taken.

Remove the Disc #3 (Pic. 04).

Spread a small quantity of flour over the Disc.

Place the dough Ball on the center of the Disc.

Spread a small quantity of flour over the dough ball. Place the Disc back into the Equipment. With an easy and continuous move, push the Handle #2 (Pic 4) down, in order for the dough ball to get in contact with the cones.

Keep the handle pressed down making more pressure on the handle during a few seconds until the dough gets to desired thickness and diameter. It is recommended to use both hands to perform this step for a firmer grip and better control.

After getting the desired thickness and diameter, return the handle to its original position.

Remove the Disc #3 (Pic. 4) out of the unit and the dough from the Disc.

Repeat the above steps to make more pizza pies.

After finishing work, turn the Equipment off by pushing the OFF Button #04 (Pic. 04).

⚠ The dough thickness and diameter is a result of the dough ball size and the pressure you put on the handle during operation.

Cold Fermented Pizza Dough is a long fermentation dough, and its cooling tends to bring an immediate shrinking of pizza disc right after it was opened with the hand roll, or in the dough laminating roller. The same thing happens after opening the pizza disc in the AMP-400 or AMP-500.

So, when such a dough is opened, you need to consider the shrinking in its making. For example, if you want a 35 Cm pizza disc, you'll need to open a 40 Cm pizza disc, then it will shrink to 35 Cm giving you the final result that you want.

Cold Fermented Pizza dough must rest outside the fridge for at least 30 minutes.

4.2.1 Dough thickness

1- In the AMP-400 and AMP-500 the thickness is obtained using the lever, the operator will define the thickness and the size of the disc according to the pressure applied when pulling the lever down and according to the weight of the dough ball (in grams) placed on the tray. It is necessary to keep the lever pressed down a few seconds. It is more comfortable to operate it pulling the lever down with both hands, until the pizza disc reaches the desired thickness and size. The trays have markings indicating different sizes.

2 - The following is an approximate dough ball weight x diameter relation: 250gr to get a 25 Cm disc, 300 gr to get a 30 Cm disc, 400 gr to get a 40 Cm disc, 450 gr to get a 45 Cm disc and 500 gr to get a 50 Cm disc.

4.2.2 Dough with humidity higher than 58%

This type of dough is not indicated to be opened at the AMP-400 and AMP-500, due to its high level of humidity. The high humidity makes the dough get wrapped around the opening cones. There is one option that enables the opening of this type of dough, it requires the use of parchment paper. A parchment paper sheet must be placed on the tray of the AMP-400 and AMP-500, and cover its entirety, the dough ball must be positioned at the center, be covered with flour, and then another parchment sheet must be placed on top of it. Only after that the operator can initiate the opening procedure.

5. CLEANING

⚠ Unplug the machine from socket before start cleaning.

Equipment must be totally cleaned:

- Before using it for the first time;
- After daily operation;
- When it will not be used for long periods of time;

To clean the Equipment follow the instructions below:

- Unplug the machine from socket.
- Remove the Disc #6 (Pic. 01).

Normally the place with more concentration of residues is the Disc and the Disc Base.

The Disc can be removed and washed individually, using a cloth or sponge with a little of water and neutral soap.

It is not possible to remove the Disc Base for cleaning. Clean the top of the Disc Base with a wet cloth and little neutral detergent and wipe it dry. To facilitate access under the Disc Base for cleaning, pull the Handle down to lift it up and use the Handle Lock #3 (Pic. 01) to lock it in place and clean underneath it the same way as described above.

To access the Cones, leave the Disc Base completely down to have free access to both Cones.

In case the Cones or any other parts are covered with dry dough or flour, proceed as per below instructions:

- Get a wet soft cloth or sponge with little neutral detergent and pass over the area covered with dry dough or flour.
- Wait for a few seconds and right after this, use a plastic scraper to remove the dough or flour from the parts.
- Repeat these cleaning instructions with a wet cloth or sponge and neutral detergent if necessary.
- Finalize the cleaning with a soft dry cloth to wipe dry the entire unit.

⚠ Never spray water directly to the equipment.

Use Your QR Code Reader to access more information regarding the cares needed when handling stainless Steel.



6. MAINTENANCE

Maintenance must be considered a set of procedures with the purpose to keep the equipment best operating conditions, therefore increasing the equipment life and safety.

* Cleaning – check item 3,4 Cleaning

* Wiring - Check all wires regarding deteriorate conditions as well as all electric contacts (terminals) regarding tightening and corrosion.

*Contacts – ON/OFF switch, emergency button, reset button, electronic circuits etc, check the equipment in order to assure that all components are correctly working and the equipment operation is normal.

* Installation – make sure the installation followed item 2.1 instructions

* 1 – Each month check :

- Check the electrical installation
- Measure the voltage at the socket
- Measure the working current and match it with the nominal current
- Check the tightening of all electric terminals to avoid bad contacts
- Check electric motor shaft clearance
- Check the wiring for overeating, insulation failures and mechanical damages.

*2 Each three month checks

- Check electrical components such as ON/OFF switch, emergency button, reset button, electronic electric circuits, overeating, insulation failings, or mechanical damages
- Check bearings clearances
- Check retainers, O'rings, V'rings and other seals

Use Your QR Code Reader to access more information regarding safety and maintenance.



7. PROBLEM SOLVING

This equipment has been designed to operate with the need of minimum maintenance but the natural wearing caused by longer use of the equipment may occasionally cause some malfunctions.

If such problem occurs with your Blender refer to Table O2 in which the most common situations are listed with recommended solutions.

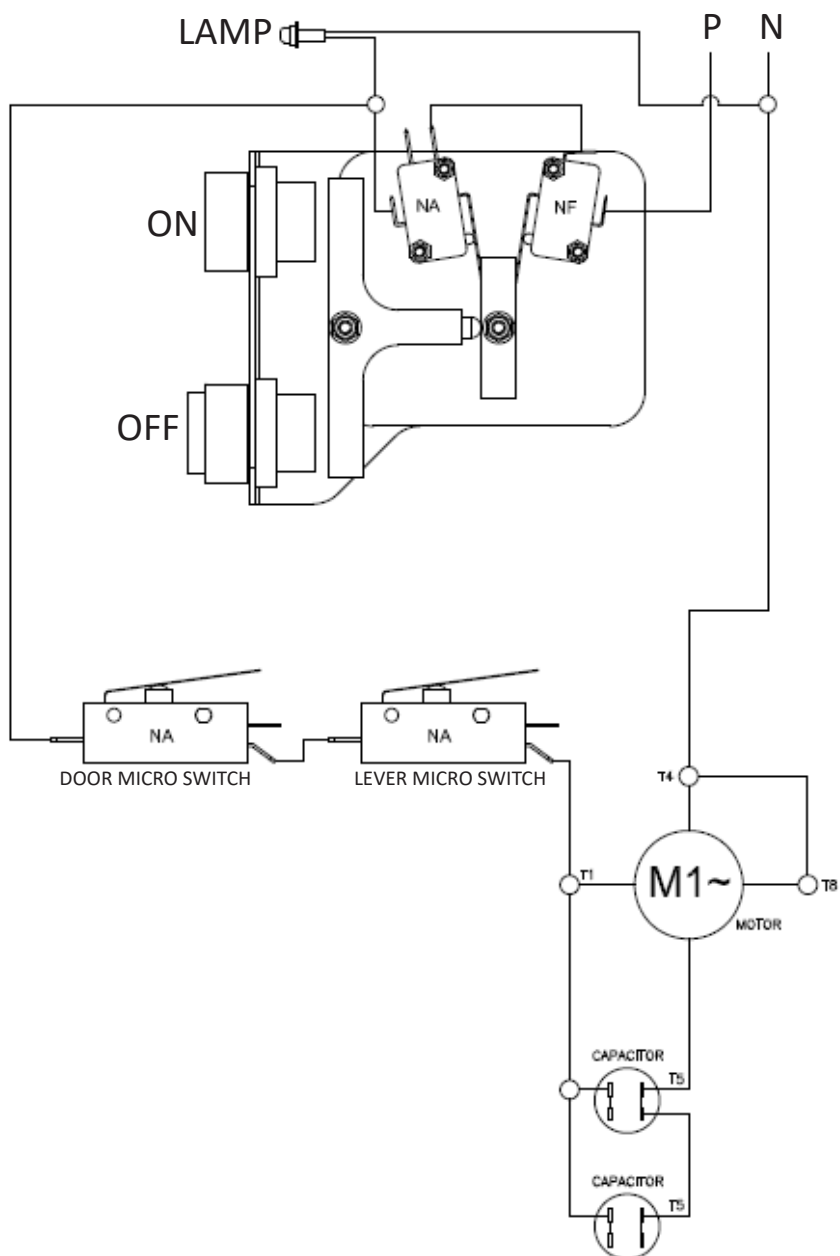
TABLE 02

PROBLEM	CAUSES	SOLUTIONS
The machine does not switch on.	Lack of power. Problem with the electric circuits	Check if machine is plugged in and if there is power in the power supply source. Call technical assistance
Smoke smell or smoke.	Problem in the electric circuit.	Call technical assistance.
The machine switches ON but when the product is placed, the motor stops or turns to slow.	Problem with the electric motor.	Call technical assistance.
Power cord damaged.	Damage during transportation.	Call technical assistance.
Abnormal noises	Problem with the bearing	Call technical assistance.

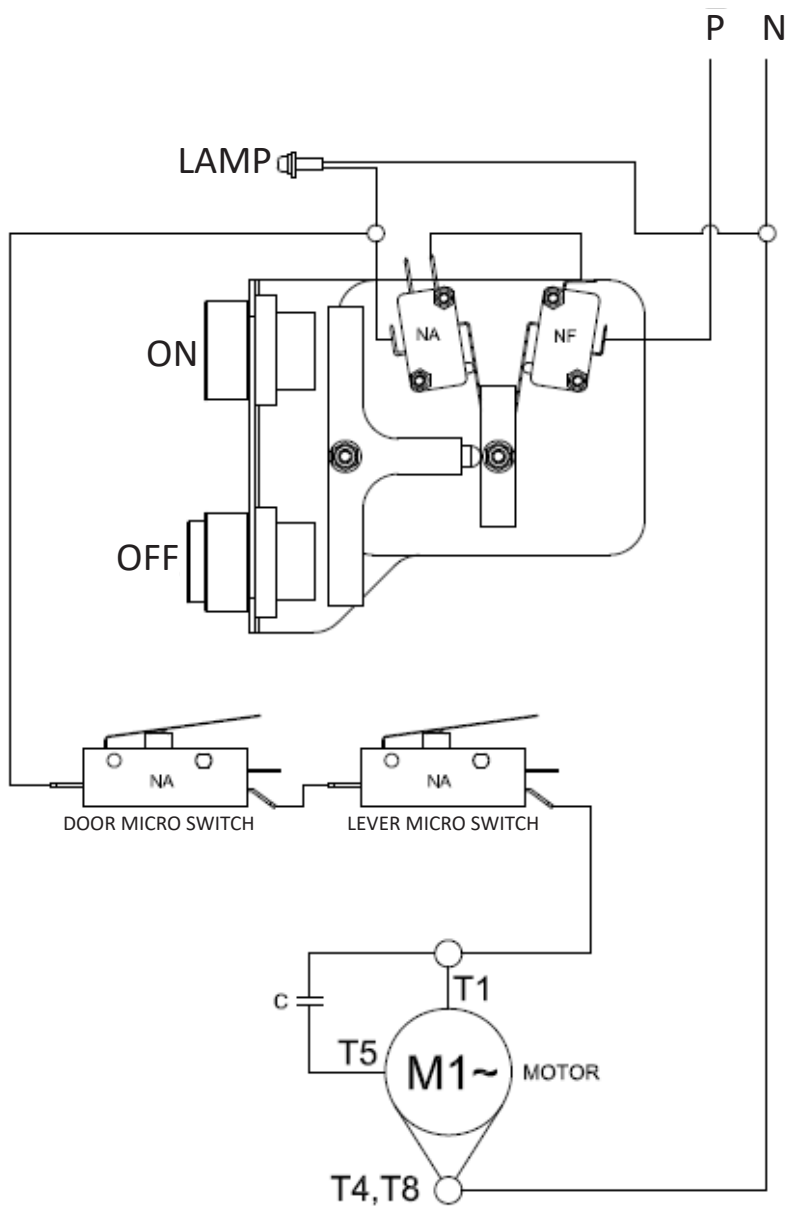
8. ELECTRICAL DIAGRAM

AMP-400 110V 60Hz

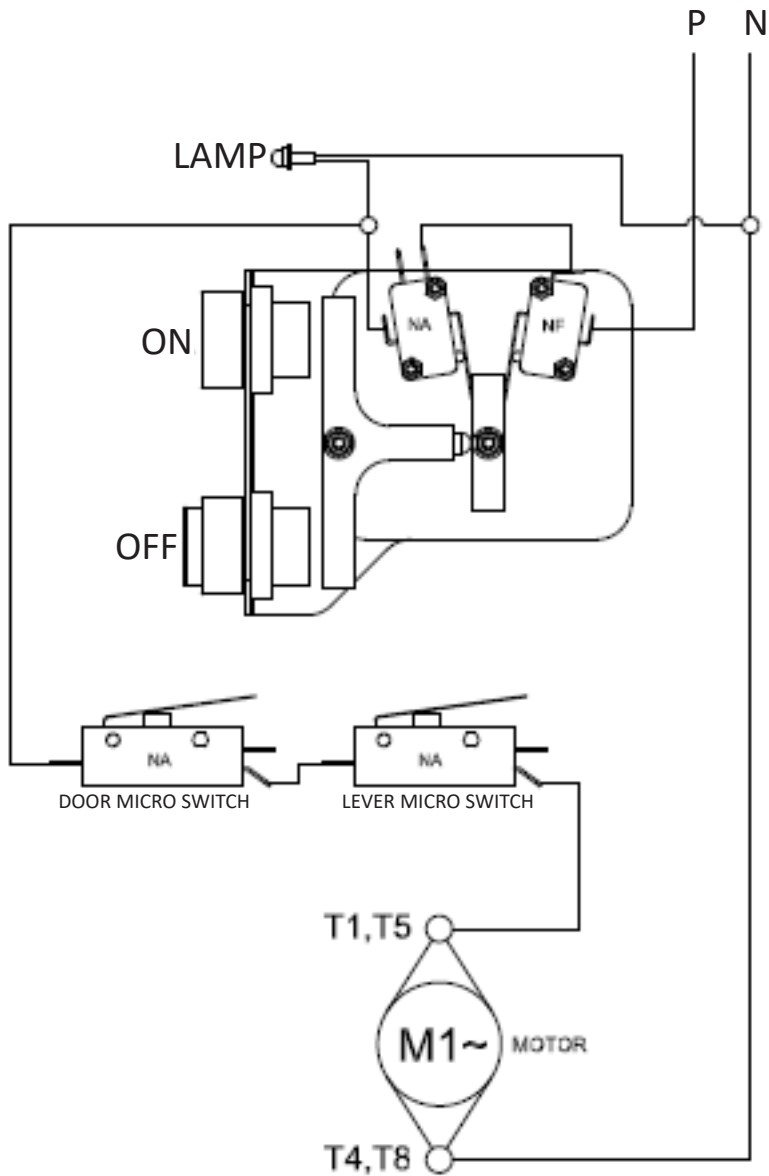
ELECTRIC NETWORK



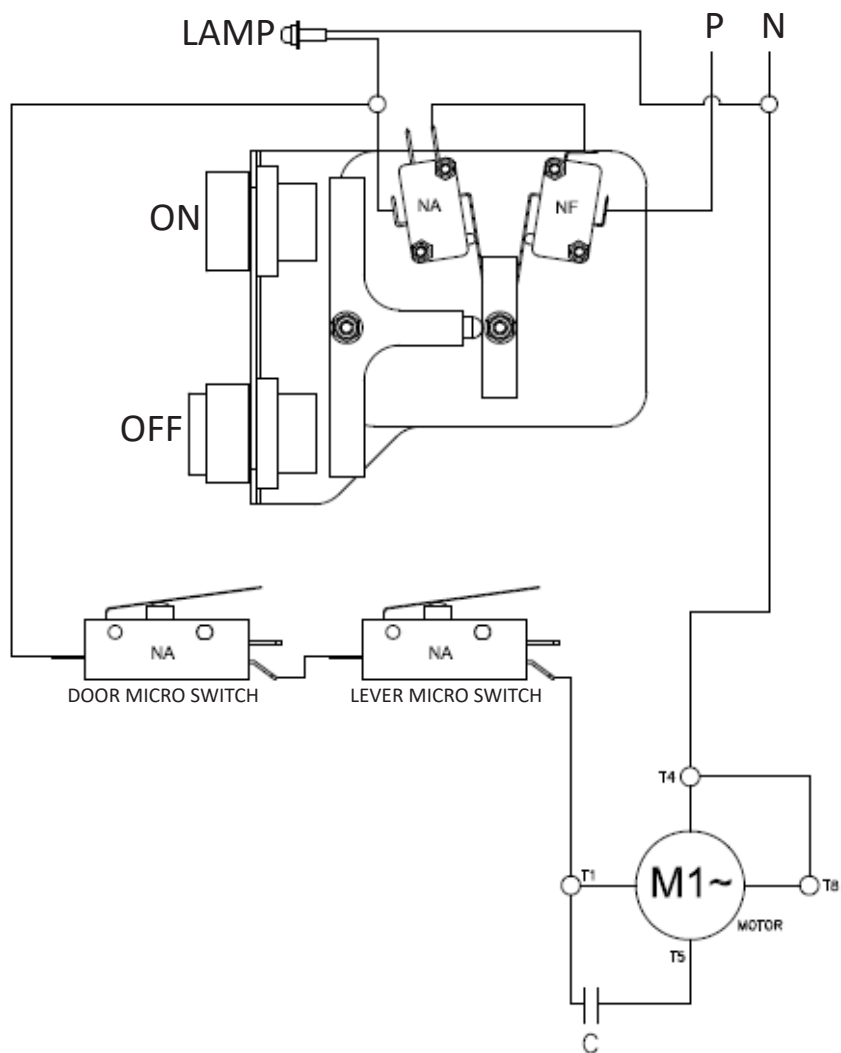
ELECTRIC NETWORK



ELECTRIC NETWORK



ELECTRIC NETWORK



INDICE

1. INTRODUCCIÓN.....	12
1.1 Seguridad	12
2. COMPONENTS Y CARACTERÍSTICAS TÉCNICAS	13
3. INSTALACIÓN Y PRÉ-OPERACIÓN. 14	
3.1 Posicionamiento	14
3.2 Instalación Eléctrica	14
4. OPERACIÓN	14
4.1 Iniciando.....	14
4.2 Procedimiento para Operación	14
5. LIMPIEZA	15
6. MANUTENCIÓN	15
7. RESOLUCIÓN DE PROBLEMAS	16
8. DIAGRAMA ELECTRICO	18

1. INTRODUCCIÓN

1.1 Seguridad

Este equipo es indicado para el ablandamiento de carnes y es una máquina potencialmente peligrosa cuando se utiliza incorrectamente. Mantenimiento, limpieza o cualquier otro servicio, debe ser hechas por una persona debidamente entrenada y con el equipo desconectado de la red Eléctrica.

Deben seguirse las siguientes instrucciones para evitar accidentes:

1.1.1 Para evitar el riesgo de descarga eléctrica y daños al equipo, no utilice el mismo con la ropa o los pies mojada o húmeda y superficie, ni la sumerja en agua u otro líquido o utilice chorro de agua directamente en la máquina.

1.1.2 Deben siempre ser supervisados cuando use cualquier equipo, especialmente cuando es ser usado cerca de niños.

1.1.3 Desconecte el aparato de la red cuando: no está en uso, antes del accesorio para cortar insertar o quitar accesorios, cuando está en mantenimiento, o cualquier otro tipo de servicio.

1.1.4 No use cualquier equipo que tenga un cable

o enchufe dañado. No permita que el cable de poder permanecer en el borde de una mesa o mostrador o toque superficies calientes.

1.1.5 Si su aparato no funciona correctamente o cuando este sufrir una caída o ha sido dañado de alguna forma, llevarlo a asistencia técnica más junto a la revisión, reparación, ajuste eléctrico o mecánico.

1.1.6 El uso de accesorios no recomendados por el fabricante del aparato puede provocar lesiones personal.

1.1.7 Mantenga las manos y cualquier utensilio de pieza móvil lejos del aparato mientras esté en marcha para evitar lesiones personales o daño a la equipo.

1.1.8 Nunca usar con mangas anchas, especialmente en las muñecas, durante la operación.

1.1.9 Verificar si el voltaje de la máquina y de la corriente son iguales y si la máquina está correctamente conectada a tierra.

1.1.10 Maneje con cuidado los rodillos seccionadores N ° 04 (fig. 01) porque la misma tiene las hojas afiladas.

⚠ Asegúrese de que el cable de alimentación esté en perfectas condiciones para su uso. Caso no, hacer el reemplazo del cable dañado por otro que cumpla con las especificaciones técnicas y de seguridad.

Esta sustitución debe ser realizada por un profesional calificado y debe cumplir con las normas de seguridad locales.

⚠ Este equipo no está diseñado para su uso por personas (incluyendo a niños) con capacidades físicas, sensoriales o mentales reducidas, o falta de experiencia y conocimientos, a menos que hayan recibido instrucciones sobre el uso del equipo o están bajo la supervisión de una persona responsable de su seguridad.

⚠ Se recomienda que los niños deben ser supervisados para asegurar que no estén jugando con el equipo

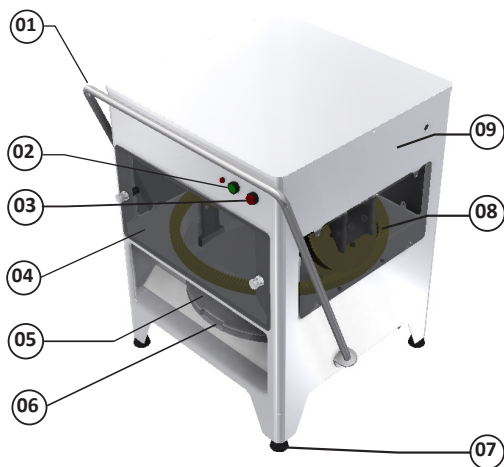
⚠ En caso de emergencia, desconecte el enchufe de la toma de corriente.

⚠ Nunca use chorros de agua directamente en el equipo.

2. COMPONENTS Y CARACTERÍSTICAS TÉCNICAS

TABLA 02

FIGURA 01



- 01 - Palanca
- 02 - Llave Prende
- 03 - Llave Desliga
- 04 - Protección Frontal
- 05 - Bandeja

- 06 - Base Modeladora
- 07 - Pé
- 08 - Rodillos Cónicos
- 09 - Gabinete

TABLA 01

CARACTERÍSTICAS	UNIDAD	AMP-400	AMP-500
Diametro Disco	Inch	15. 3/4	20
Rotación	rpm	40	40
Voltage	V	110 o 220	110 o 220
Frecuencia	Hz	50 o 60	60
Potencia	HP	1/2	1/2
Altura	Inch	29. 3/4	31 7/8
Ancho	Inch	27. 3/4	30 5/8
Profundida	Inch	23. 1/4	25 5/8
Peso Neto	lbs	135	192
Peso Bruto	lbs	155	274

Equipo viene con algunas bandejas para abrir la masa que tiene un lado flat y otro de acuerdo con la tabla 2 para distintos tamaños de pizza con borda.

En el lado opuesto (Figura 03), la bandeja hace la pizza con borda de 1in proximadamente.

El tamaño (ancho) máximo de la pizza (pie) en los modelos AMP- 400 e AMP-500 están mencionados en la TABLA 2 abajo.

TITLE	UNIDAD	DIAMETRO DE LA BANDEJA (AMP-400)	DIAMETRO DE LA BANDEJA (AMP-500)
Bandeja con 10 Borda	Inch	10	-
Bandeja con 12 Borda	Inch	12	12
Bandeja con 14 Borda	Inch	14	14
Bandeja con 16 Borda	Inch	15. 3/4	16
Bandeja con 18 Borda	Inch	-	18
Bandeja con 20 Borda	Inch	-	20

La bandeja permite abrir la masa hasta el diametro de 15.3/4 inches (AMP- 400) o 20 inches (AMP-500) en un lado (Fig. 02) y en lado opuesto permite abrir la masa con borda con el ancho especificado de cada bandeja en la TABELA 2 (Fig. 03).

Elija la mejor bandeja para su producto final.

FIGURA 02 (Flat Side)

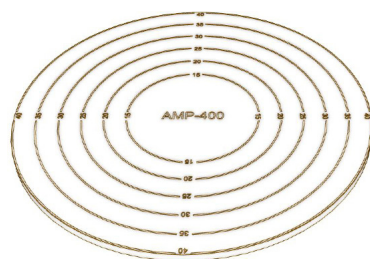


FIGURA 03 (Grooved Side)

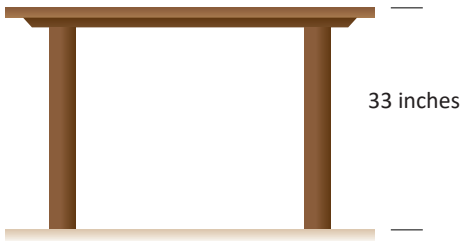


3. INSTALACION AND PRE-OPERATION

FIGURA 04

3.1 Posicionamiento

Su equipo debe ser colocado y nivelado en un lugar seco superficial y firme con preferiblemente 850 mm de alto.



3.2 Instalación Eléctrica

Favor averiguar la voltaje informada en la etiqueta del cable cuando sacar la maquina de la embalaje. En enchufe tiene 3 pinos donde el pasador central es el tierra.

Es obligatorio que los tres puntos estén conectados correctamente antes de prender el equipo. Conecte el cable en la red eléctrica.

⚠ Averigue que el voltaje indicada en el cable es la misma que la red eléctrica.

4. OPERACIÓN

4.1 Iniciando

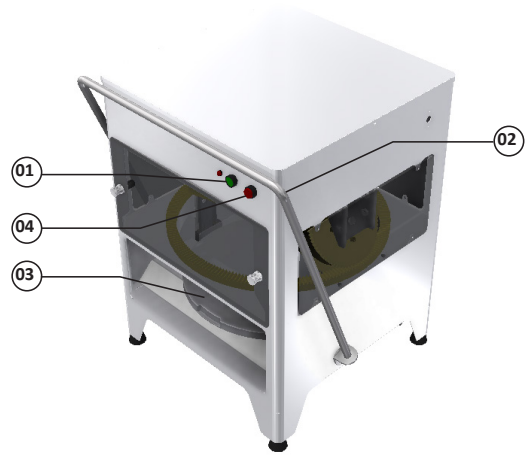
1 – Presione y suelte el botón Prende #01 (Fig. 04) para prender la máquina.

Por seguridad los conos no van se mover. Ellos empiezan a girar cuando la Palanca #2 (Fig 4) es presionada abajo.

Por lo tanto abaje la palanca #2 suavemente, hasta que los conos empiezan a girar.

Para los conos, basta dejar que la Palanca vuelva arriba a su posición original.

Después de cerrar el trabajo, desligue la máquina presionando y soltando el Botón Desligar #04 (Pic. 04).



4.2 Procedimiento de Operación

Antes de utilizar el equipo, todas las partes en contacto con alimentos deben ser limpias con agua y jabón neutro (leer punto 3.3).

Averigue se el equipo esta firme en su local de trabajo.

⚠ El equipo debe seguir las instrucciones del punto "Operación", cualquier otro procedimiento no es seguro no debe ser utilizado.

Remover la bandeja #3 Fig. 04.

Pulverizar un poco de harina en la bandeja.

Después posicione la masa en el centro de la badeja.

Pulverizar un poco de harina en la masa.

Introduzca la bandeja en el equipo arriba de la base. Con un movimiento suave y continuo, abaje la Palanca #2 (Fig 4), para que la masa entre en contacto con los conos.

Mantenga la Palanca bajada, hacienda presión en la Palanca por alguno segundos. Mejor utilizar las dos manos para realizar este proceso hasta que la masa atinja el ancho y espesura deseada.

Después de atingir la espesura y ancho deseado, retorno a palanca a la posición original.

Saque la Bandeja #3 (Fig 4) y retire la masa de la bandeja.

Después de cerra el trabajo , desligue el equipo presionando el botón Desligar # 04 (Fig. 04).

⚠ El espesor de la masa es resultado de la cantidad de masa y la presión que hace con la Palanca.

Masa Madurada o masa madre es una masa de larga fermentación y el resfriamiento de esta masa tiende a encoger la masa cuando es abierta con rodillo/palo o en el cilindro laminador así como en la AMP-400.

Es decir, que mismo abriendo una masa italiana con palo, al necesitar abrir un disco de diámetro de 35cm, precisará abrir un disco de 40cm mínimo para llegar a 35cm final, pues la masa encoje, reduce, se achica.

Dejar la masa madre fuera de la heladera por un tiempo mínimo de 30 minutos.

4.2.1 Espesor de la masa

1- El espesor es alcanzado a través del accionamiento de la palanca, donde el operador de la maquina es quien va a definir el espesor y diámetro según la presión que haga sobre la palanca y el peso del bollo de masa (em gramos); Mantenga la palanca bajada, haciendo presión por algunos segundos. Es más cómodo usar ambas manos para presionar la palanca hasta que la masa alcance el espesor y diámetro deseado, según las marcaciones que cada bandeja ofrece.

2 - Normalmente la cantidad de masa para cada medida de disco de pizza es: 250gr para diámetro 250mm, 300gr para diámetro de 300mm, 400gr para diámetro de 400mm y 450gr para diámetro de 450mm y 500gr para 500mm.

4.2.2 Masa con humedad superior a 58%

Ese tipo de masa no está indicado para trabajar con las Abridoras AMP-400 ó AMP-500 ya que el grado alto de humedad hará pegar la masa en los conos. Hay una posibilidad de usar ese tipo de masa con las abridoras Skymen si el cliente usar una hoja de papel vegetal o papel manteca o papel de hornear. Bastaría colocar una hoja de papel manteca sobre la bandeja de la abridora, luego colocar/centrar la bola de masa empolverarla con harina, cubrir esta masa con otra hoja de papel vegetal e iniciar o proceso de abrir el disco de masa con la abridora.

5. LIMPIEZA

⚠ Desligue la maquina de la red eléctrica antes de limpiar

El Equipo necesita ser totalmente limpio cuando:

- Antes de utilizar por la primera vez;
- Después de la operación diaria;
- Siempre que no utilizado por un periodo largo;
- Algunas partes pueden ser removidas para limpieza (Bandeja #06 Fig 01):

Limpie todas las partes con agua e jabon neutron..

Para limpiar el equipo siga las instrucciones abajo:
Desconecte el cable de la maquina de la red eléctrica.
Saque la bandeja #6 (Fig. 01).

Haga todos los procedimientos de limpieza.

Normalmente, el local con mas acumulo de residuos es la base y la bandeja.

La bandeja puede ser removida para ser limpia individualmente, utilizando un trapo o esponja con agua y jabón neutro.

No es posible sacar la base para limpieza del equipo. Para facilitar acceso utilice la Palanca para levantar la base y tener acceso a la área abajo de la base.

Baje la Palanca #1 (Fig. 01) y tranque en traba #3 (Fig. 01). Esto va mantener la base levantada para facilitar el acceso debajo de la base.

Para tener Acceso a los conos, deje la base totalmente baja.

En esta posición, puede llegar a los conos dentro del equipo, utilizando el mismo espacio que se utiliza poner la masa.

Caso tenga masa seca pegada a los conos o cualquier otra parte siga las instrucciones abajo:

⚠ Never spray water directly to the equipment.

Pase el lector de **QR Code** para obtener informaciones sobre cuidados con los aceros inoxidables.



6. MANUTENCIÓN

El mantenimiento debe ser considerado como un conjunto de procedimientos con el objetivo de conservar el equipo en las mejores condiciones de funcionamiento propiciando un aumento de su vida útil y de su seguridad.

- * Limpieza - verificar el ítem No. 3.3 de este manual.
- * Cableado - verifique todos los cables cuanto a su deterioración y todos los terminales cuanto a su aprieto y corrosión.
- * Contactos – Llave prender/apagar, botón de emergencia, botón rearme, circuitos electrónicos, etc. Verifique el equipo para que todos los componentes estén funcionando correctamente y que la operación del equipo sea normal.
- * Instalación – Verifique la instalación de su equipo de acuerdo con el ítem 2.1 de este manual.

1. verificaciones a ejecutar mensualmente:

- . Verificar la instalación eléctrica.
- . Controlar la tensión de la toma eléctrica
- . Medir la corriente eléctrica y compararla con la corriente nominal
- . Verificar el aprieto de todos los terminales eléctricos para evitar malos contactos.
- . Verificar posibles holguras del eje del motor eléctrico
- . Controlar el cableado eléctrico para identificar señales

de sobrecalentamiento, aislamiento deficiente o avería mecánica.

2. verificaciones a ejecutar cada tres meses:

- Verificar los componentes eléctricos como la llave prender/apagar el botón de emergencia, botón rearme, y circuitos electrónicos con respecto a sobrecalentamiento, aislamiento deficiente o avería mecánica.
- Verificar posibles holguras en los ejes y rodamientos.
- Verificar retenedores, anillos O´ring, anillos V´ring, y otros sistemas de vedamiento.

Pase el lector de QR Code para obtener informaciones sobre seguridad y mantenimiento.



7. RESOLUCIÓN DE PROBLEMAS

Este equipo fue diseñado para necesitar un mínimo de mantenimiento. Sin embargo, pueden ocurrir algunas irregularidades en su funcionamiento debido al desgaste natural causado por su uso.

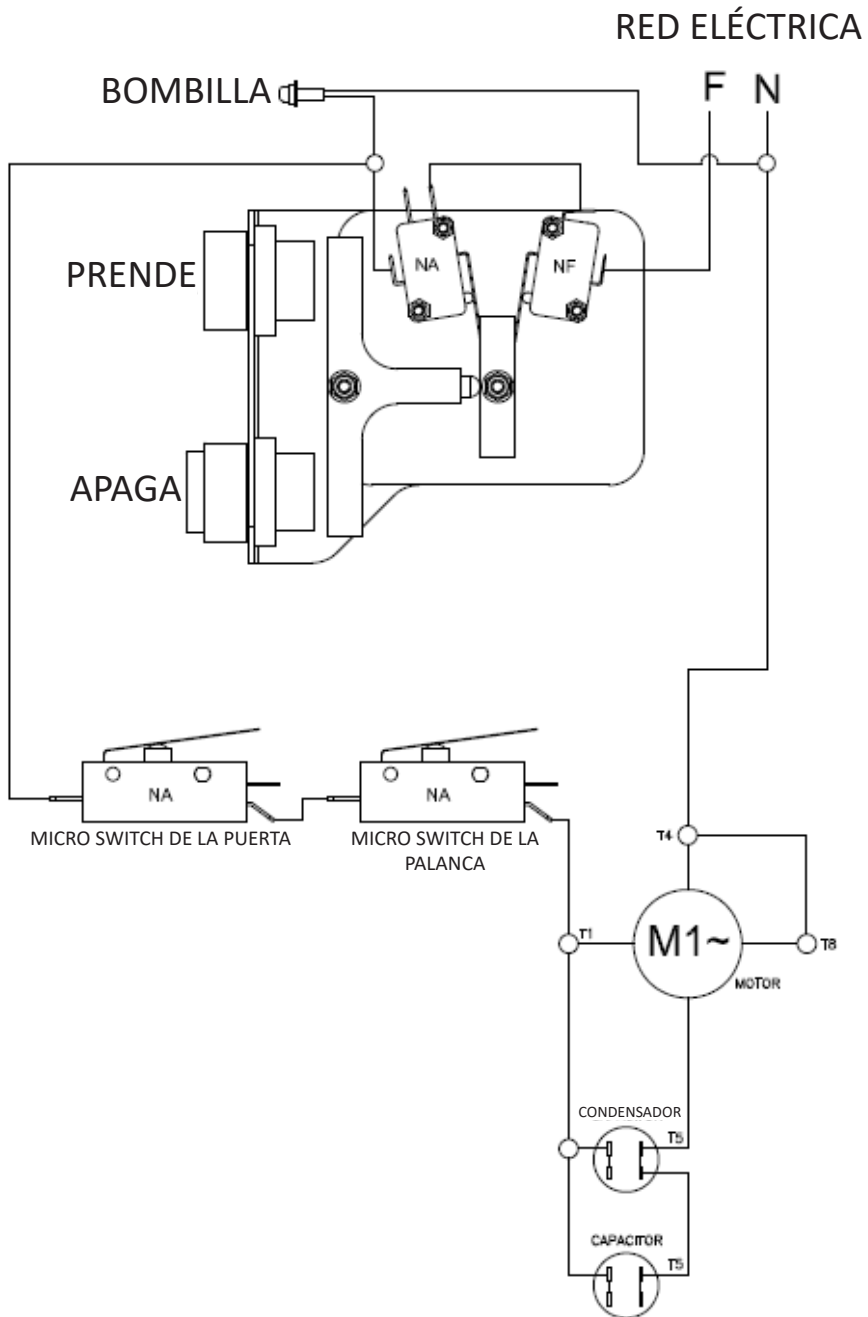
Caso ocurra algún problema verifique la Tabla a seguir, donde están algunas soluciones recomendadas.

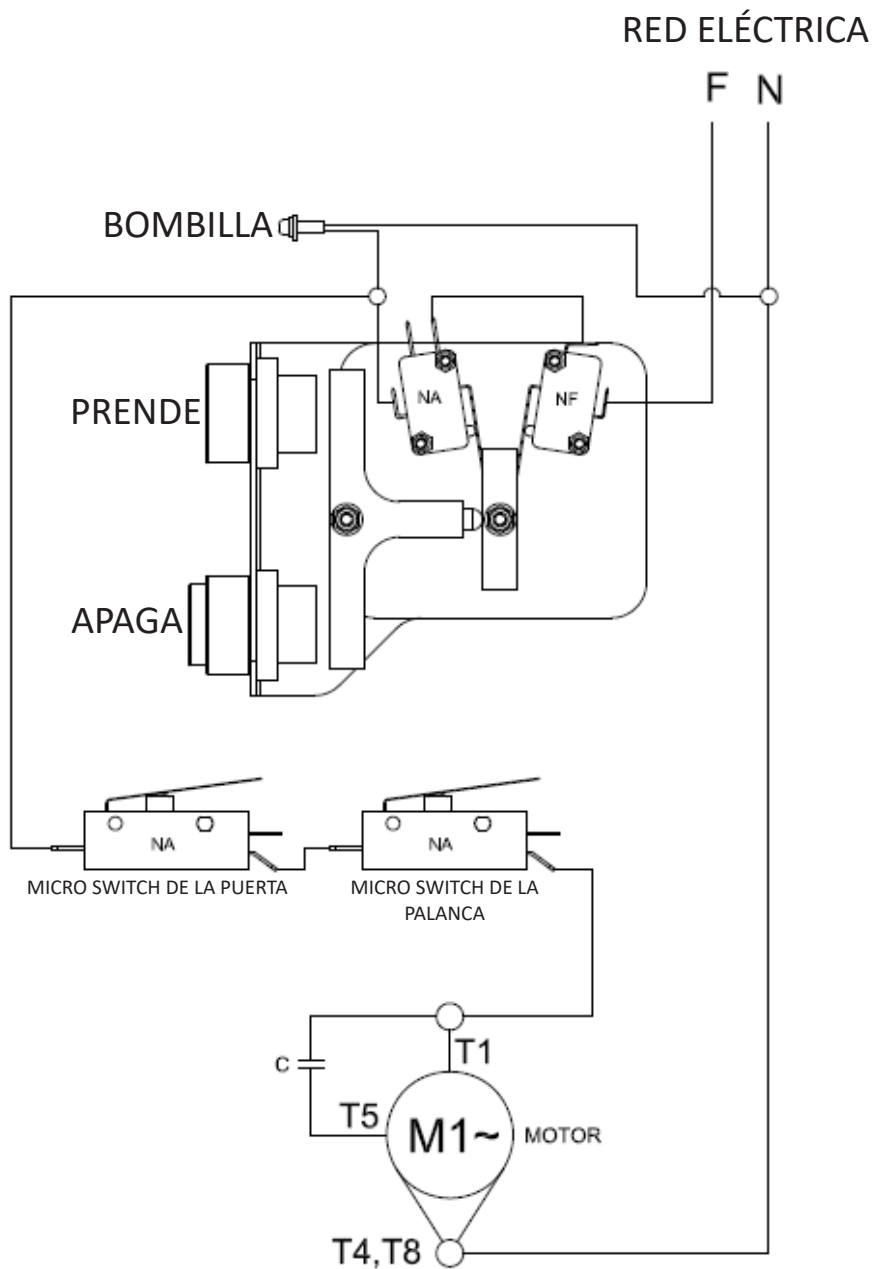
TABLA 04

PROBLEMAS	CAUSAS	SOLUCIONES
El equipo no prende	<p>Procedimiento de accionar incorrecto</p> <p>Falta de energía eléctrica</p> <p>Protector térmico del motor está actuando</p> <p>Problemas con el circuito eléctrico</p>	<p>Leer el ítem 3.1 –accionamiento</p> <p>Verifique se hay energía</p> <p>Aguarde algunos minutos y tente nuevamente</p> <p>Llame el servicio técnico</p>
El equipo para o reduce su velocidad cuando procesa los alimentos	<p>La correa tiene holgura</p> <p>El dispositivo de seguridad de la Tapa de la Cámara tiene falla de contacto</p> <p>Problema con el motor eléctrico</p>	<p>Ajustar la tensión de las correas</p> <p>Llame el servicio técnico</p> <p>Llame el servicio técnico</p>
El producto procesado queda retenido en el interior del equipo	<p>Hace falta el plato expulsor</p> <p>Boca de salida obstruida</p>	<p>Coloque el plato expulsor</p> <p>Desobstruya la boca de salidaa</p>
Corte del producto está irregular	Las cuchillas han perdido el hilo o están con daño	Afile las cuchillas o cambie el disco
Olor de humo o/y quemado	Problema en el circuito eléctrico	Llame el servicio técnico
Cable eléctrico con daño	Falla en el transporte del equipo	Llame el servicio técnico
Ruidos anormales	Problemas con los rodamientos	Llame el servicio técnico

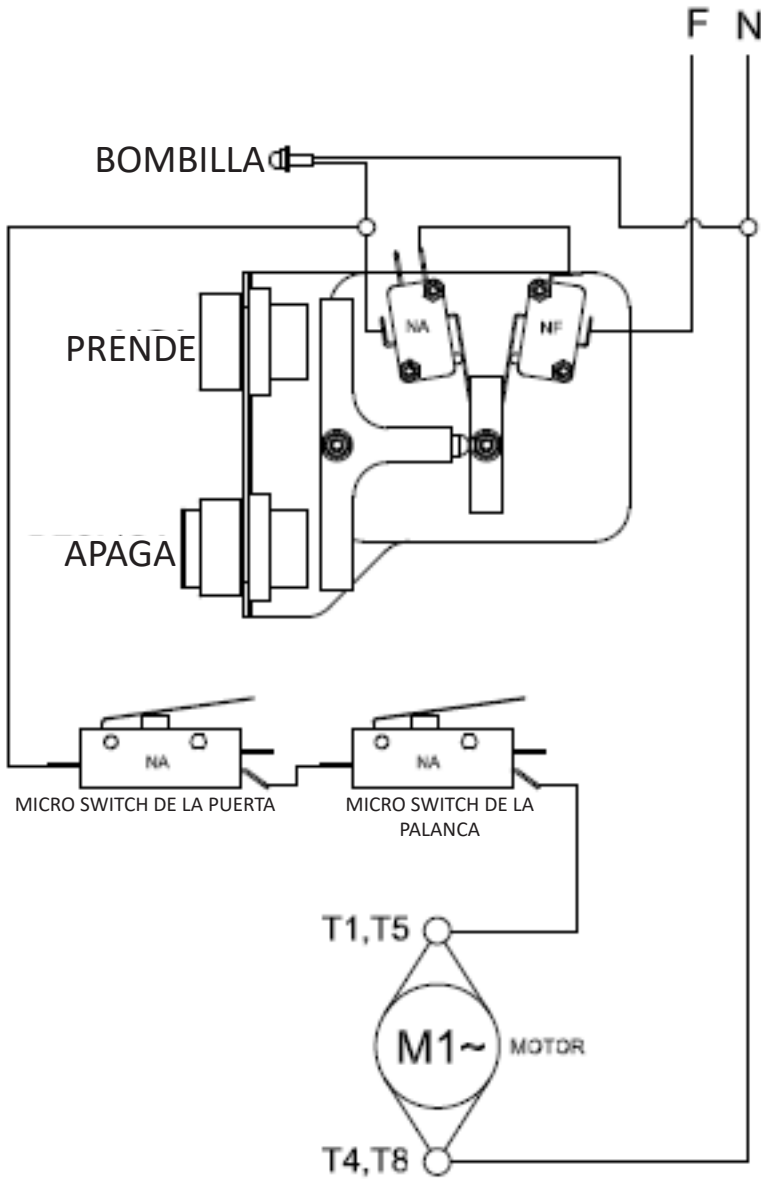
7. Diagrama Eléctrico

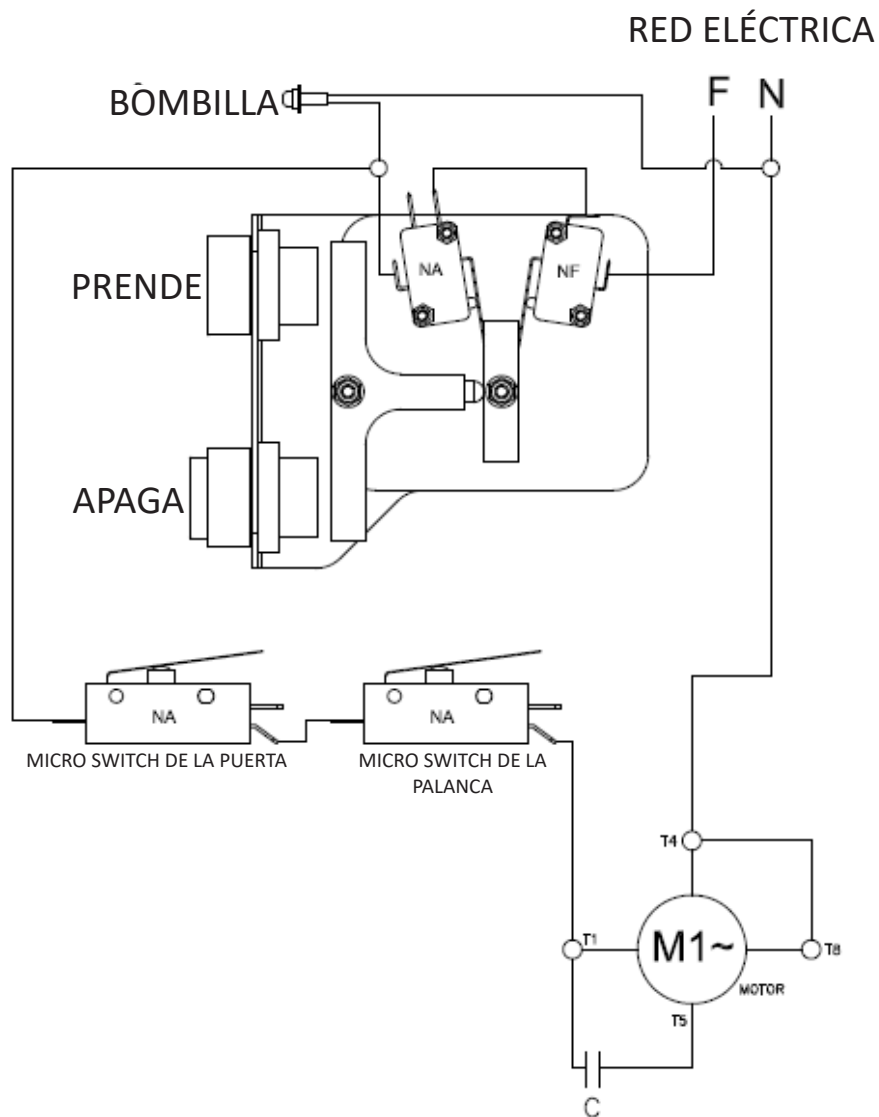
AMP-400 110V 60Hz





RED ELÉCTRICA





RED ELÉCTRICA

