

BAND SAW FOR BONE, BLADE 2.180 mm/SIERRA PARA HUESOS INOX-  
IDABLE, HOJA 2.180 mm

MODEL  
**SF-218**

INSTRUCION MANUAL  
MANUAL DE INSTRUCCIONES

# SUMMARY

<b>1. Introduction</b> .....	<b>3</b>
1.1 Safety .....	3
1.2 Main Components .....	5
1.3 Technical Characteristics .....	6
<b>2 – Installation and Pre Operation</b> .....	<b>7</b>
2.1 Installation .....	7
2.2 Pre Operation .....	7
<b>3 . Operation</b> .....	<b>8</b>
3.1 Starting.....	8
3.2 Operation Procedure .....	9
3.3 Cleaning and Sanitization .....	11
3.4 Cautions with Stainless Steel: .....	16
<b>4. General Safety Practices</b> .....	<b>17</b>
4.1 Basic Operation Procedures .....	17
4.2 Safety Procedures and Notes before Switching the Machine ON .....	18
4.3 Routine Inspection.....	18
4.4 Operation .....	19
4.5 After Finishing The Work.....	19
4.6 Maintenance .....	19
4.7 Warning.....	19
<b>5 . Analysis and Problem Solving.....</b>	<b>20</b>
5.1 Problems, Causes and Solutions .....	20
<b>6. Maintenance</b> .....	<b>22</b>
<b>7. Electric Diagram.....</b>	<b>23</b>

# 1. Introduction

## 1.1 Safety

When not properly used this equipment is a potentially dangerous machine. Maintenance, servicing, cleaning or any other operation shall be made by trained people. Plug has to be off outlet during any of these operations.

Below instructions shall be respected to avoid accidents :

1.1.1 Read completely these instructions

1.1.2 To avoid to risk electric shocks and damage to the equipment never use it with wet clothes or shoes and/or standing on wet floors. Do not plunge it into water nor any other liquid, do not spray water directly to the equipment.

1.1.3 When the equipment is in operation the operator shall supervise it, principally when children might be near

1.1.4 Unplug the equipment when :

It is not in use, before to clean it, before to remove or to place some accessory. before maintenance or any other service .

1,1,5 Do not operate the equipment if the cord or plug are damaged. Do not lean the cord on table edges , nor let them lie on hot surfaces.

1.1.6 When the equipment may have fall , have been damaged any way, or simply does not work, take it to Technical Assistance to check .

1.1.7 The use of accessories not recommended by the manufacturer may cause corporal injures.

1.1.8 Keep the hands or any other object away from moving parts while the equipment is in operation, to avoid injures or damage to the equipment. .

1.1.9 During operation never wear loose clothes with wide sleeves principally around the wrists .

1.1.10 Make sure the equipment voltage and the network voltage are the same, and the equipment has been solidly grounded .

1,1,11 Never adjust the Blade Guide nor the Thickness Guide with the machine running

1.1.12 Use steel gloves during the operation.

1.1.13 This equipment has been developed for commercial operation, it is used for instance in restaurants, fast foods, hospitals, bakeries, butchers and similar.  
It is not recommended to use it

- For continuous industrial production
- A working ambient having a corrosive or explosive atmosphere, or contaminated with water vapour, dust or gas.

**IMPORTANT**

**Make sure the cord is in perfect conditions for use. If it is not, change it for a new one in accordance with the technical specifications and safety rules .  
The substitution shall be made by a qualified professional , and shall respect the local safety norms .**

**IMPORTANT**

**This equipment must not be used by children or any persons with reduced physical or mental aptness, lack of experience or knowledge, unless they are under supervision or have received from the person responsible for safety, proper instructions on how to use the equipment.**

**IMPORTANT**

**Children shall be watched in order to avoid them to play with the equipment.**

**IMPORTANT**

**In case of emergency take off the plug from its socket.**

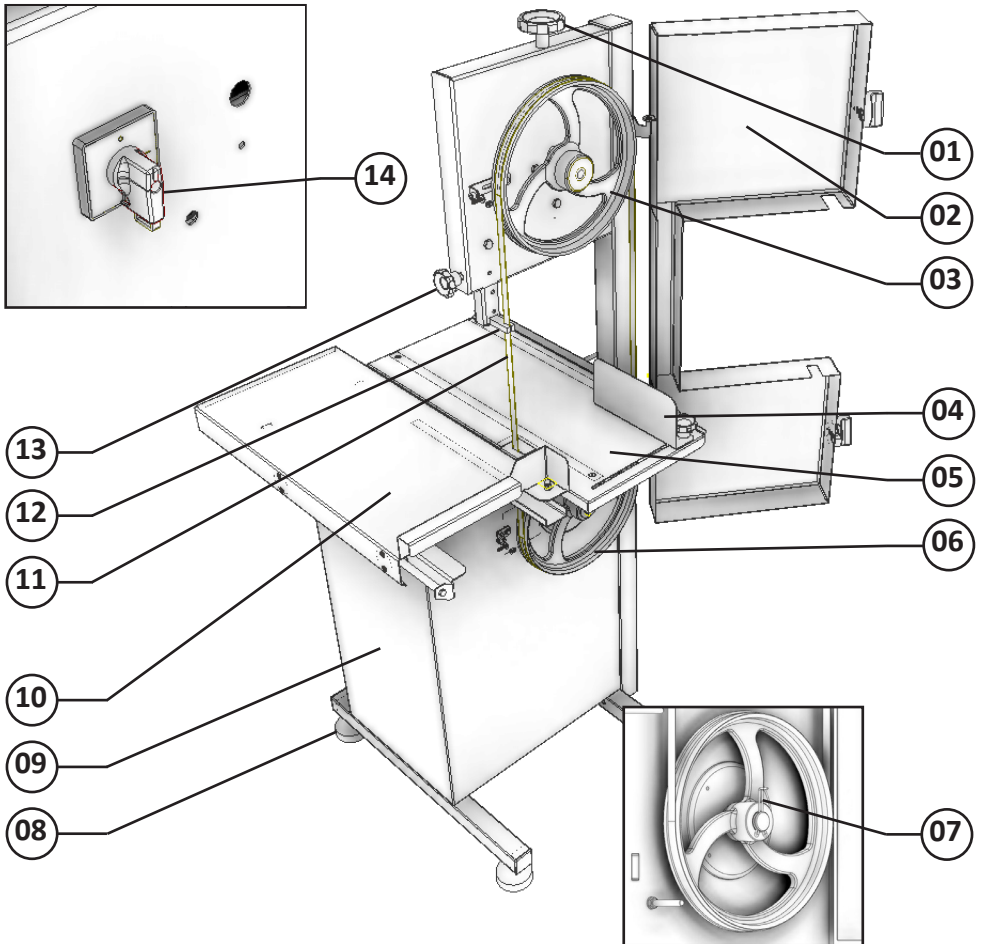
**IMPORTANT**

**Never spray water directly on to the equipment.**

## 1.2 Main Components

All components are manufactured with carefully chosen raw materials in accordance with Siemens experience and testing standards.

PICTURE 01



- 1 – Blade Tension Regulator Handle
- 2 – Door
- 3 - Upper Wheel
- 4 – Blade Guide
- 5 - Fixed Table
- 6 – Lower Wheel
- 7 - Staple

- 8 – Feet
- 9 – Motor Housing
- 10-Movable Table
- 11- Blade
- 12 – Thickness Guide
- 13- Handle
- 14- ON/OFF Switch

### 1.3 Technical Characteristics

**TABLE 01**

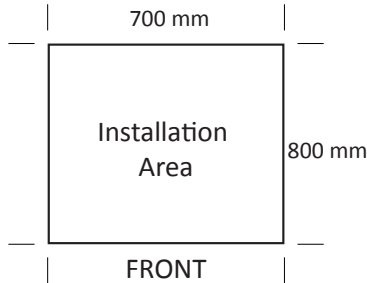
<b>CHARACTERISTICS</b>	<b>UNIDAD</b>	<b>SF-218</b>
Voltage	V	110 or 220
Frequency	Hz	50 or 60
Power Rating	CV	1,5
Height	mm	1600
Width	mm	700
Depth	mm	800
Net Weight	kg	73
Shipping Weight	kg	92
Maximum Cutting Height	mm	260
Maximum Cutting Width	mm	270

## 2 – Installation and Pre Operation

### 2.1 Installation

#### 2.1.1 Placing the equipment

The equipment must be installed over a firm and level working surface. See below drawing the recommended area



#### 2.1.2 Electric Installation

The equipment has been designed to operate 110 or 200 Volts. When you receive the equipment check the voltage indicated on the cord label

The power plug has 3 pins the middle pin is the ground . All the 3 pins must be properly connected.

### **IMPORTANT**

**Make sure the network voltage is the same as indicated on the Cord label**

### 2.2 Pre Operation

Before to use the equipment all the parts which could get into contact with the product to be processed shall be washed with water and neutral soap ( see item 3.3 Cleaning and Sanitizing ).

Make sure the equipment is firm on its working position.

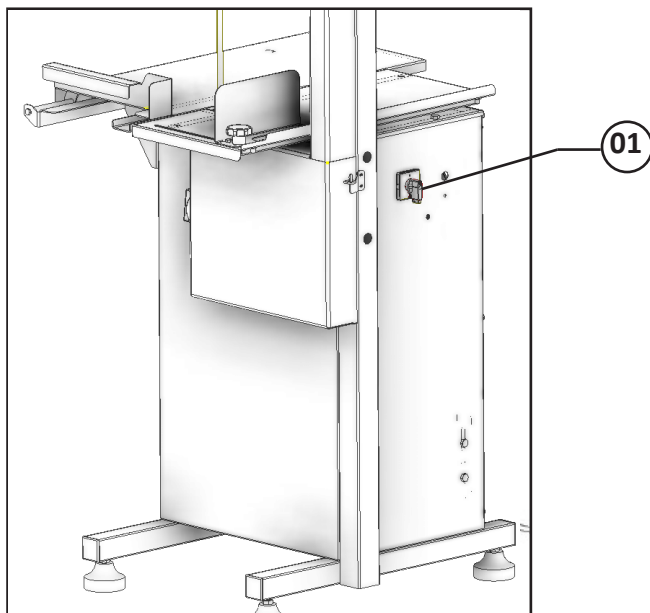
## 3 . Operation

### 3.1 Starting

To start the equipment follow the below instructions:

- 1 – Make sure all the protections and the door are in due place and the door is closed .
- 2 - Plug the equipment to the electric network,
- 3 – Turn the ON/OFF Switch # 01 ( Pic.02 ) on position “I” ON to start the equipment.

**PICTURE 02**





## **3.2 Operation Procedure**

3.2.1 Make sure the equipment is steady on its working place.

### **3.2.2 Door**

The Door # 02 (Pic. 01) shall be closed as long as the equipment is in use.

### **3.2.3 Thickness Guide**

To obtain several same thickness slices adjust the Thickness Guide # 12 (Pic.01) as desired. That for turn the thickness guide handle counter clockwise getting the guide free, then place the Thickness Guide at the desired thickness and tight the Thickness Guide Handle turning it clockwise.

### **3.2.4 Blade**

The Blade must be installed with the teeth turned towards the front side of the machine and with the points downwards.

To regulate (stretch) the Blade # 11 (Pic.01) turn clockwise the Blade Tension Regulator Handle # 01 (Pic.01) until it stops.

### **3.2.5 Blade Guide**

With the equipment switched OFF, turn the handle # 13 (Pic. 01) counter clockwise to get free the Blade Guide # 04 (Pic.01). Then adjust the Blade Guide to have it no more than the height of the product to be cut and tight the Handle # 13 (Pic.01).

### **3.2.6 Lower Wheel**

The Lower Wheel # 06 (Pic. 01) is assembled on the lower bearing shaft , and fixed by means of the Staple # 09 (Pic. 01), the staple shall always be placed in the shaft slot. The Lower Wheel may be removed to clean after the Blade has been removed ( see 3.3 Cleaning and Sanitizing)

### **3.2.7 Upper Wheel**

The Upper Wheel # 04 (Pic. 01) has in its frame the shaft and the bearing.

The Upper Wheel may be removed to clean after the Blade has been removed ( see 3.3 Cleaning and Sanitizing )

## **Before to start the machine**

Push the Movable Table # 10 (Pic. 01) totally to the front side of the machine.

Place the product to be cut on the Movable Table.

Choice the slices thickness and adjust the Thickness Guide # 12 (Pic.01).

Adjust the Blade Guide # 04 (Pic, 01) to no more than the height of the product to be cut.

Stay in front of the machine to have a front sight of the Blade.

## **Start the Machine**

To start the machine turn the ON/OFF Switch button “I” (ON).

Catch the Movable Table with the left hand and push against the Blade cutting the product at constant speed.

After finishing the whole slice remove it with the right hand. The slice shall ALWAYS be removed behind the Blade to avoid the hand to contact the Blade

Place the slices upon the Fixed Table # 05 (Pic. 01).

Bring back the Movable Table to the front side of the machine and repeat the above steps until to have finished to cut all the product.

After the end of the last slice turn the ON/OFF Switch to the position “O” (OFF) .# 14 (Pic 01)

### **IMPORTANT**

**Never remove the slices by the Blade front side.**

### 3.3 Cleaning and Sanitization

**IMPORTANT**  
**Unplug the equipment before to clean**

When the equipment must go through a complete cleaning and sanitization process:

- Before to be used first time.
- After every day end of operations
- When the saw is not going to be used for a long period.
- Before to start operation after a long period it has not been used.

Some components may be removed to clean :

- Door
- Fixed Table Block
- Blade
- Upper Wheel
- Lower Wheel
- Blade Tension Regulator Handle
- Blade Tension Regulator

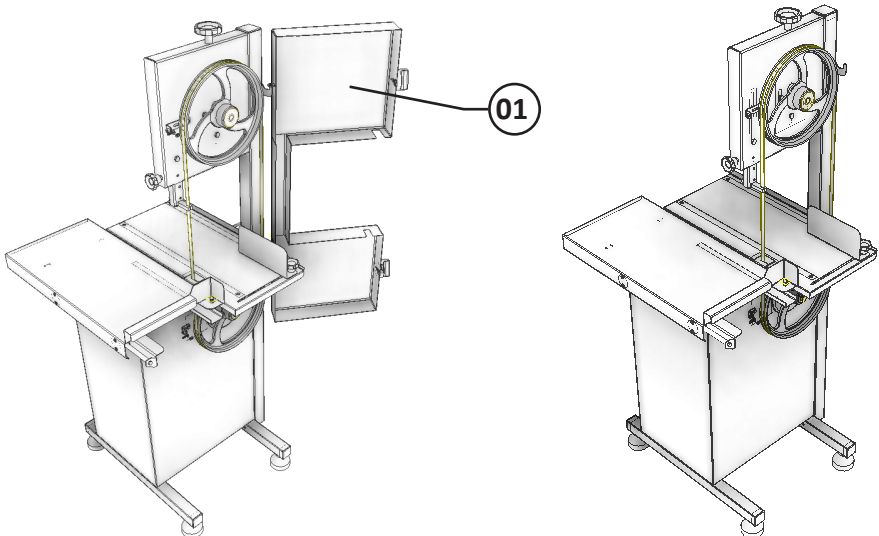
Follow below instructions to remove the above mentioned components :

- Door

Turn the two Door handle counterclockwise until they get free from their screws.

Open the Door # 01 (Pic. 03) grab it strongly and lift the Door.

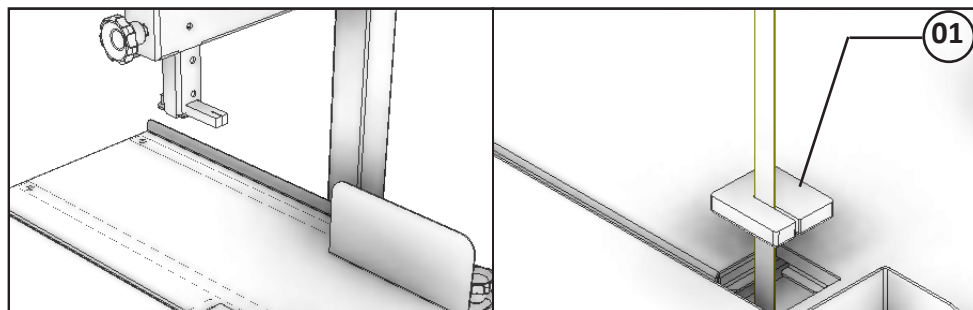
**PICTURE 03**



- Fixed Table Block

Remove the Fixed Table Block # -1 (Pic. 04) just lifting it , see picture 04.

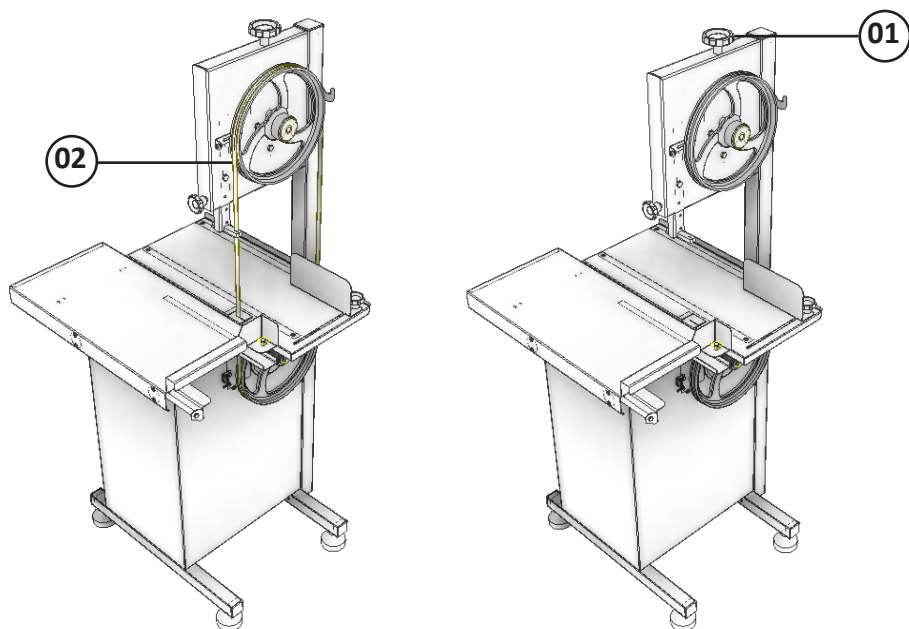
**PICTURE 04**



- Blade

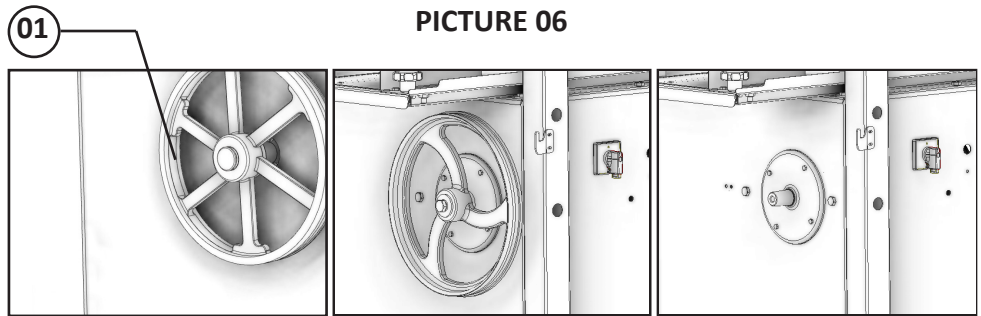
Turn the Blade Tension Regulator Handle # 01 (Pic 05) counter clockwise to get the Blade # 02 (Pic. 05) free to be removed.

**PICTURE 05**



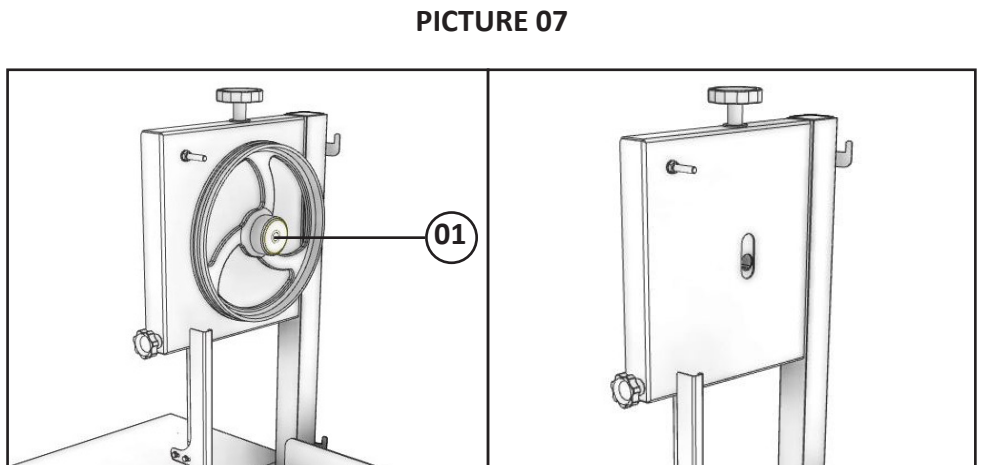
- Lower Wheel

Remove the Staple # 01 (Pic. 06) grab strongly the Lower Wheel and pull it to the front side of the equipment , see picture 06.



- Upper Wheel

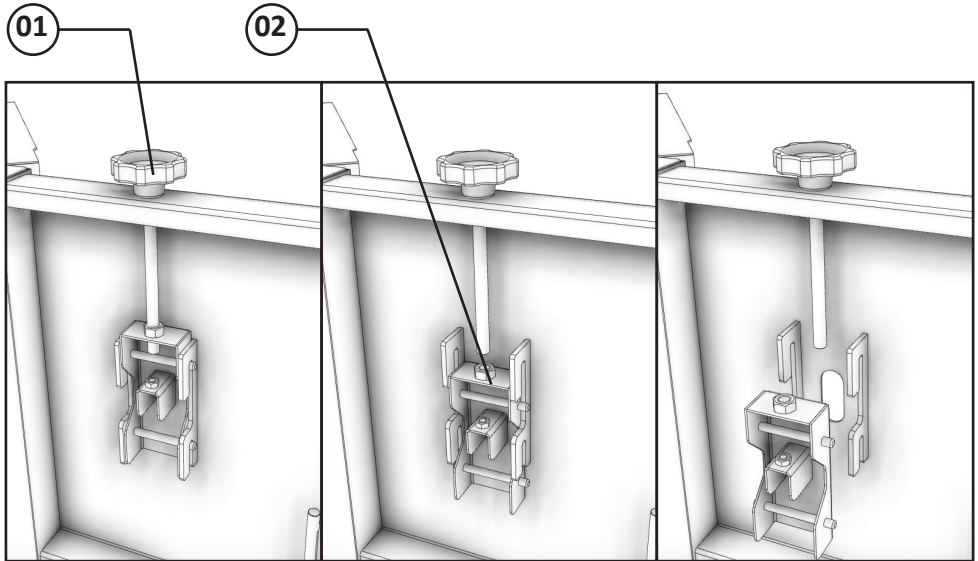
First remove the Blade and grab strongly the Upper Wheel # 01 (Pic. 07) then lift it and pull it to the front side of the machine, see picture 07



- Blade Tension Refulator

Turn the Blade Tension Regulator Handle # 01 (Pic.08) counter clockwise until the Stretcher # 02 (Pic. 08) is completely removed.

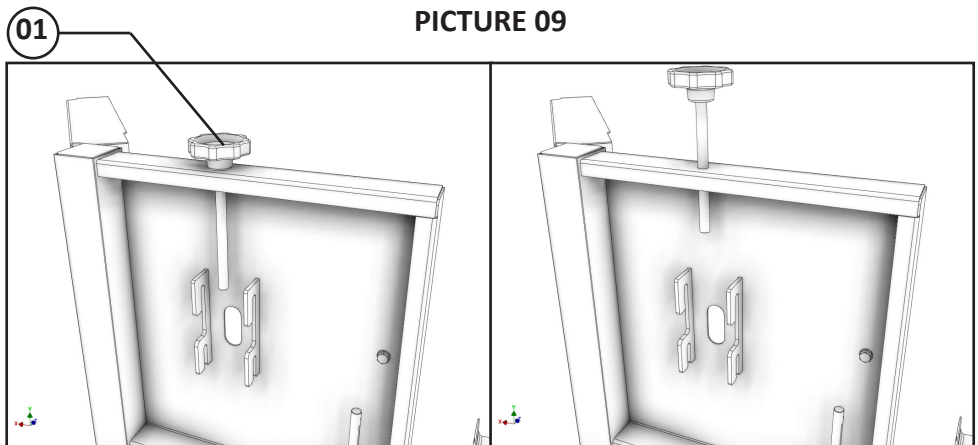
**PICTURE 08**



-Blade Tension Regulator Handle

Remove the Blade tension Regulator Handle # 01 (Pic. 09) lifting it;

**PICTURE 09**



Wash all the components with water and neutral soap.

**IMPORTANT**  
**Do not spray water directly on the equipment**

Use a clean cloth or a soft brush to remove residues.

Wash, sanitize, rinse and dry all the components.

Assemble back all the components following the inverse path, and make sure all the components are correctly in place.

### 3.4 Cautions with Stainless Steel:

The Stainless Steel may present rust signs, which ARE ALWAYS CAUSED BY EXTERNAL AGENTS, especially when the cleaning or sanitization is not constant and appropriate.

The Stainless Steel resistance towards corrosion is mainly due to the presence of chrome, which in contact with oxygen allows the formation of a very thin protective coat. This protective coat is formed through the whole surface of the steel, blocking the action of external corrosive agents.

When the protective coat is broken, the corrosion process begins, being possible to avoid it by means of constant and adequate cleaning.

Cleaning must always be done immediately after using the equipment. For such end, use water, neutral soap or detergent, and clean the equipment with a soft cloth or a nylon sponge. Then rinse it with plain running water, and dry immediately with a soft cloth, this way avoiding humidity on surfaces and especially on gaps.

The rinsing and drying processes are extremely important to prevent stains and corrosion from arising.

#### **IMPORTANT**

**Acid solutions, salty solutions, disinfectants and some sterilizing solutions (hypochlorites, tetravalent ammonia salts, iodine compounds, nitric acid and others), must be AVOIDED, once it cannot remain for long in contact with the stainless steel:**

These substances attack the stainless steel due to the CHLORINE on its composition, causing corrosion spots (pitting).

Even detergents used in domestic cleaning must not remain in contact with the stainless steel longer than the necessary, being mandatory to remove it with plain water and then dry the surface completely.

Use of abrasives:

Sponges or steel wool and carbon steel brushes, besides scratching the surface and compromising the stainless steel protection, leave particles that rust and react contaminating the stainless steel. That is why such products must not be used for cleaning and sanitization. Scrapings made with sharp instruments or similar must also be avoided.

Main substances that cause stainless steel corrosion:

Dust, grease, acid solutions such as vinegar, fruit juices, etc., saltern solutions (brine), blood, detergents (except for the neutral ones), common steel particles, residue of sponges or common steel wool, and also other abrasives.



## 4. GENERAL SAFETY PRACTICES

### **IMPORTANT**

**If any recommendation is not applicable to your equipment , please ignore it .**

The following safety instructions are addressed to both the operator of the machine as well as the person in charge of maintenance.

The machine has to be delivered only in perfect conditions of use by the Distributor to the user. The user shall operate the machine only after being well acquainted with the safety procedures described in the present manual. **READ THIS MANUAL WITH ATTENTION.**

### **IMPORTANT**

**Any change in the protection systems and safety devices will during operation, create serious risks to the operator physical integrity**

### 4.1 Basic Operation Procedures

#### 4.1.1 Dangers

Some areas of the electric device have parts that are connected or have parts connected to high voltage. These parts when touched may cause severe electrical shocks or even be lethal.

Never touch manual commands such as switches, buttons, turning keys and knobs with your hands wearing wet clothes and/or wet shoes. By not following these instructions operator could be exposed to severe electrical shocks or even to a lethal situation.

#### 4.1.2 Warnings

- \* The operator has to be well familiar with the position of ON/OFF Switch to make sure the Switch is easy to be reached when necessary.
- \* Before any kind of maintenance, physically remove plug from the socket.
- \* Provide space for a comfortable operation thus avoiding accidents.
- \* Water or oil spilled on the floor will turn it slippery and dangerous. Make sure the floor is clean and dry.
- \* Before using any commands (switch, buttons, lever), be sure it is the correct one. In case of doubt, consult this manual.
- \* Never touch any manual commands (switch, buttons, lever) unadvisedly.
- \* If any work is to be made by two or more persons, coordination signs will have to be

given for each operation step. Every step of the operation shall be taken only if a sign has been made and responded.

#### 4.1.3 Advices

- \* In case of power shortage, immediately switch the machine off.\* Use recommended or equivalent lubricants, oils or greases.
- \* Avoid mechanical shocks, once they may cause damages or bad functioning.
- \* Avoid water, dirt or dust contact to the mechanical and electrical components of the machine.
- \* DO NOT change the standard characteristics of the machine.
- \* DO NOT remove, tear off or maculate any safety or identification labels stuck on the machine. If any labels have been removed or are no longer legible, contact your nearest dealer for replacement.

### 4.2 Safety Procedures and Notes before Switching the Machine ON

#### **IMPORTANT**

**Carefully read ALL INSTRUCTIONS of this manual before turning the machine ON.  
Be sure to well understand all the information contained in this manual. If you  
have any question contact your supervisor or your nearest Dealer.**

#### 4.2.1 Danger

An electric cable or electric wire with damaged jacket or bad insulation might cause electrical shocks as well as electrical leak. Before use, check the conditions of all wires and cables.

#### 4.2.2 Advices

Be sure to well understand all the information contained in this manual. Every operation function or procedure has to be thoroughly clear.

Before using any commands (switch, buttons, lever), be sure it is the correct one. In case of doubt, consult this manual.

#### 4.2.3 Precautions

The electric cable has to be compatible with the power required by the machine.

Cables touching the floor or close to the machine need to be protected against short circuits.

### 4.3 Routine Inspection

#### 4.3.1 Advice

When checking the tension of the belts or chains, DO NOT insert your fingers between the belts and the pulleys and nor between the chain and the gears.

### 4.3.2 Precautions

Check the motor and sliding or turning parts of the machine in case of abnormal noises. Check the tension of the belts and chains and replace the set when belts or chains show signs of wearing.

When checking the tension of belts or chains DO NOT insert your fingers between belts and pulleys, nor between the chains and gears.

Check protections and safety devices to make sure they are working properly.

## 4.4 Operation

### 4.4.1 Warnings

Do not use the machine with long hair that could touch any part of the machine. This might lead to a serious accident. Tie your hair up well and/or cover it with a scarf.

Only trained or skilled personnel shall operate this machine.

Never touch turning parts with your hands or any other way ,

NEVER operate the machine without any original safety devices under perfect conditions.

## 4.5 After Finishing The Work

### 4.5.1 Precautions

Always TURN THE MACHINE OFF before cleaning by removing the plug from the socket.

Never clean the machine unless it has come to a complete stop.

Put all the components back to their functional positions before turning the machine ON again.

Check the level of liquids.

Do NOT insert your fingers in between belts and pulleys nor chains and gears.

## 4.6 Maintenance

### 4.6.1 Danger

Any maintenance with the machine in working situation is dangerous. TURN IT OFF BY PULLING THE PLUG OFF THE SOCKET DURING MAINTENANCE.

### **IMPORTANT**

**Always remove the plug from the socket in any emergency situation.**

## 4.7 Warning

Electrical or mechanical maintenance has to be undertaken by qualified personnel.

The person in charge of maintenance has to be sure that the machine is under TOTAL SAFETY conditions when working.

## **5 . Analysis and Problem Solving**

### **5.1 Problems, Causes and Solutions**

The equipments have been designed to need minimum maintenance, however, some performance failures may happen due mainly to natural worn out, caused by the use of the equipment.

If some problems arise with your equipment check Table - 02 below where there are detailed some possible solutions.

**TABLE 02**

<b>PROBLEMS</b>	<b>CAUSES</b>	<b>SOLUTIONS</b>
The equipment does not switch on.	Lack of power. Problem with the internal or external electric circuits .	Check if there is electric power. Call Technical Assistance.
Smoke or burn smell.	Problem with the internal or external electric circuits	Call Technical Assistance.
Machine switch on but when product touches the blade it stops or runs slowly.	Belt slipping on pulleys. Damaged motor.	Check the Blade tension Call Technical Assistance
Unusual noises.	Damaged bearing Belt slipping on wheels Wrong blade weld	Call Technical Assistance Call technical Assistance Change the blade
Damaged Cord	Problem during transportation.	Call Technical Assistance.
Blade break frequently	Dirty blade or wheel Wheel damaged	Clean, see item 3.3 Call Technical Assistance
Difficulties to cut the product	Dirty blade or wheels Blade with wrong tension Blade is not on wheels center Blunt blade	Clean, see item 3.3 Adjust the blade tension, see item 3.2.5 Call Technical Assistance Change the blade

## 6. Maintenance

Maintenance must be considered a set of procedures with the purpose to keep the equipment best operating conditions , therefore increasing the equipment life and safety.

Cleaning – check item 3,3 Cleaning

Wiring - Check all wires regarding deteriorate conditions as well as all electric contacts (terminals) regarding tightening and corrosion .

Contacts – ON/OFF switch, emergency button, reset button , electronic circuits etc , check the equipment in order to assure that all components are correctly working and the equipment operation is normal .

Installation – make sure the installation followed item 2.1 instructions

Life span : 2 years considering a normal working hours journey

### **1 – Each month check :**

- Check the electrical installation
- Measure the voltage at the socket
- Measure the working current and match it with the nominal current
- Check the tightening of all electric terminals to avoid bad contacts
- Check electric motor shaft clearance
- Check the wiring for overeating , insulation failures and mechanical damages .

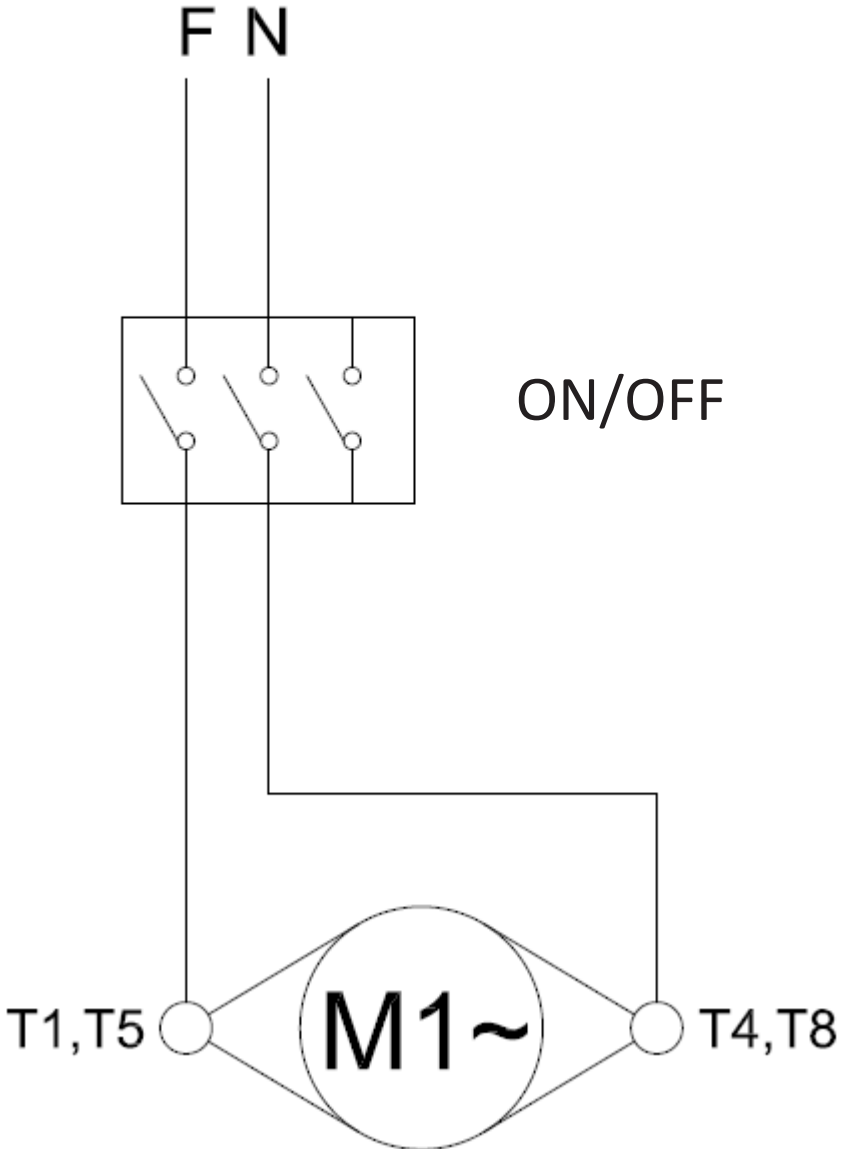
### **2 Each three month checks**

- Check electrical components such as ON/OFF switch, emergency button , reset button, electronic electric circuits , overeating, insulation failings, or mechanical damages
- Check bearings clearances
- Check retainers, O’rings, V’rings and other seals

7. Electric Diagram

# ELECTRIC NETWORK

## 220V / 50Hz









# SUMARIO

<b>1. INTRODUCCIÓN .....</b>	<b>3</b>
1.1 Seguridad .....	3
<b>1.2 PRINCIPALES COMPONENTES.....</b>	<b>5</b>
1.3 Características Tecnicas.....	6
<b>2. Instalación y Pre Operación .....</b>	<b>7</b>
2.1 Instalación .....	7
2.2 Pre Operación.....	7
<b>3. Operación.....</b>	<b>8</b>
3.1 Accionamiento.....	8
3.2 Procedimiento para la Operación .....	9
3.3 Limpieza y Higienización .....	11
3.4 Cuidados con los aceros inoxidables .....	16
<b>4. Nociones Generales de Seguridad .....</b>	<b>17</b>
4.1 Practicas básicas para la Operación.....	17
4.2 Cuidados y Observaciones Antes de Prender la Maquina .....	18
4.3 Inspección de Rutina.....	18
4.4 Operación.....	19
4.5 Después de Terminar el Trabajo .....	19
4.6 Mantenimiento.....	19
4.7 Aviso .....	19
<b>5. Analisis y Resolución de Problemas .....</b>	<b>20</b>
5.1 Problemas, Causas y Soluciones .....	20
<b>6. Mantenimiento.....</b>	<b>22</b>
<b>7. Diagrama Electrico.....</b>	<b>23</b>

# 1. INTRODUCCIÓN

## 1.1 Seguridad

Este equipo es potencialmente peligroso cuando usado incorrectamente. Es necesario realizar el mantenimiento, limpieza, y/o cualquier servicio por una persona calificada y con el equipo desconectado de la red eléctrica.

Las instrucciones abajo deberán ser seguidas para evitar accidentes:

1,1,1 Lea todas las instrucciones.

1.1.2 Para evitar el riesgo de choques eléctricos y daños al equipo nunca lo use con ropas ó pies mojados y/o en superficies húmedas ó mojadas, no lo haga sumergir en agua ó otro liquido cualquier y no use chorros de agua directamente sobre el equipo.

1.1.3 El uso de cualquier equipo debe siempre ser supervisado, principalmente si hubiera niños cerca .

1.1.4 Desconecte el equipo de la red eléctrica cuando no esté en uso, antes de limpiarlo, remover accesorios, mantenimiento y cualquier otro servicio.

1.1.5 No use el equipo caso tenga el cable ó la flecha damnificado. Certifíquese que el cable de alimentación eléctrica no se quede sobre el borde de una mesa o bancada, ni que toque superficies calientes.

1.1.6 Cuando el equipo se haya caído , esté damnificado de cualquier manera ó no funcione llévelo para un Servicio Técnico autorizado.

1.1.7 El uso de accesorios no recomendados por el fabricante puede ocasionar lesiones corporales.

1.1.8 Mantenga ls manos ó cualquier utensilio lejos de las partes en movimiento, mientras en operación, para evitar lesiones corporales ó daños al equipo.

1.1.9 Nunca use ropas con mangas anchas principalmente en los puños , durante la operación.

1.1.10 Certifíquese que el voltaje de la red eléctrica y del equipo sean el mismo, y que el equipo esté debidamente conectado a la tierra.

1.1.11 Nunca regule la Guia de la Hoja, ni el Regulador de Corte con la maquina en movimiento.

1.1.12 Use guantes de acero durante la operación de corte.

1.1.13 Este equipo fue desarrollado para uso en cocinas comerciales, por ejemplo restaurantes, cafeterías, hospitales, panaderías, carnicerías ó similares.

El uso de este equipo no se recomienda cuando:

- El procedimiento de producción sea continuado en escala industrial.
- El local de trabajo tenga un ambiente con atmósfera corrosiva, explosiva, contaminada con vapor de agua ó gas.

**IMPORTANTE**

**Certifíquese que el cable de alimentación esté en perfectas condiciones de uso. Si no estuviera, sustituya el cable dañado por otro que respete las especificaciones técnicas y de seguridad .**

**Esta sustitución deberá ser hecha por un profesional calificado y deberá respetar las normas locales de seguridad .**

**IMPORTANTE**

**Este equipo no es para ser utilizado por personas (inclusive niños) con capacidades físicas o mentales reducidas, o con falta de experiencia o conocimiento, a no ser que tengan recibido supervisión o instrucción referente al uso de este equipo por una persona responsable por la seguridad del mismo.**

**IMPORTANTE**

**Recomendase que los niños sean vigilados para que no se les permita jugar con el equipo.**

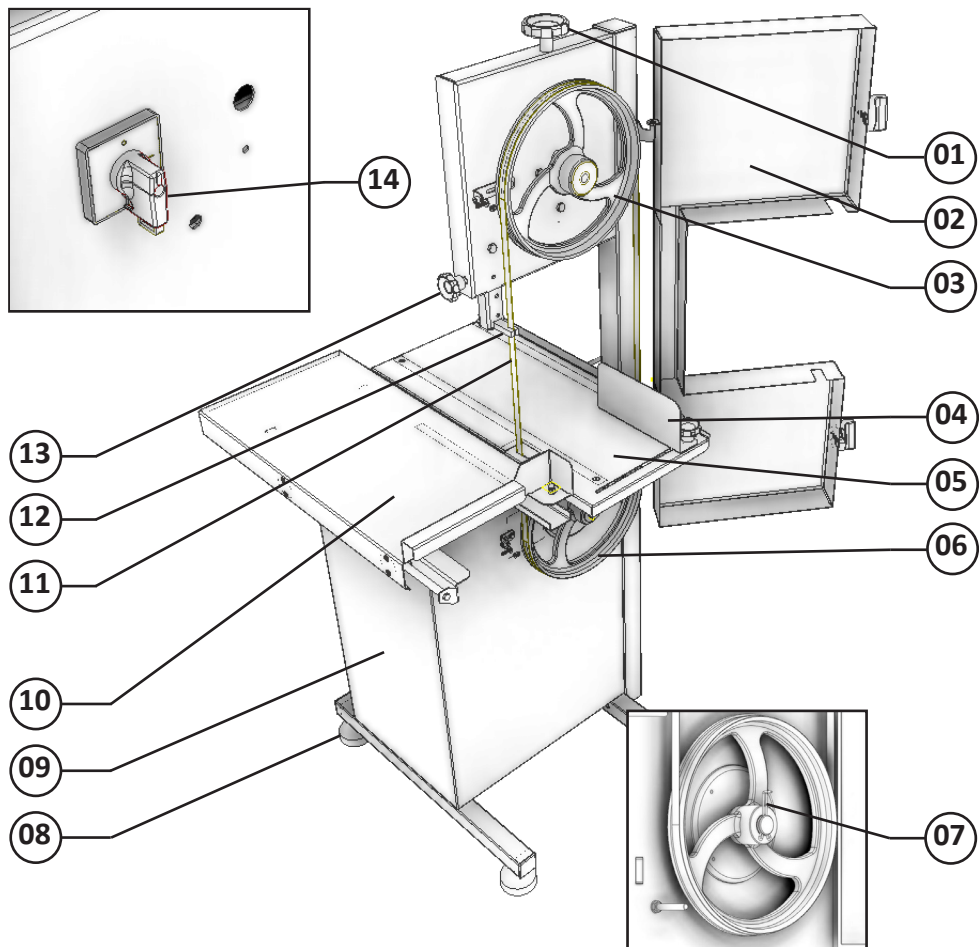
**IMPORTANTE**

**Nunca use chorros de agua directamente sobre el equipo.**

## 1.2 PRINCIPALES COMPONENTES

Todos los componentes que incorporan la maquina son construidos con materiales cuidadosamente seleccionados para su función, dentro de los padrones de prueba y de la experiencia de SIEMSEN.

FIGURA 01



01 - Manija del Calibrador de la Hoja

02 - Puerta

03 - Volante Superior

04 - Guía de la Hoja

05 - Mesa Fija

06 - Volante Inferior

07 - Presilla

08 - Pies

09 - Gabinete

10 - Mesa Movable

11 - Hoja

12 - Regulador de Corte

13 - Manija

14 - Llave Prende/Apaga

### 1.3 Características Técnicas

**TABLA 01**

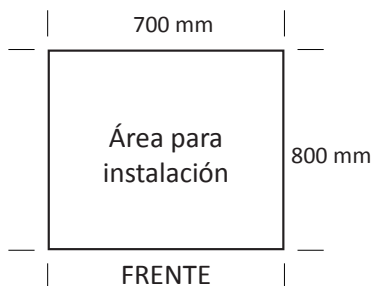
<b>CARACTERISTICAS</b>	<b>UNIDAD</b>	<b>SF-218</b>
Voltaje	V	110 or 220
Frecuencia	Hz	50 or 60
Potencia	CV	1,5
Altura	mm	1600
Ancho	mm	700
Profundidad	mm	800
Peso Neto	kg	73
Peso Bruto	kg	92
Ancho Max. de Corte	mm	260
Altura Max. de Corte	mm	270

## 2. Instalación y Pre Operación

### 2.1 Instalación

#### 2.1.1 Posicionamiento

El equipo debe ser posicionado sobre una superficie firme y nivelada. Vea en el dibujo abajo el área necesaria para su instalación.



#### 2.1.2 Instalación Eléctrica

Este equipo fue diseñado para 110 or 220 V . Al recibir la maquina verifique el voltaje indicado en la etiqueta existente en el cable de alimentación eléctrica.

El enchufe del cable de alimentación eléctrica posee tres pernos el perno central es la tierra. Los tres pernos deben estar conectados antes de prender la maquina.

#### **IMPORTANTE**

**Certifíquese que el voltaje del equipo es el mismo del voltaje de la red eléctrica.**

### 2.2 Pre Operación

Antes de usar el equipo se debe lavar todas las partes que entren en contacto con el producto a ser procesado con agua y jabón neutro (vea ítem 3.3 Limpieza)

Verifíquese si el equipo está firme en su posición de trabajo.

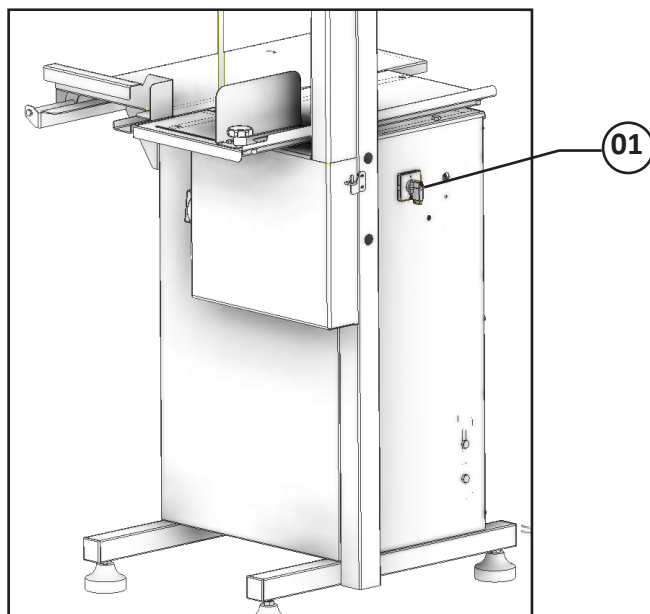
### 3. Operación

#### 3.1 Accionamiento

Para prender el equipo siga las instrucciones abajo :

- 1-. Verifique si TODAS las protecciones están debidamente posicionadas y la puerta cerradas
- 2- Conecte el equipo a la red eléctrica ;
- 3 - Gire la llave Prende/Apaga No. 01 (Fig 02) para la posición "I" y la maquina se prende.

**FIGURA 02**





## 3.2 Procedimiento para la Operación

3.2.1 Verifique si el equipo está firme en su local de trabajo.

### 3.2.2 Puerta

La puerta No.02 (Fig.01) debe estar debidamente cerrada durante la operación

### 3.2.3 Regulador de corte

Para realizar varios cortes de la misma espesura , ajuste el Regulador de Corte No.12 (Fig.01) como deseado. Para hacer eso gire la Manija del Regulador de Corte en el sentido ante horario liberándolo. Después lleve el Regulador de Corte hasta la espesura deseada y apriete firmemente la Manija del regulador girándola en el sentido horario.

### 3.2.4 Hoja

La hoja No.11 (Fig 01) debe ser instalada con los dientes vueltos para la frente de la maquina y con las puntas para bajo.

Para calibrar (estirar) la Hoja gire la Manija del Calibrador de la Hoja No.01 (Fig.01) en el sentido HORARIO hasta que pare..

### 3.2.5 Guía de la Hoja

Con el equipo apagado gire la Manija No.13 (Fig. 01) en el sentido ante horario para libertar la Guía de la Hoja No.04 (Fig. 01) . ajuste la altura de la Guía de la Hoja para la altura, no mas, de la pieza a ser cortada, después apriete la Manija No.13 (Fig.01)

### 3.2.6 Volante Inferior

El Volante Inferior No. 06 (Fig.01) está montado sobre el eje del cojinete inferior y preso por la presilla No 07 (Fig .01) que deberá estar siempre posicionada en el encaje del eje. El Volante Inferior puede ser retirado para la limpieza después de remover la hoja ( vea ítem 3.3 Limpieza y Higienización)

### 3.2.7 Volante Superior

El Volante Superior No 03 (Fig.01) incorpora en su estructura el eje y los rodamientos. El Volante Superior puede ser retirado después de remover la Hoja. ( vea ítem 3.3 Limpieza y higienización )

### **Antes de prender la maquina :**

Tire la Mesa Movable No. 10 (Fig.01) totalmente para la frente de la maquina

Coloque el producto a ser cortado sobre la Mesa Movable.

Elija la espesura de la tajada a ser cortada y ajuste el Regulador de Corte No. 12 (Fig. 01).

Ajuste la Guía de la Hoja No 04 (Fig.01) para que su altura sea la altura de la pieza a ser cortada, no mas.

Colóquese en frente a la maquina para poder mirar de frente la Hoja

### **Prenda la Maquina**

Para prender la maquina Gire la llave Prende/Apaga para la posición "I"

Agarre la Mesa Movable No. 10 (Fig.01) con la mano izquierda y empuje la mesa en dirección a la ,Hoja .cortando el producto en velocidad constante.

Después de cortar la tajada retírela con la mano derecha.

La tajada deberá ser removida SIEMPRE por atrás de la Hoja para evitar el contacto de la mano con la Hoja.

Coloque las tajadas sobre la Mesa Fija No. 05 (Fig.01)

Vuelva la Mesa Movable para la frente de la maquina y repita los pasos anteriores hasta cortar todo el producto;

Al terminar la ultima tajada apague la maquina presionando la Llave Prende/Apagano. No. 14 (Fig. 01) en la posición "O"

#### **IMPORTANTE**

**Nunca retire las tajadas por la frente de la maquina.**

### 3.3 Limpieza y Higienización

#### IMPORTANTE

**Retire la flecha de la toma eléctrica antes de iniciar la limpieza.**

El equipo debe ser totalmente limpio y higienizado, cuando :

- Antes de usar por la primera vez
- Después de la operación en cada día.
- Siempre que no sea usado por un largo periodo de tiempo
- Antes de poner el equipo en operación después de un largo periodo sin uso.

Algunas partes del equipo pueden ser removidas para la limpieza :

- Puerta
- Taco de la Mesa Fija
- Hoja
- Volante Superior
- Volante Inferior
- Manija del calibrador de la Hoja
- Calibrador de la Hoja

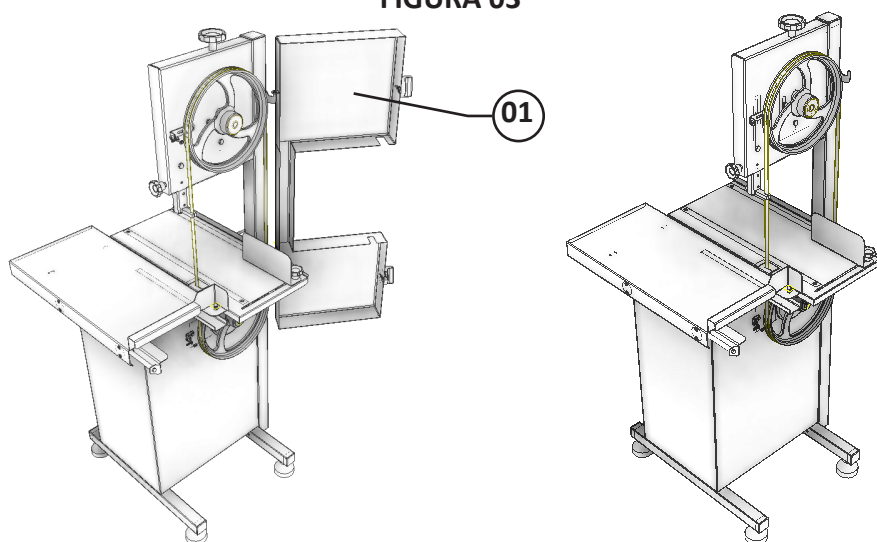
Para remover las partes arriba proceda como abajo :

- Puerta

Gire las dos manijas de la puerta en el sentido ante horario hasta que se suelten del tornillo de fijación.

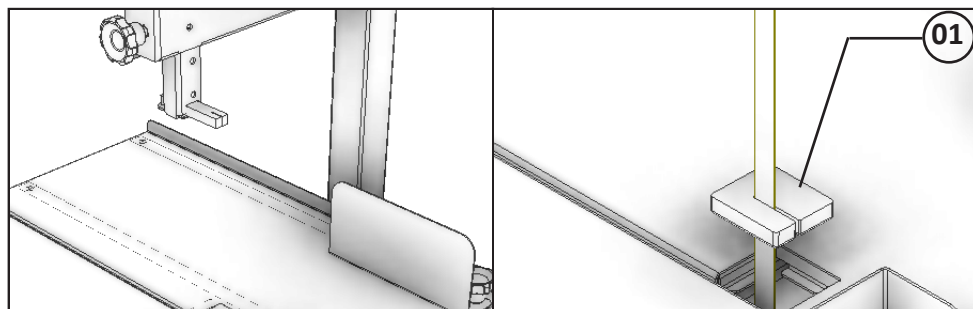
Abra la Puerta No 01 (Fig.03) agárrela firmemente y levántela.

**FIGURA 03**



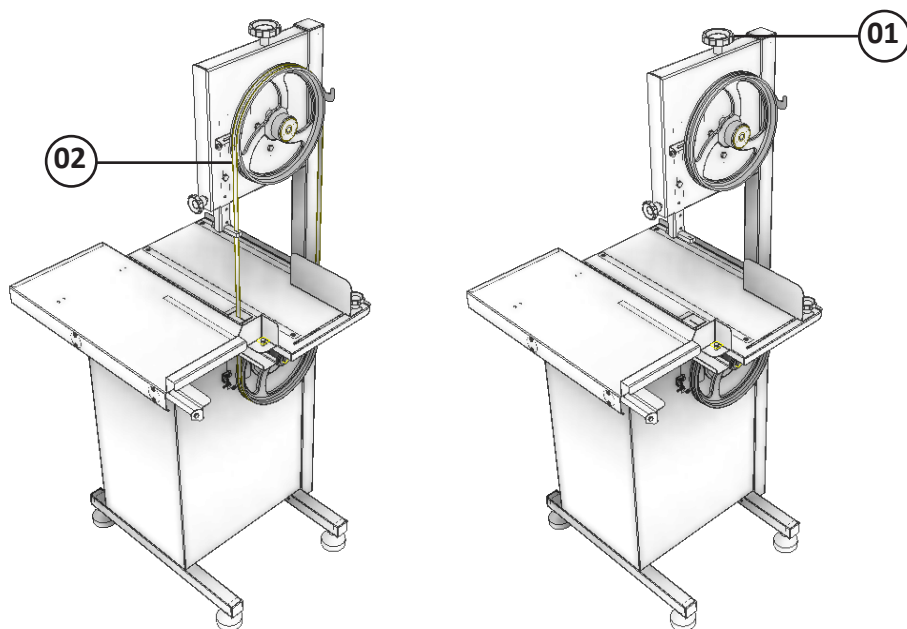
- Taco  
Retire el Taco de la mesa Fija No 01 (Fig,04) levantándolo.

**FIGURA 04**



- Hoja  
Gire la Manija del Calibrador de la Hoja No. 01 (Fig. 05) en el sentido ante horario hasta que la Hoja No. 02 (Fig.05) se suelte y esté libre para que sea removida;

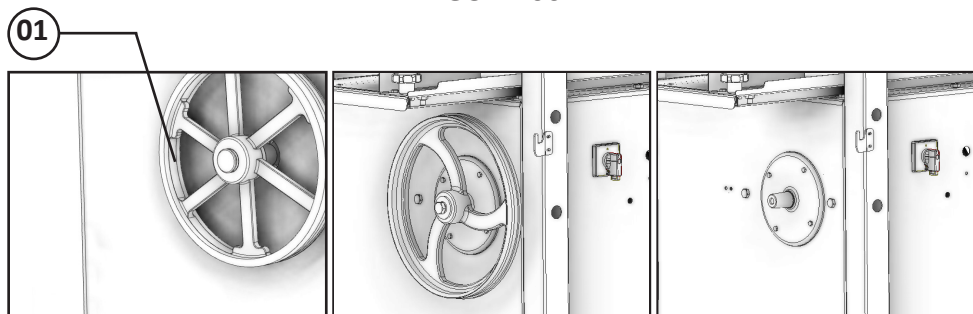
**FIGURA 05**



- Volante Inferior

Retire la Presilla No. 01 (Fig.06) , agarre firmemente el Volante Inferior y tírelo para la frente de la maquina ,hasta su completa retirada vea la Figura 06.

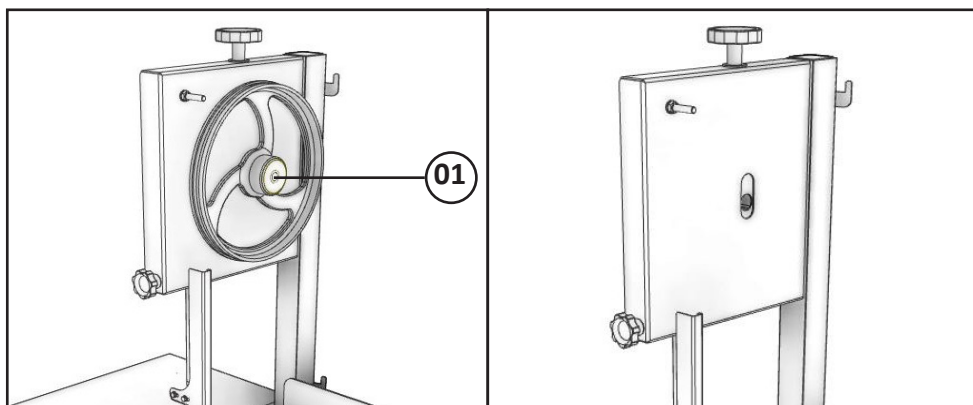
**FIGURA 06**



- Volante Superior

Después de haber retirado la Hoja agarre firmemente el Volante Superior No. 01 (Fig .07) empújelo para arriba y en seguida tírelo para la frente de la maquina., vea figura 07.

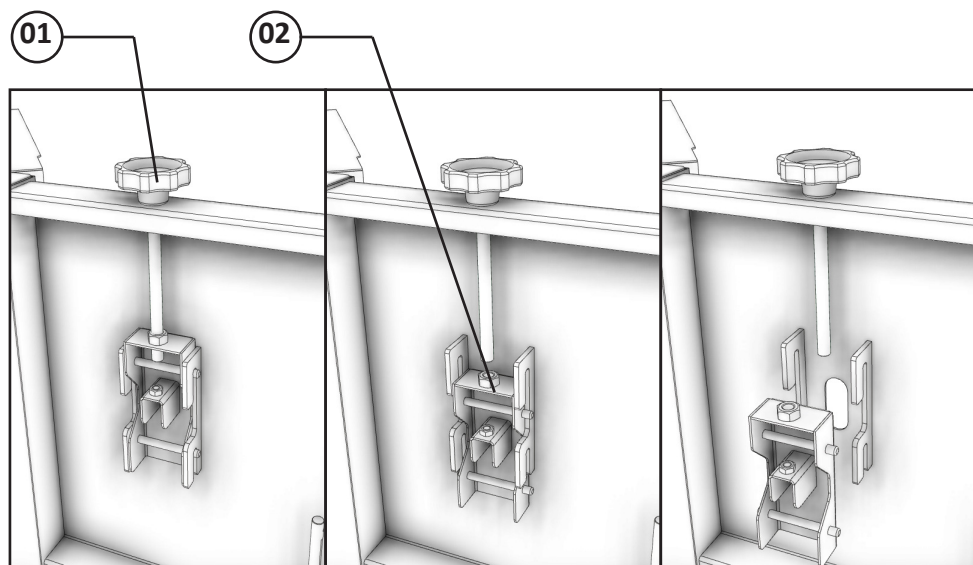
**FIGURA 07**



- Calibrador de la Hoja

Gire la Manija del Calibrador de la Hoja No. 01 (Fig. 08) en el sentido ante horario hasta la completa remoción del estirador No. 02 (Fig 08).

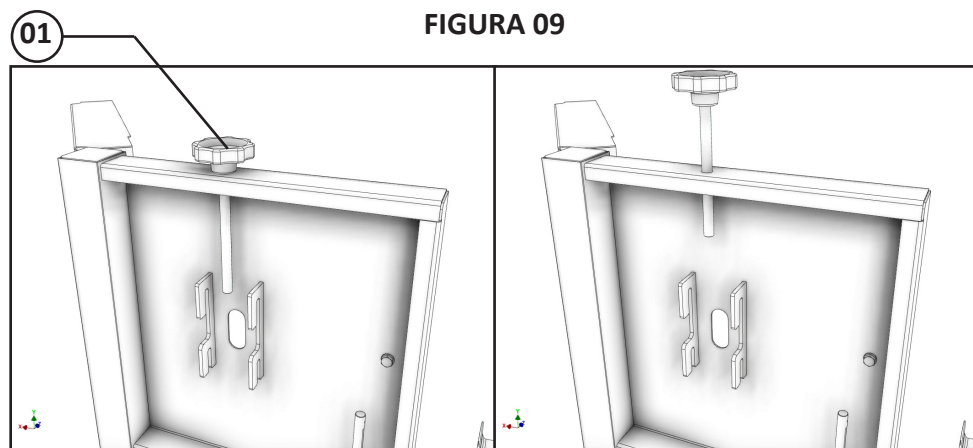
**FIGURA 08**



- Manija del Calibrador de la Hoja

Retire la Manija del Calibrador de la Hoja No. 01 (Fig. 09) levantándola.

**FIGURA 09**



Lave todas las partes con agua y jabón neutro.

### **IMPORTANTE**

**No use chorros de agua directamente sobre la maquina.**

Use un paño limpio ó un cepillo blando para remover residuos impregnados.

Lave, higienice, enjuague y seque todas las partes..

Monte de vuelta todos los componentes de la maquina en el orden inverso al del desmontaje , averiguando que todos estén correctamente montados.

### 3.4 Cuidados con los aceros inoxidable

Los aceros inoxidable pueden presentar puntos de “herrumbre”, que SIEMPRE SON PROVOCADOS POR AGENTES EXTERNOS, principalmente cuando el cuidado con la limpieza o higienización no sea constante y adecuado.

La resistencia a la corrosión del acero inoxidable se debe principalmente a la presencia del cromo que, en contacto con el oxígeno, permite la formación de una finísima camada protectora. Esta camada protectora se forma sobre toda la superficie del acero, bloqueando la acción de los agentes externos que provocan la corrosión.

Cuando la camada protectora sufre un rompimiento, el proceso de corrosión es iniciado, pudiendo ser evitado a través de una limpieza constante y adecuada. Inmediatamente después de la utilización del equipamiento, es necesario proceder con la limpieza, utilizando agua, jabón o detergentes neutros, aplicados con un paño suave o esponja de nylon. A seguir, solamente con agua corriente, se debe enjuagar e, inmediatamente secar, con un paño suave, evitando la permanencia de humedad en las superficies y principalmente en las grietas.

El enjuague y el secado son extremadamente importantes para evitar el apareamiento de manchas o corrosiones.

#### **IMPORTANTE**

**Soluciones ácidas, soluciones salinas, desinfectantes y determinadas soluciones esterilizantes (hipocloritos, sales de amoníaco tetravalente, compuestos de iodo, ácido nítrico y otros), deben ser EVITADAS por no poder permanecer mucho tiempo en contacto con el acero inoxidable.**

Visto que generalmente poseen CLORO en su composición, tales sustancias atacan el acero inoxidable, causando puntos de corrosión. Mismo los detergentes utilizados en la limpieza doméstica, no deben permanecer en contacto con el acero inoxidable más de lo necesario, debiendo ser también removidos con agua y la superficie deberá ser completamente seca.

Uso de abrasivos:

Esponjas o estropajos de acero y cepillos de acero en general, además de rallar la superficie y comprometer la protección del acero inoxidable, dejan partículas que oxidan y reaccionan, contaminando el acero inoxidable. Por eso, tales productos no deben ser usados en la limpieza e higienización. Raspados hechos con instrumentos puntiagudos o similares también deberán ser evitados.

Principales sustancias que causan la corrosión de los aceros inoxidable:

Polvos, engrases y soluciones ácidas como el vinagre, sucos de frutas u otros ácidos, soluciones salinas (salmuera), sangre, detergentes (excepto los neutros), partículas de aceros, residuos de esponjas o estropajos de acero común, además de otros tipos de abrasivos.



## 4. NOCIONES GENERALES DE SEGURIDAD

### IMPORTANTE

**En el caso de algun item de las NOCIONES GENERALES DE SEGURIDAD no ser aplicable en su producto, por favor desconsiderar el mismo.**

Las Nociones Generales de Seguridad fueran elaboradas para orientar y instruir adecuadamente a los operadores de las maquinas y aquellos que serán responsables por su manutención.

La maquina debe ser entregue al usuario en buenas condiciones de uso , y este debe ser orientado cuanto al uso y seguridad de la maquina por el revendedor.

El operador debe usar la maquina solamente después de un completo conocimiento de los cuidados a observar, LEYENDO ATENTAMENTE ESTE MANUAL.

### IMPORTANTE

**Cualquier cambio en el sistema de seguridad y en las protecciones de seguridad, creará serios riesgos a la integridad física del operador durante la operación.**

### 4.1 Practicas básicas para la Operación

#### 4.1.1 Peligros

Algunas partes de los accionamientos eléctricos presentan puntos o terminales energizados con altos voltajes . Estes , cuando tocados , pueden causar graves choque eléctricos o hasta la MUERTE de una persona.

Nunca toque un comando manual ( botón , pulsante , llave eléctrica , etc ) con las manos, zapatos o ropas mojadas . No observar esta recomendación podría causar choque eléctrico o hasta la MUERTE.

#### 4.1.2 Advertencias

La posición de la Llave Liga/Desliga , debe ser bien conocida , para que sea posible accionarla a cualquier momento sin tener que procurarla.

Antes de cualquier tipo de manutención , desconecte físicamente la maquina de la red eléctrica.

Arregle espacio suficiente alrededor de la maquina para evitar caídas peligrosas.

Agua y óleo pueden hacer un piso resbaloso y peligroso. Para evitar accidentes el piso debe estar seco y limpio.

Nunca toque en un comando eléctrico casualmente ( botón , pulsante , llave eléctricas o palancas).

Si el trabajo debe ser hecho por dos o más personas , habrá que dar señales de coordinación para cada etapa del trabajo . La etapa siguiente no debe ser comenzada sin que la respectiva señal haya sido dada y respondida.

#### 4 .1 .3 Avisos

Certifiquese de que las instrucciones deste Manual fueran completamente entendidas.

Cada función o procedimiento de operación y manutención debe estar completamente claro.

El accionamiento de un comando manual ( botón , pulsante, llave eléctrica , palanca , etc ) debe ser hecho solamente cuando se tenga la certidumbre que es el comando correcto. En caso de falta de energía eléctrica , desligue la llave eléctrica inmediatamente.

Use los óleos lubricantes o grasas recomendadas, o equivalentes.

Evite choques mecánicos pues podrían causar fallas o malo funcionamiento.

Evite que agua, suciedad o polvo entren en los componentes mecánicos o eléctricos de la maquina.

NO ALTERE las características originales de la maquina.

NO SUCIE, TIRE O RETIRE CUALQUIER ETIQUETA DE SEGURIDAD O IDENTIFICACIÓN. Caso alguna esté ilegible o fuera perdida , solicite otra a su proveedor mas próximo.

## **4.2 Cuidados y Observaciones Antes de Prender la Maquina**

### **IMPORTANTE**

**Lea atentamente y con cuidado las INSTRUCCIONES contenidas en este Manual antes de ligar la maquina . Certifíquese de que fueran entendidas correctamente todas las informaciones . En caso de duda , consulte su superior o el proveedor.**

#### **4.2.1 Peligro**

Conductor eléctrico con aislamiento dañado, puede producir una fuga de corriente eléctrica y provocar choques eléctricos . Antes de usarlo verifique sus condiciones.

#### **4.2.2 Avisos**

Certifíquese que las INSTRUCCIONES contenidas en este Manual, fueran completamente entendidas . Cada función o procedimiento de operación y manutención debe estar claro. El accionamiento de un comando manual (botón, pulsante, llave eléctrica , palanca , etc) debe ser hecho solamente cuando se tenga la certidumbre de que es el correcto.

#### **4.2.3 Cuidados**

El cable de energía eléctrica, responsable por la alimentación de la maquina, debe tener una sección suficiente para soportar la potencia eléctrica consumida.

Los cables eléctricos que se queden sobre el suelo junto de la maquina, deben ser protegidos para evitar corto circuitos.

## **4.3 Inspección de Rutina**

**4.3.1** Al verificar la tension de las correas, NO coloque los dedos entre las correas y la polea.

#### **4.3.2 Cuidados**

Verifique las partes girantes de la maquina al oír algún ruido anormal.

Verifique las protecciones y los aparatos de seguridad para que siempre estén en perfecto funcionamiento.

Verifique la tensión de las correas y caso presenten desgaste haga su sustitución.

#### **4.4 Operación**

##### **4.4.1 Avisos**

No trabaje con pelo largo que podría tocar cualquier parte de la maquina , pues podría causar serios accidentes . Atelo para arriba y para atrás , o cubralo con un pañuelo.

Solamente operadores entrenados y calificados pueden operar la maquina.

JAMÁS opere la maquina , sin algún de sus accesorios de seguridad conectado.

#### **4.5 Después de Terminar el Trabajo**

##### **4.5.1 Cuidados**

Siempre limpie la maquina , para eso DESLÍGUELA FÍSICAMENTE EL ENCHUFE DE SU SOQUETE.

Nunca limpie la maquina antes de su COMPLETA PARADA.

Después de la limpieza recoleque todos los componentes de la maquina en sus debidos lugares.

Al verificar la tensión de las correas, No coloque los dedos entre las correas y la polea.

#### **4.6 Mantenimiento**

##### **4.6.1 Peligros**

Con la maquina ligada cualquier manutención es peligrosa . DESLIGUE LA MAQUINA DE LA RED ELÉCTRICA , DURANTE TODA LA MANUTENCIÓN.

##### **4.6.2 Avisos**

La manutención eléctrica o mecánica debe ser hecha por personas calificadas para hacer el trabajo.

La persona encargada de la manutención debe certificarse que la maquina trabaje siempre en condiciones de total seguridad.

### **IMPORTANTE**

**Siempre retire la flecha de su enchufe en casos de emergencia.**

#### **4.7 Aviso**

El mantenimiento eléctrico o mecánico debe ser hecho por una persona calificada para hacer el trabajo .

La persona encargada por el mantenimiento debe certificarse que la maquina trabaje bajo condiciones TOTALES DE SEGURIDAD .

## **5. Analisis y Resolución de Problemas**

### **5.1 Problemas, Causas y Soluciones**

Las Sierras , fueran diseñadas para que necesiten un mínimo de manutención . Sin embargo pueden ocurrir algunas irregularidades en su funcionamiento , debido al desgaste natural causado por su uso .

Caso haya algún problema con su maquina , verifique la Tabla – 02 abajo , donde están indicadas algunas soluciones recomendadas

**TABLA 02**

<b>PROBLEMAS</b>	<b>CAUSAS</b>	<b>SOLUCIONES</b>
La maquina no se prende	Falta de Energía Eléctrica Problema con el circuito Interno o externo de la maquina	Averigüe si hay energía eléctrica Llame el Servicio Técnico
Olor de quemado o humo	Problema con el circuito Interno o externo de la maquina	Llame el Servicio Técnico
La maquina se prende, pero cuando el producto entra en contacto con la Hoja, la misma para o gira en baja rotación	Correa patinando Problemas con el motor	Llame el Servicio Técnico Llame el Servicio Técnico
La hoja se rompe a menudo	Suciedad en la hoja o el volante Volante dañado	Llame el Servicio Técnico Llame el Servicio Técnico
Cabo electrico dañado	Problema durante el transporte	Llame el Servicio Técnico
Ruidos anormales	Rodamiento dañado Hoja patinando sobre los volantes Hoja sin filo	Llame el Servicio Técnico Llame el Servicio Técnico Llame el Servicio Técnico
Dificultad en el corte del producto	Suciedad en la hoja o en el Volante Hoja con mala tensión	Hacer la limpieza de acuerdo con ítem 3.3 Calibrar la hoja como por ítem 3.2.5 Llame el Servicio Técnico Cambie la Hoja

## 6. Mantenimiento

- El mantenimiento debe ser considerado como un conjunto de procedimientos con el objetivo de conservar el equipo en las mejores condiciones de funcionamiento propiciado un aumento de su vida útil y de su seguridad .

- Limpieza verificar el ítem No. 3.3 de este manual .

- Cableado - verifique todos los cables cuanto a su deterioración y todos los terminales cuanto a su aprieto y corrosión.

- Contactos – Llave prende/desliga, botón de emergencia, botón rearme, circuitos electrónicos, etc Verifique el equipo para que todos los componentes estén funcionando correctamente , y que la operación del equipo sea normal .

- Instalación – Verifique la instalación de su equipo de acuerdo con el ítem 2.1 de este manual.

- Vida util del producto – 2 años para un turno normal de trabajo.

### 1. verificaciones a ejecutar mensualmente :

- Verificar la instalación eléctrica.

- Controlar la tensión de la toma eléctrica

- Medir la corriente eléctrica y compararla con la corriente nominal

- Verificar el aprieto de todos los terminales eléctricos para evitar malos contactos .

- Verificar posibles holguras del eje del motor eléctrico

- Controlar el cableado eléctrico para identificar señales de sobrecalentamiento, aislamiento deficiente o avería mecánica .

### 2. verificaciones a ejecutar cada tres meses :

- Verificar los componentes eléctricos como la llave prende/desliga, botón de emergencia, botón rearme, y circuitos electrónicos con respecto a sobrecalentamiento, aislamiento deficiente o avería mecánica .

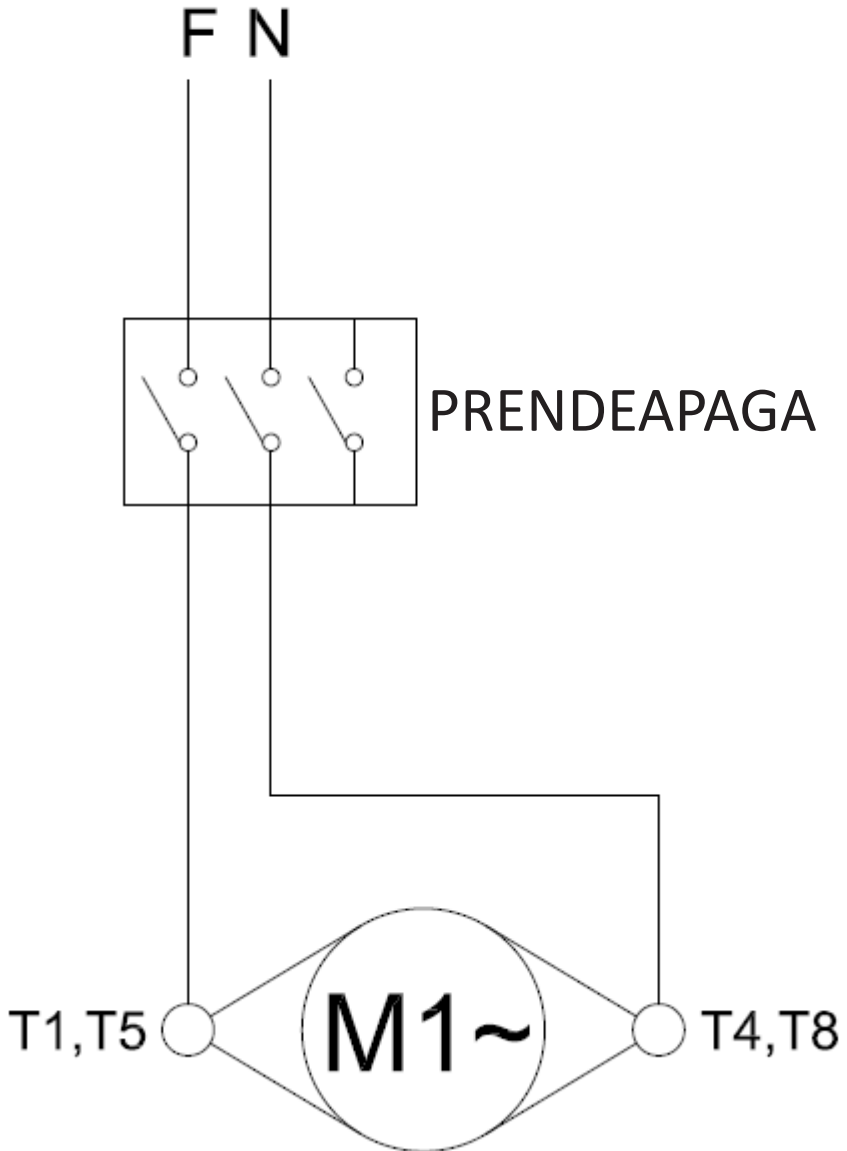
- Verificar posibles holguras en los ejes y rodamientos .

- Verificar retenedores, anillos O'ring , anillos V'ring, y otros sistemas de vedamiento

7. Diagrama Electrico

# RED ELÉCTRICA

## 220V / 50Hz















METALÚRGICA SIEMSEN LTDA.

CNPJ: 82.983.032/0001-19

Rodovia Ivo Silveira - km 12, nº 9525, Galpão 1 - Bairro: Bateas - CEP: 88355-202

Brusque - Santa Catarina - Brasil

Fone: +55 47 3211 6000 - Fax: +55 47 3211 6020

[www.siemsen.com.br](http://www.siemsen.com.br) - [comercial@siemens.com.br](mailto:comercial@siemens.com.br)

65121.4 - INGLÊS/ESPAÑHOL

Data de Correção: 13/11/2018

**WWW.SIEMSEN.COM.BR**

---

Besides this equipment, a complete range of other products are manufactured , consult our dealers  
Due to the constant improvements introduced to our equipments , the information contained in the present  
Instruction Manual may be modified without previous notice .