

INSTRUCTIONS MANUAL

Skymesen



MEAT GRINDER STAINLESS STEEL, BARREL 98

MODEL

PSP-98M/T

SUMMARY

1. Introduction	3
1.1 Safety	3
1.2 Main Components	5
1.3 Technical Characteristics	6
2. Installation and Pre Operation	7
2.1 Installation	7
2.2 Pre Operation	8
3. Operation	8
3.1 Starting.....	8
3.2 Operation Procedure	9
3.3 Grind Device Internal Assembling	10
3.4 Cleaning and Sanitizing	11
3.5 Cautions with Stainless Steel:	12
4. General Safety Practices	13
4.1 Basic Operation Procedures	13
4.2 Safety Procedures and Notes before Switching the Machine ON	14
4.3 Routine Inspection.....	14
4.4 Operation	15
4.5 After Finishing The Work.....	15
4.6 Maintenance	15
4.7 Warning.....	15
5. Analysis and Problems Solving	16
5.1 Problem, causes and solutions	16
5.2 Adjusting and Replacing Components	16
6. Maintenance	18
7. Electric Diagram	19

1. Introduction

1.1 Safety

This equipment is suitable to grind meat without bones and defrosted and if not correctly used it may be potentially DANGEROUS. Maintenance, cleaning or any other service are to be done by a qualified person with the machine unplugged.

To avoid accidents, injuries and damages to the equipment, follow the below instructions :

1.1.1 Read carefully the complete instructions

1.1.2 To avoid the risk of electric shock and damage to the equipment never use the equipment with wet clothes or wet feet, nor on a wet floor, never dip the equipment or spray water or any other liquid on it.

1.1.3 When in use the equipment must always be watched , specially when children might be near.

1.1.4 Unplug the equipment from electric network when not in use, before to clean it, before to place or remove any accessory, during maintenance or any other kind of service

1.1.5 Do not use any equipment having a damaged cord or plug.
Make sure the cord not to lean on a table edge, nor to touch a hot surface.

1.1.6 If the equipment has fall, is damaged or do not switch on take it to a Technical Assistance to be checked, repaired or adjusted.

1.1.7 Do not use accessories not recommended by the manufacturer.

1.1.8 Keep your hands or any tool away from the parts in movement to avoid corporal injuries or equipment damage.

1.1.9 Never use clothes with wide sleeves during operation.

1.1.10 Make sure the equipment voltage is the same as the network voltage and that the equipment is duly grounded.

1.1.11 Before to start the equipment, make sure the Barrel# 02 (Pic 01) Is firm in its position and all its internal components are correctly assembled, see Picture 02.

1.1.12 This equipment has been developed for commercial operation, it is used for instance in restaurants, fast foods, hospitals, bakeries, butchers and similar.

It is not recommended to use it

- For continuous industrial production

- A working ambient having a corrosive or explosive atmosphere, or contaminated with water vapour, dust or gas.

IMPORTANT

Make sure the cord is in perfect working conditions , if not, change it for one in perfect conditions in accordance with the local safety norms . Such change shall be made by qualified professional.

IMPORTANT

This equipment must not be used by children or any persons with reduced physical or mental aptness, lack of experience or knowledge, unless they are under supervision or have received from the person responsible for safety, proper instructions on how to use the equipment.

IMPORTANT

Keep this equipment out of children reach

IMPORTANT

In emergency cases unplug the equipment

IMPORTANT

Do not spray water directly on the equipment

1.2 Main Components

All components are made with carefully selected materials, in accordance with Skymssen experience and standard testing procedures.

The Barrel # 02 (Pic.01) and the Worm # 03 (Pic.02) receive a superficial treatment to isolate and facilitate cleaning.

Knife and plates are made of hardened material to provide a long life cutting quality.

PICTURE 01



- 1 - Stumper
- 2 - Barrel
- 3 - Locking Ring

- 4 - Pan
- 5 - Motor Hopusing
- 6 - ON/OFF Switch

1.3 Technical Characteristics

TABLE 01

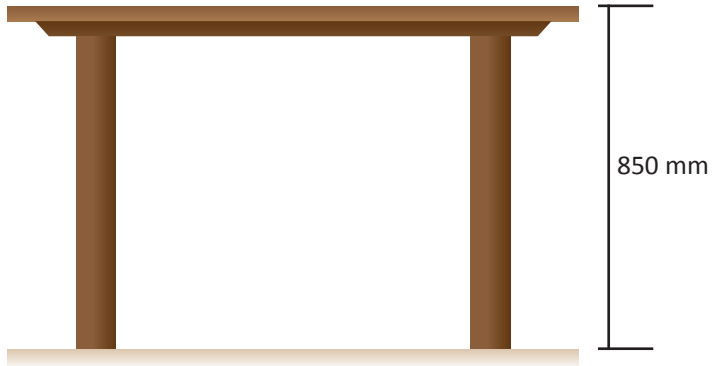
CHARACTERISTICS	UNIT	PSP-98M	PSP-98M	PSP-98M	PSP-98T
Average Production	kg/h	up to 450	up to 450	up to 450	up to 450
Voltage	V	110	220	220	220 or 230
Frequency	Hz	60	60	50	50
Power Rating	CV	2	2	2	2
Height	mm	540	540	540	540
Width	mm	410	410	410	410
Depth	mm	830	830	830	830
Net Weight	kg	53,3	53,3	53,3	59,1
Gross Weight	kg	71,7	71,7	71,7	74,5

2. Installation and Pre Operation

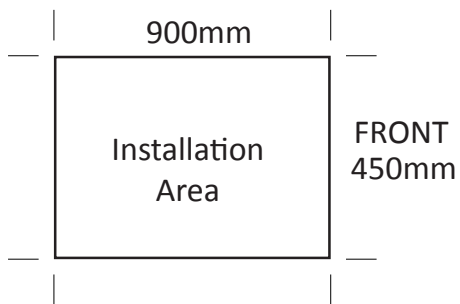
2.1 Installation

2.1.1 Placing

The Meat Grinder must be placed onto a level and stable surface, preferably 850mm high from floor.



Recommended area for installation



2.1.2 Electrical Installation

These equipments has been designed for 110, 220 or 230 V (single voltage according to the equipment purchased). When receiving the equipment check the voltage indicated on the cord label.

The cord has a plug with three pins, the middle one is ground. It is mandatory the three pins to be duly connected before to start the machine.

IMPORTANT

Make sure the network voltage is the same as the voltage indicated on the cord label.

2.2 Pre Operation

First of all check if the machine is firm in its position.

Before operation all parts that get in contact with food must be washed with running water and neutral soap (see item 3.4 cleaning).

IMPORTANT

Do not tighten the Locking Ring too much when assembling the Grinding Device as an excessive pressure may cause to block or to break the internal components.

3. Operation

3.1 Starting

IMPORTANT

Unplug the equipment before to remove the Barrel. The machine is silent, do not let on the pan any kind of objects such as knives, forks or similar.

Make sure that the Barrel internal components follow the correct sequence as instructed on Picture 02.

Starting is made as follows:

- 1 –Plug the equipment on the network socket.
- 2- Press the ON/OFF Switch # 06 (Pic. 01) on position “I”

3.2 Operation Procedure

IMPORTANT

Under no circumstances use your hands or any other kind of instrument to push meat into the feeding throat. Use only the Stumper # 01 (Pic.01) to do this operation.

The processed meat has the function to lubricate and to cool the Barrel internal components. Therefore do not run the machine without load, as it would warm up and damage the internal components.

The Meat Grinders are relatively fast machines, therefore they need equally be fast fed.

To feed the Meat Grinders place pieces of meat on the Pan # 04 (Pic.01) and drive them with your hand towards the feeding throat entry only. Then, use the Stumper # 01 (Pic.01) to push them into the feeding throat where they will be sucked in.

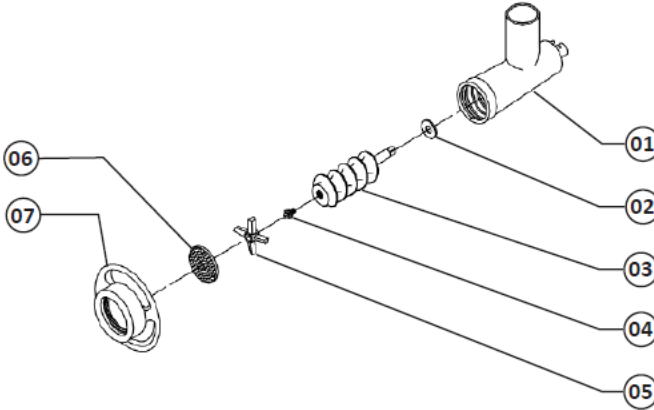
3.3 Grind Device Internal Assembling

IMPORTANT

Note the correct position of each Barrel internal component. Assembling the components in a different order could cause irreparable damages to the Grinding Device.

To assemble or disassemble the Barrel internal components follow the below sequence:

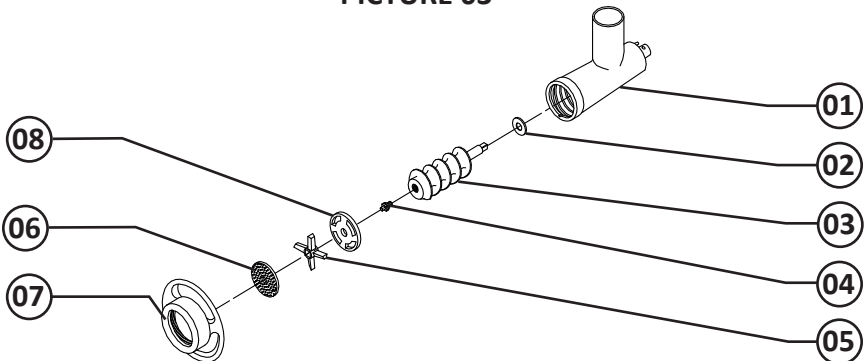
PICTURE 02



- 01 - Barrel
- 02 - Fiber Washer
- 03 - Worm
- 04 - Worm Pin

- 05 - Knife
- 06 - Plates 5 mm (optional 3 mm or 8 mm)
- 07 - Locking Ring

PICTURE 03



- 01 - Barrel
- 02 - Fiber Washer
- 03 - Worm
- 04 - Worm Pin

- 05 - Knife
- 06 - Plates 5 mm (optional 3 mm or 8 mm)
- 07 - Locking Ring
- 08 - Pre-Cutter Plate

IMPORTANT

Depending on the purchased Meat Grinder model, the Mouth could be equipped with a Pre-Cutter Plate (Pic. 03) or without the Pre-Cutter Plate (Pic. 02).

3.4 Cleaning and Sanitizing

IMPORTANT
Unplug the machine before to start cleaning.

The equipment shall be totally cleaned and sanitized :

- Before to be used first time
- After every day's operation
- When it will not be used during a long time
- Before to operate it after a long period unused

Some parts of the equipment may be removed for cleaning , such:

- Stumper
- Pan
- Locking Ring
- Barrel and its internal components (see item 3.3)

Procedure to remove the Barrel internal components:

- Remove the Stumper # 01 (Pic.01) and the Pan # 04 (Pic.01)
- Remove the Locking Ring # 03 (Pic 01)
- Remove the Barrel # 02 (Pic.01) , hold the barrel, but before, loosen the handle on the left side of the equipment, then move the Barrel left to right and forward .
- Remove the Barrel internal components.

Wash all the parts that might be in contact with the product using water and neutral soap, then dry them with a clean cloth.

To reassemble the Barrel internal components follow item 3.3 instructions.

IMPORTANT
Do not store the Barrel with product inside, to avoid the product to freeze and therefore damage the internal components.

IMPORTANT
Do not spray water directly to the equipment

3.5 Cautions with Stainless Steel:

The Stainless Steel may present rust signs, which ARE ALWAYS CAUSED BY EXTERNAL AGENTS, especially when the cleaning or sanitization is not constant and appropriate.

The Stainless Steel resistance towards corrosion is mainly due to the presence of chrome, which in contact with oxygen allows the formation of a very thin protective coat. This protective coat is formed through the whole surface of the steel, blocking the action of external corrosive agents.

When the protective coat is broken, the corrosion process begins, being possible to avoid it by means of constant and adequate cleaning.

Cleaning must always be done immediately after using the equipment. For such end, use water, neutral soap or detergent, and clean the equipment with a soft cloth or a nylon sponge. Then rinse it with plain running water, and dry immediately with a soft cloth, this way avoiding humidity on surfaces and especially on gaps.

The rinsing and drying processes are extremely important to prevent stains and corrosion from arising.

IMPORTANT

Acid solutions, salty solutions, disinfectants and some sterilizing solutions (hypochlorites, tetravalent ammonia salts, iodine compounds, nitric acid and others), must be AVOIDED, once they cannot remain for long in contact with the stainless steel:

These substances attack the stainless steel due to the CHLORINE on its composition, causing corrosion spots (pitting).

Even detergents used in domestic cleaning must not remain in contact with the stainless steel longer than the necessary, being mandatory to remove it with plain water and then dry the surface completely.

Use of abrasives:

Sponges or steel wool and carbon steel brushes, besides scratching the surface and compromising the stainless steel protection, leave particles that rust and react contaminating the stainless steel. That is why such products must not be used for cleaning and sanitization. Scrapings made with sharp instruments or similar must also be avoided.

Main substances that cause stainless steel corrosion:

Dust, grease, acid solutions such as vinegar, fruit juices, etc., saltern solutions (brine), blood, detergents (except for the neutral ones), common steel particles, residue of sponges or common steel wool, and also other abrasives.

4. GENERAL SAFETY PRACTICES

IMPORTANT

If any recommendation is not applicable to your equipment , please ignore it .

The following safety instructions are addressed to both the operator of the machine as well as the person in charge of maintenance.

The machine has to be delivered only in perfect conditions of use by the Distributor to the user. The user shall operate the machine only after being well acquainted with the safety procedures described in the present manual. **READ THIS MANUAL WITH ATTENTION.**

IMPORTANT

Any change in the protection systems and safety devices will during operation, create serious risks to the operator physical integrity

4.1 Basic Operation Procedures

4.1.1 Dangers

Some areas of the electric device have parts that are connected or have parts connected to high voltage. These parts when touched may cause severe electrical shocks or even be lethal.

Never touch manual commands such as switches, buttons, turning keys and knobs with your hands wearing wet clothes and/or wet shoes. By not following these instructions operator could be exposed to severe electrical shocks or even to a lethal situation.

4.1.2 Warnings

- * The operator has to be well familiar with the position of ON/OFF Switch to make sure the Switch is easy to be reached when necessary.
- * Before any kind of maintenance, physically remove plug from the socket.
- * Provide space for a comfortable operation thus avoiding accidents.
- * Water or oil spilled on the floor will turn it slippery and dangerous. Make sure the floor is clean and dry.
- * Before using any commands (switch, buttons, lever), be sure it is the correct one. In case of doubt, consult this manual.
- * Never touch any manual commands (switch, buttons, lever) unadvisedly.
- * If any work is to be made by two or more persons, coordination signs will have to be given for each operation step. Every step of the operation shall be taken only if a sign has been made and responded.

4.1.3 Advices

- * In case of power shortage, immediately switch the machine off.* Use recommended or equivalent lubricants, oils or greases.
- * Avoid mechanical shocks, once they may cause damages or bad functioning.
- * Avoid water, dirt or dust contact to the mechanical and electrical components of the machine.
- * DO NOT change the standard characteristics of the machine.
- * DO NOT remove, tear off or maculate any safety or identification labels stuck on the machine. If any labels have been removed or are no longer legible, contact your nearest dealer for replacement.

4.2 Safety Procedures and Notes before Switching the Machine ON

IMPORTANT

**Carefully read ALL INSTRUCTIONS of this manual before turning the machine ON.
Be sure to well understand all the information contained in this manual. If you
have any question contact your supervisor or your nearest Dealer.**

4.2.1 Danger

An electric cable or electric wire with damaged jacket or bad insulation might cause electrical shocks as well as electrical leak. Before use, check the conditions of all wires and cables.

4.2.2 Advices

Be sure to well understand all the information contained in this manual. Every operation function or procedure has to be thoroughly clear.

Before using any commands (switch, buttons, lever), be sure it is the correct one. In case of doubt, consult this manual.

4.2.3 Precautions

The electric cable has to be compatible with the power required by the machine.

Cables touching the floor or close to the machine need to be protected against short circuits.

4.3 Routine Inspection

4.3.1 Advice

When checking the tension of the belts or chains, DO NOT insert your fingers between the belts and the pulleys and nor between the chain and the gears.

4.3.2 Precautions

Check the motor and sliding or turning parts of the machine in case of abnormal noises. Check the tension of the belts and chains and replace the set when belts or chains show signs of wearing.

When checking the tension of belts or chains DO NOT insert your fingers between belts and pulleys, nor between the chains and gears.

Check protections and safety devices to make sure they are working properly.

4.4 Operation

4.4.1 Warnings

Do not use the machine with long hair that could touch any part of the machine. This might lead to a serious accident. Tie your hair up well and/or cover it with a scarf.

Only trained or skilled personnel shall operate this machine.

Never touch turning parts with your hands or any other way ,

NEVER operate the machine without any original safety devices under perfect conditions.

4.5 After Finishing The Work

4.5.1 Precautions

Always TURN THE MACHINE OFF before cleaning by removing the plug from the socket.

Never clean the machine unless it has come to a complete stop.

Put all the components back to their functional positions before turning the machine ON again.

Check the level of liquids.

Do NOT insert your fingers in between belts and pulleys nor chains and gears.

4.6 Maintenance

4.6.1 Danger

Any maintenance with the machine in working situation is dangerous. TURN IT OFF BY PULLING THE PLUG OFF THE SOCKET DURING MAINTENANCE.

IMPORTANT

Always remove the plug from the socket in any emergency situation.

4.7 Warning

Electrical or mechanical maintenance has to be undertaken by qualified personnel.

The person in charge of maintenance has to be sure that the machine is under TOTAL SAFETY conditions when working.

5. Analysis and Problems Solving

5.1 Problem, causes and solutions

The Meat Grinders were designed to operate with the need of minimum maintenance but the natural wearing caused by longer use of the equipment may occasionally cause some malfunctions.

If such problem occurs with your Meat Grinder refer to the below Table in which the most common situations are listed with recommended solutions.

5.2 Adjusting and Replacing Components

5.2.1 Plate and knife sharpening

Well-sharpened plates and knife will make machine to work with less effort and consequently all components will last longer. Therefore call your nearest technical assistant to sharpen plates and knife periodically.

5.2.2 Gear Box

The Meat Grinders have a gear box lubricated with oil.

To keep your machine in good conditions for a long time check oil level at every 5.000 hours of use. Take your machine to the nearest technical assistant to do this job.

The gear box oil capacity is 250 ml. The following oils are recommended: UNITRON 140-CASTROL or similar having a viscosity (SAE140, APIGL-4 or ANP1006).

TABLE 02

PROBLEMS	CAUSES	SOLUTIONS
The machine does not start	Electricity shortage Worn out or broken gears Problems with the electric circuits	Check electricity supply Call Technical assistance Call Technical assistance
Smoke or burnt smell	Problems with the electric circuits	Call Technical assistance
The machine starts but the worm does not turn or turn too slow	Worn out or broken gears Problems with the motor	Call Technical assistance Call Technical assistance
The cord is damaged	Damages during transportation	Call Technical assistance
Strange noise	Damaged bearings	Call Technical Assistance
The processed meat comes out smashed	One of the internal components of the Barrel is missing or assembled incorrectly Plate or knife are blunt	Check the internal components assembling see Pic. 02 See item 5.2.1
The worm stops during operation	Electricity shortage Problems with the electric circuits Worn out or broken gears	Check if the plug is in the socket and possible electricity shortage Call Technical Assistance Call Technical Assistance
Oil leaking through the gear box	Damaged seal	Call Technical Assistance

6. Maintenance

Maintenance must be considered a set of procedures with the purpose to keep the equipment best operating conditions, therefore increasing the equipment life and safety.

* Cleaning – check item 3 4 Cleaning.

* Wiring – Check all wires regarding deteriorate conditions as well as all electric contacts (terminals) regarding tightening and corrosion.

*Contacts – ON/OFF switch, emergency button, reset button, electronic circuits etc, check the equipment in order to assure that all components are correctly working and the equipment operation is normal.

* Installation – make sure the installation followed item 2.1 instructions.

* Equipment life span – 2 years assuming a normal day working hours.

1 – Each month check:

- Check the electrical installation
- Measure the voltage at the socket
- Measure the working current and match it with the nominal current
- Check the tightening of all electric terminals to avoid bad contacts
- Check electric motor shaft clearance
- Check the wiring for overeating , insulation failures and mechanical damages.

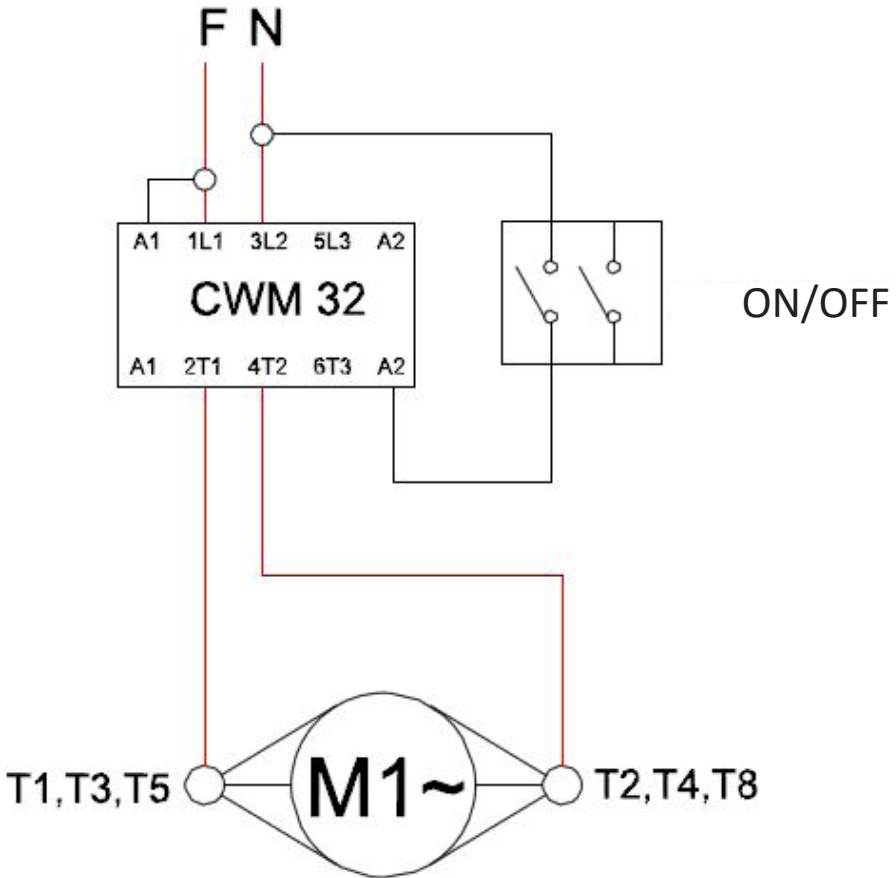
2 – Each three month checks:

- Check electrical components such as ON/OFF switch, emergency button, reset button, electronic electric circuits, overeating, insulation failings, or mechanical damages
- Check bearings clearances
- Check retainers, O’rings, V’rings and other seals

7. Electric Diagram

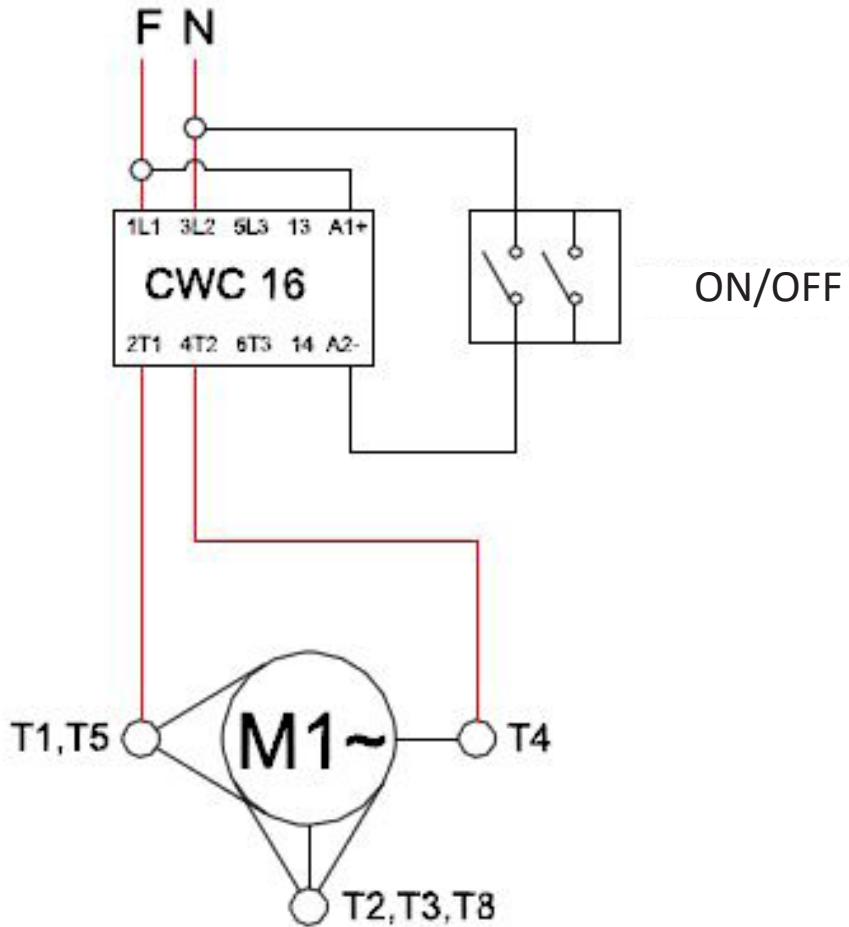
ELECTRICAL NETWORK

110V / 60Hz



ELECTRICAL NETWORK

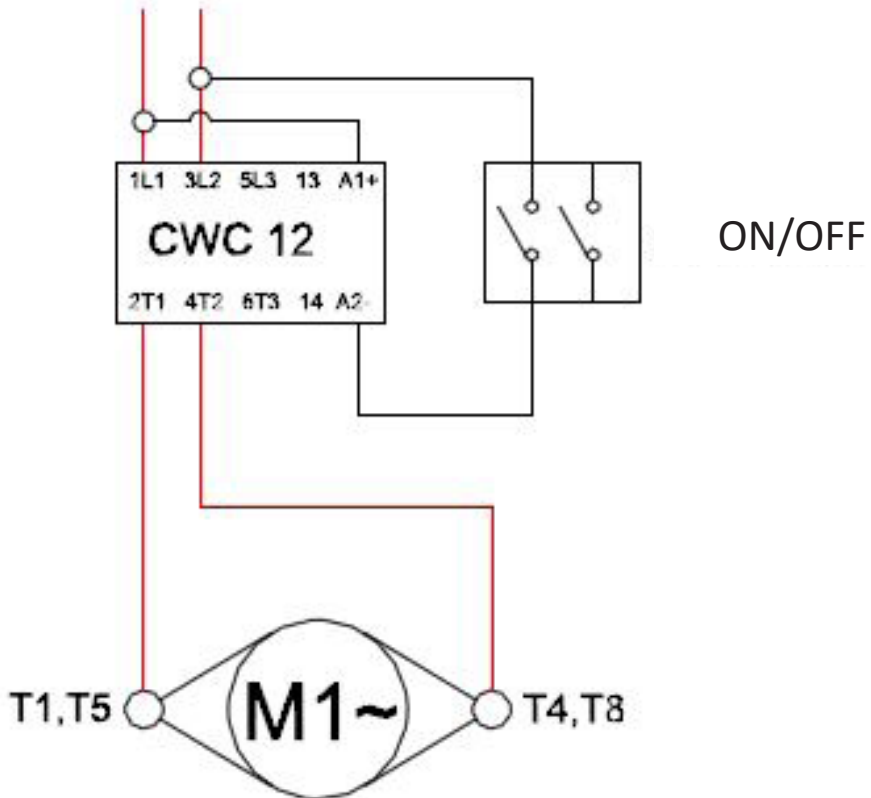
220V / 60Hz



ELECTRICAL NETWORK

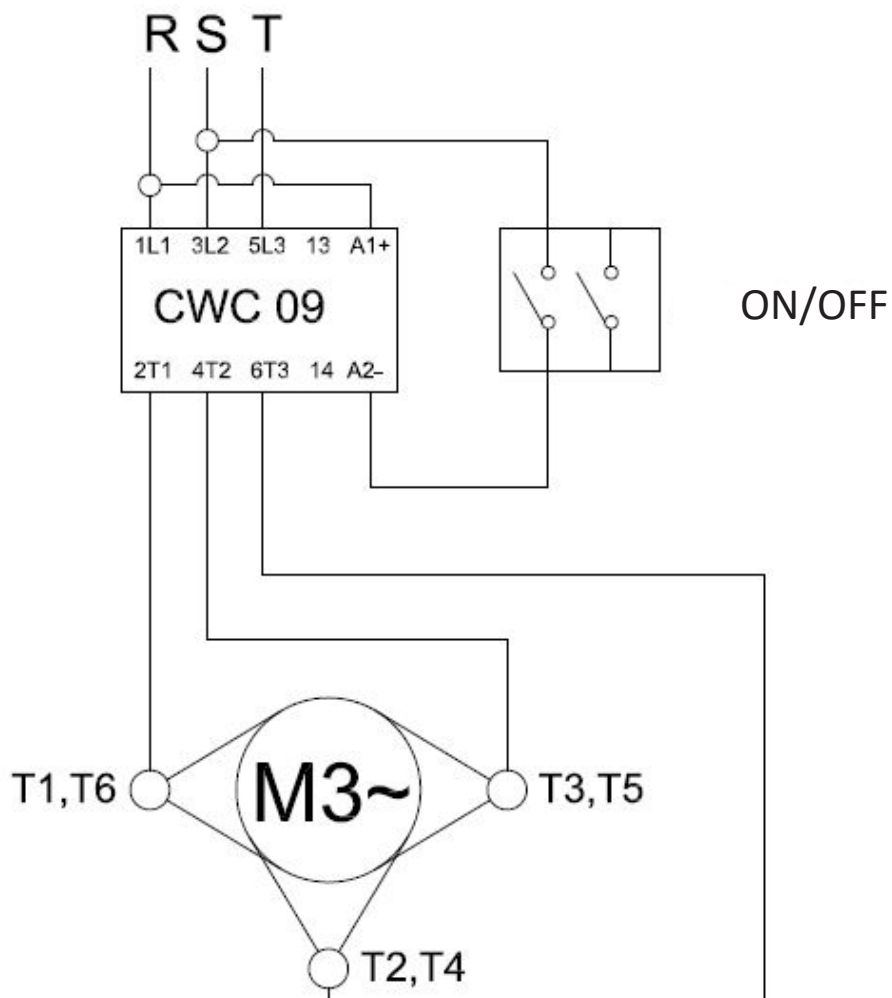
220V / 50Hz

F N



ELECTRICAL NETWORK

220V / 50Hz



SUMÁRIO

1. Introducción	24
1.1 Seguridad	24
1.2 Principales Componentes.....	26
1.3 Características Técnicas.....	27
2. Instalación y Pre-operación.....	28
2.1 Instalación	28
2.2 Pre-operación	29
3. Operación	30
3.1 Accionamiento.....	30
3.2 Procedimiento para Operación	30
3.3 Sistema de Seguridad.....	31
3.4 Montaje de los componentes internos de la Boca	31
3.5 Limpieza e Higienización	32
3.6 Cuidados con los aceros inoxidables	33
4. Nociones Generales de Seguridad	34
4.1 Practicas básicas para la Operación	34
4.2 Cuidados y Observaciones Antes de Prender la Maquina	35
4.3 Inspección de Rutina.....	35
4.4 Operación.....	36
4.5 Después de Terminar el Trabajo	36
4.6 Mantenimiento.....	36
4.7 Aviso	36
5. Análisis y Soluciones de Problemas.....	37
5.1 Problemas, Causas y Soluciones.....	37
5.2 Ajuste y Sustitución de los componentes	37
6. Mantenimiento.....	39
7. Diagrama Electrico.....	40

1. Introducción

1.1 Seguridad

Este equipamiento es indicado para moler carnes sin huesos y descongeladas, y es potencialmente PELIGROSO, cuando utilizado incorrectamente. Es necesario realizar el mantenimiento, limpieza y/o cualquier servicio por una persona cualificada y con el equipamiento desconectado de la toma de corriente eléctrica.

Las instrucciones abajo deberán ser seguidas para evitar accidentes:

1.1.1 Leer todas las instrucciones.

1.1.2 Para evitar el riesgo de un choque eléctrico y daños al equipamiento, nunca lo utilice con: ropas o pies mojados y/o en superficie húmeda o mojada, no remoja el equipo en agua o cualquier otro tipo de líquido y tampoco utilice chorro de agua directamente sobre el equipamiento.

1.1.3 La utilización del equipamiento debe siempre estar supervisada principalmente cuando estuviera siendo utilizado cerca a niños.

1.1.4 Desconectar el equipamiento de la red eléctrica cuando no esté en uso, antes de iniciar la limpieza, antes de remover los accesorios, antes de montar los accesorios, antes de un mantenimiento y, antes de realizar cualquier otro tipo de servicio.

1.1.5 No utilizar el equipamiento caso esté con el cable eléctrico o enchufe dañado. Asegurarse que el cable de fuerza no permanezca en el borde de la mesa o bancada o cualquier superficie caliente.

1.1.6 Cuando el equipamiento sufre una caída, o si estuviera dañado de alguna forma o no funciona es necesario llevarlo hasta un Servicio Técnico para revisión, reparo, ajuste mecánico o eléctrico.

1.1.7 La utilización de accesorios no recomendados por el fabricante pueden ocasionar lesiones corporales.

1.1.8 Mantener las manos y cualquier utensilio alejados de las partes en movimiento del equipamiento durante su funcionamiento para evitar lesiones corporales o daños al equipamiento.

1.1.9 Durante la operación y uso de equipamiento, nunca usar ropas de manga larga, principalmente con puño.

1.1.10 Antes de prender el equipamiento, verificar se la Boca N°02 (Fig.01) está firme en su posición y si todos sus componentes internos están montados correctamente según indicado en la Figura 2.

1.1.11 Este producto fue proyectado para el uso en cocinas comerciales como ejemplo: restaurantes, hospitales, panaderías, carnicerías, supermercados y similares.

El uso de este equipamiento no es recomendado cuando:

- El proceso de producción sea de forma continua en escala industrial;
- El local de trabajo sea un ambiente con atmosfera corrosiva, explosiva, contaminada con vapor, polvo o gas.

IMPORTANTE

Asegurarse que el cable de alimentación eléctrica esté en perfectas condiciones de uso. Caso contrario haga la sustitución del cable dañado por otro nuevo y que atienda las especificaciones técnicas y de seguridad.

Dicha sustitución deberá ser realizada por un profesional cualificado y deberá atender las normas de seguridad de su país.

IMPORTANTE

Este equipamiento no se destina a la utilización por personas (inclusive niños) con capacidad física, sensoriales o mentales reducidas, o por personas con falta de experiencia y conocimiento, a menos que tenga recibido instrucciones referente la utilización de equipamiento o estén bajo supervisión de una persona responsable por su seguridad.

IMPORTANTE

Discos perforados con forma oval o con diámetros mayores que los originales de fábrica, no deben ser utilizados.

IMPORTANTE

En caso de una emergencia, desenchufarlo de la toma de la corriente eléctrica.

IMPORTANTE

Nunca usar jatos de agua directamente sobre el equipamiento.

1.2 Principales Componentes

Todos los componentes que incorporan este equipamiento son construidos con materiales cuidadosamente seleccionados para cada función, dentro de padrones de ensayos y de la experiencia de Metalúrgica Skymesen Ltda.

La boca N°02 (Fig.01) y la tuerca sinfín (gusano) N° 03 (Fig.02), recibieron tratamiento superficial para aislar y facilitar la limpieza.

La cuchilla y los discos son construidos en material templado para garantizar la calidad de corte por un tiempo más largo.

FIGURA 01



01 – Empujador
02 – Boca
03 – Volante

04 - Bandeja de Seguridad
05 – Gabinete
06 – Llave Prender/Apagar

1.3 Características Técnicas

TABLA 01

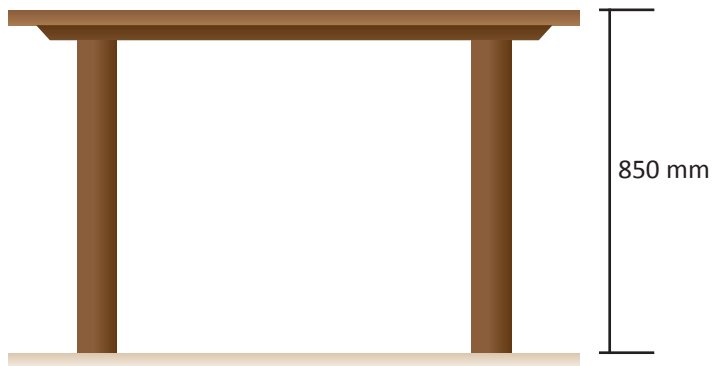
CARACTERÍSTICAS	UNIT	PSP-98M	PSP-98M	PSP-98M	PSP-98T
Producción Mediana	kg/h	hasta 450	hasta 450	hasta 450	hasta 450
Voltaje	V	110	220	220	220 ó 230
Frecuencia	Hz	60	60	50	50
Potencia	CV	2	2	2	2
Altura	mm	540	540	540	540
Largo	mm	410	410	410	410
Ancho	mm	830	830	830	830
Peso Neto	kg	53,3	53,3	53,3	59,1
Peso Bruto	kg	71,7	71,7	71,7	74,5

2. Instalación y Pre-operación

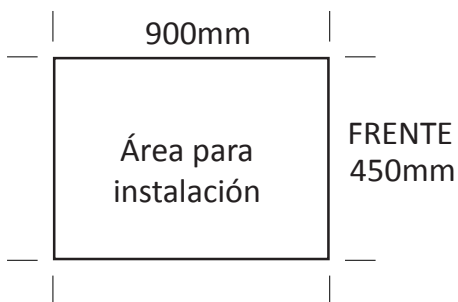
2.1 Instalación

2.1.1 Posicionamiento

Su equipamiento debe ser posicionado y nivelado sobre una superficie seca y firme con preferencialmente 850mm de altura.



Planta baja del área recomendada para la instalación del equipamiento.



2.1.2 Instalación Eléctrica

Estés equipamientos fueran desarrollados para trabajar en 110, 220 or 230 V (voltaje única según equipamiento comprado). Al recibirlo, verifique el voltaje registrado en la etiqueta que va fijada en el cable eléctrico.

IMPORTANTE

Asegurarse de que la tensión de la red eléctrica donde el equipamiento será instalado es compatible con la tensión indicada en la etiqueta existente en el cable eléctrico.

2.2 Pre-operación

Antes de utilizar este equipamiento, se debe lavar con agua y jabón neutro todas las partes que entran en contacto con el alimento a ser procesado (leer el ítem 3.5 Limpieza e Higienización).

Verifique si el equipamiento está estable en su local de trabajo.

IMPORTANTE

Al armar la boca completa, no apretar demasiado el volante N° 03 (Fig. 01), de esta forma se evitará el trabamiento o la quiebra de los componentes internos de la boca.

3. Operación

3.1 Accionamiento

IMPORTANTE

Desligar el equipamiento siempre que desear retirar la boca. El equipamiento es silencioso. No dejar utensilios como: cuchillos, ganchos y otros sobre la bandeja de seguridad.

Esté seguro de que al armar los componentes de la boca, estos estén en la secuencia correcta, según indicado en la (Fig. 02)

El accionamiento del equipamiento es hecho según descripto abajo:

- 1-Conectar el Enchufe del equipamiento en la toma de corriente eléctrica.
- 2-Verificar se la Bandeja de Seguridad N° 04 (Fig.01) está debidamente posicionada en su lugar de trabajo;
- 3-Presionar la llave PRENDER/APAGAR N° 06 (Fig.01) para la posición "I" haciendo así que el equipamiento se prenda.

3.2 Procedimiento para Operación

IMPORTANTE

Bajo ninguna circunstancia utilizar instrumentos raros como: cubiertos, palos de madera, etc. para empujar el alimento a ser procesado para el interior de la boca, ni tampoco usar las manos. Utilizar el empujador N° 01 (Fig.01) para ayudarlo con esta operación.

El alimento a ser procesado en el interior de la boca (carne en trozos pequeños), tiene también la función de lubricar y enfriar los componentes de la misma. Por eso, no dejar el equipamiento prendido en vacío, pues irá calentar demasiado los componentes, dañificándolos.

El molino de carnes es un equipamiento que trabaja en alta velocidad y, para eso, es necesario que la alimentación de la boca con los pedazos de carne sea igualmente rápida.

Para alimentar la boca, coloque los pedazos de carne sobre la bandeja de seguridad N°04 (Fig. 01), y conduzca los mismos hasta la entrada de la boca de alimentación. Con la ayuda del empujador N°01 (Fig.01) empujar los pedazos de carne hacia el interior de la boca, donde serán tragados y agarrados por el sinfín (gusano).

3.3 Sistema de Seguridad

Este equipamiento posee un sistema de seguridad que impide su accionamiento cuando la corriente eléctrica es restablecida después de una desconexión temporaria.

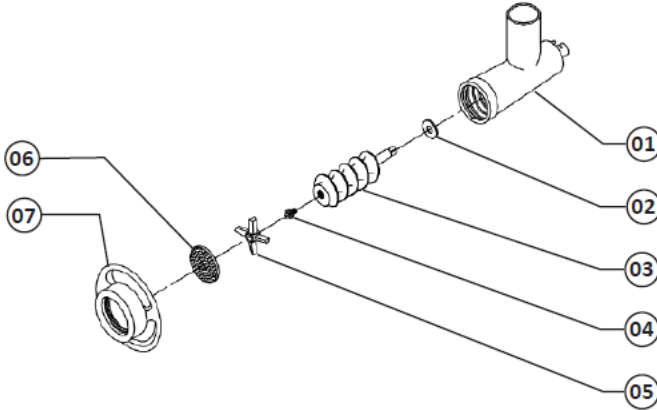
3.3 Montaje de los componentes internos de la Boca

IMPORTANTE

Observar la posición de los componentes internos de la boca para no haber inversiones de los mismos, pues esto hará daños irreparables en el equipamiento.

Para montar o desmontar los componentes de la Boca, siga las instrucciones abajo:

FIGURA 02



01 - Boca

02 - Arandela de fibra

03 - Tuerca sinfín (gusano)

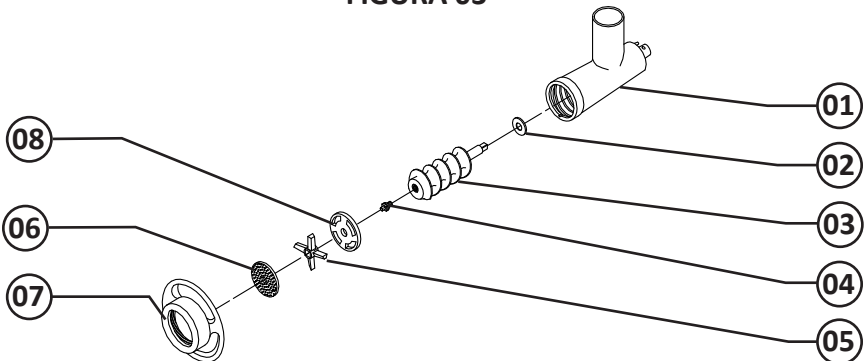
04 - Clavilla del Gusano

05 - Cuchilla

06 - Disco 5mm (opcional 3mm y 8mm)

07 - Volante

FIGURA 03



01 - Boca

02 - Arandela de fibra

03 - Tuerca sinfín (gusano)

04 - Clavilla del Gusano

05 - Cuchilla

06 - Disco 5mm (opcional 3mm y 8mm)

07 - Volante

08 - Disco Pre Cortador

IMPORTANTE

Dependiendo el modelo de molino adquirido, el cabezal podrá contener un disco Pre Cortador (Fig. 03) o sin disco Pre Cortador (Fig. 02).

3.5 Limpieza e Higienización

IMPORTANTE

Retirar el enchufe de la toma de corriente eléctrica antes de iniciar el proceso de limpieza.

El equipamiento debe ser totalmente limpiado e higienizado:

- Antes de ser usado por primera vez;
- Después del uso a diario;
- Siempre que no fuera utilizado por un periodo prolongado;
- Después de un periodo largo sin uso.

Algunas partes del equipamiento pueden ser removidas para la limpieza, como:

- Bandeja, empujador, boca y sus componentes internos
- Retirar el empujador N° 01 (Fig.01) de la bandeja de Seguridad N° 04 (Fig.01), para facilitar la retirada de la boca.

Para retirar la Boca, proceda conforme abajo:

- Remover el Volante N° 03 (Fig.01) y a seguir, retirar sus componentes internos. Para eso tirarlos hacia afuera.

- Agarrar y sostener la Boca N° 02 (Fig.01) para luego liberar (desatornillar) el manípulo ubicado en la lateral izquierda del equipamiento, moviéndolo alternadamente para los lados y hacia adelante.

Lavar las partes con agua y jabón neutro, enjuagar con agua caliente y luego secar muy bien todas las partes.

IMPORTANTE

No guardar la boca con el producto en el interior, donde se puede congelar.

IMPORTANTE

No utilice chorro del agua directamente en el equipo.

3.6 Cuidados con los aceros inoxidable

Los aceros inoxidable pueden presentar puntos de “herrumbre”, que SIEMPRE SON PROVOCADOS POR AGENTES EXTERNOS, principalmente cuando el cuidado con la limpieza o higienización no sea constante y adecuado.

La resistencia a la corrosión del acero inoxidable se debe principalmente a la presencia del cromo que, en contacto con el oxígeno, permite la formación de una finísima camada protectora. Esta camada protectora se forma sobre toda la superficie del acero, bloqueando la acción de los agentes externos que provocan la corrosión.

Cuando la camada protectora sufre un rompimiento, el proceso de corrosión es iniciado, pudiendo ser evitado a través de una limpieza constante y adecuada. Inmediatamente después de la utilización del equipamiento, es necesario proceder con la limpieza, utilizando agua, jabón o detergentes neutros, aplicados con un paño suave o esponja de nylon. A seguir, solamente con agua corriente, se debe enjuagar e, inmediatamente secar, con un paño suave, evitando la permanencia de humedad en las superficies y principalmente en las grietas.

El enjuague y el secado son extremadamente importantes para evitar el apareamiento de manchas o corrosiones.

IMPORTANTE

Soluciones ácidas, soluciones salinas, desinfectantes y determinadas soluciones esterilizantes (hipocloritos, sales de amoníaco tetravalente, compuestos de iodo, ácido nítrico y otros), deben ser EVITADAS por no poder permanecer mucho tiempo en contacto con el acero inoxidable.

Visto que generalmente poseen CLORO en su composición, tales sustancias atacan el acero inoxidable, causando puntos de corrosión. Mismo los detergentes utilizados en la limpieza doméstica, no deben permanecer en contacto con el acero inoxidable más de lo necesario, debiendo ser también removidos con agua y la superficie deberá ser completamente seca.

Uso de abrasivos:

Esponjas o estropajos de acero y cepillos de acero en general, además de rallar la superficie y comprometer la protección del acero inoxidable, dejan partículas que oxidan y reaccionan, contaminando el acero inoxidable. Por eso, tales productos no deben ser usados en la limpieza e higienización. Raspados hechos con instrumentos puntiagudos o similares también deberán ser evitados.

Principales sustancias que causan la corrosión de los aceros inoxidable:

Polvos, engrases y soluciones ácidas como el vinagre, sucos de frutas u otros ácidos, soluciones salinas (salmuera), sangre, detergentes (excepto los neutros), partículas de aceros, residuos de esponjas o estropajos de acero común, además de otros tipos de abrasivos.

4. Nociones Generales de Seguridad

IMPORTANTE

En el caso de algun item de las NOCIONES GENERALES DE SEGURIDAD no ser aplicable en su producto, por favor desconsiderar el mismo.

Las Nociones Generales de Seguridad fueran elaboradas para orientar y instruir adecuadamente a los operadores de las maquinas y aquellos que serán responsables por su manutención.

La maquina debe ser entregue al usuario en buenas condiciones de uso , y este debe ser orientado cuanto al uso y seguridad de la maquina por el revendedor.

El operador debe usar la maquina solamente después de un completo conocimiento de los cuidados a observar, LEYENDO ATENTAMENTE ESTE MANUAL.

IMPORTANTE

Cualquier cambio en el sistema de seguridad y en las protecciones de seguridad, creará serios riesgos a la integridad física del operador durante la operación.

4.1 Practicas básicas para la Operación

4.1.1 Peligros

Algunas partes de los accionamientos eléctricos presentan puntos o terminales energizados con altos voltajes. Estes, cuando tocados, pueden causar graves choque eléctricos o hasta la MUERTE de una persona.

Nunca toque un comando manual (botón, pulsante, llave eléctrica, etc) con las manos, zapatos o ropas mojadas. No observar esta recomendación podría causar choque eléctrico o hasta la MUERTE.

4.1.2 Advertencias

La posición de la Llave Liga/Desliga, debe ser bien conocida , para que sea posible accionarla a cualquier momento sin tener que procurarla.

Antes de cualquier tipo de manutención, desconecte físicamente la maquina de la red eléctrica.

Arregle espacio suficiente alrededor de la maquina para evitar caídas peligrosas.

Agua y óleo pueden hacer un piso resbaloso y peligroso. Para evitar accidentes el piso debe estar seco y limpio.

Nunca toque en un comando eléctrico casualmente (botón, pulsante, llaves eléctricas o palancas).

Si el trabajo debe ser hecho por dos o más personas , habrá que dar señales de coordinación para cada etapa del trabajo . La etapa siguiente no debe ser comenzada sin que la respectiva señal haya sido dada y respondida.

4.1.3 Avisos

Certifíquese de que las instrucciones deste Manual fueran completamente entendidas.

Cada función o procedimiento de operación y mantenimiento debe estar completamente claro.

El accionamiento de un comando manual (botón , pulsante, llave eléctrica , palanca , etc) debe ser hecho solamente cuando se tenga la certidumbre que es el comando correcto. En caso de falta de energía eléctrica , desligue la llave eléctrica inmediatamente.

Use los óleos lubricantes o grasas recomendadas, o equivalentes.

Evite choques mecánicos pues podrían causar fallas o malo funcionamiento.

Evite que agua, suciedad o polvo entren en los componentes mecánicos o eléctricos de la maquina.

NO ALTERE las características originales de la maquina.

NO SUCIE, TIRE O RETIRE CUALQUIER ETIQUETA DE SEGURIDAD O IDENTIFICACIÓN. Caso alguna esté ilegible o fuera perdida , solicite otra a su proveedor mas próximo.

4.2 Cuidados y Observaciones Antes de Prender la Maquina

IMPORTANTE

Lea atentamente y con cuidado las INSTRUCCIONES contenidas en este Manual antes de ligar la maquina. Certifíquese de que fueran entendidas correctamente todas las informaciones. En caso de duda , consulte su superior o el proveedor.

4.2.1 Peligro

Conductor eléctrico con aislamiento dañado, puede producir una fuga de corriente eléctrica y provocar choques eléctricos. Antes de usarlo verifique sus condiciones.

4.2.2 Avisos

Certifíquese que las INSTRUCCIONES contenidas en este Manual, fueran completamente entendidas . Cada función o procedimiento de operación y mantenimiento debe estar claro. El accionamiento de un comando manual (botón, pulsante, llave eléctrica , palanca , etc) debe ser hecho solamente cuando se tenga la certidumbre de que es el correcto.

4.2.3 Cuidados

El cable de energía eléctrica, responsable por la alimentación de la maquina, debe tener una sección suficiente para soportar la potencia eléctrica consumida.

Los cables eléctricos que se queden sobre el suelo junto de la maquina, deben ser protegidos para evitar corto circuitos.

4.3 Inspección de Rutina

4.3.1 Al verificar la tension de las correas, NO coloque los dedos entre las correas y la polea.

4.3.2 Cuidados

Verifique las partes girantes de la maquina al oír algún ruido anormal.

Verifique las protecciones y los aparatos de seguridad para que siempre estén en perfecto funcionamiento.

Verifique la tensión de las correas y caso presenten desgaste haga su sustitución.

4.4 Operación

4.4.1 Avisos

No trabaje con pelo largo que podría tocar cualquier parte de la maquina , pues podría causar serios accidentes . Atelo para arriba y para atrás , o cubralo con un pañuelo.

Solamente operadores entrenados y calificados pueden operar la maquina.

JAMÁS opere la maquina , sin algún de sus accesorios de seguridad conectado.

4.5 Después de Terminar el Trabajo

4.5.1 Cuidados

Siempre limpie la maquina, para eso **DESLÍGUELA FÍSICAMENTE EL ENCHUFE DE SU SOQUETE.**

Nunca limpie la maquina antes de su **COMPLETA PARADA.**

Después de la limpieza recoleque todos los componentes de la maquina en sus debidos lugares.

Al verificar la tensión de las correas, No coloque los dedos entre las correas y la polea.

4.6 Mantenimiento

4.6.1 Peligros

Con la maquina ligada cualquier manutención es peligrosa . **DESLIGUE LA MAQUINA DE LA RED ELÉCTRICA , DURANTE TODA LA MANUTENCIÓN.**

4.6.2 Avisos

La manutención eléctrica o mecánica debe ser hecha por personas calificadas para hacer el trabajo.

La persona encargada de la manutención debe certificarse que la maquina trabaje siempre en condiciones de total seguridad.

IMPORTANTE

Siempre retire la flecha de su enchufe en casos de emergencia.

4.7 Aviso

El mantenimiento eléctrico o mecánico debe ser hecho por una persona calificada para hacer el trabajo .

La persona encargada por el mantenimiento debe certificarse que la maquina trabaje bajo condiciones **TOTALES DE SEGURIDAD .**

5. Análisis y Soluciones de Problemas

5.1 Problemas, Causas y Soluciones.

Este equipamiento fue proyectado para necesitar el mínimo de mantenimiento. Sin embargo, pueden ocurrir algunas irregularidades en su funcionamiento, debido el desgaste natural causado por su uso.

Cuando haya algún problema con su equipamiento, verifique la página 19, Cuadro 2, donde están descritas algunas probables soluciones recomendadas.

5.2 Ajuste y Sustitución de los componentes

5.2.1 Afilado de discos y cuchillas

El buen afilado de los discos y de las cuchillas, haz con que el equipamiento trabaje con menor esfuerzo y, consecuentemente aumenta la vida útil de sus componentes. Busque un profesional para hacer el afilado correcto.

5.2.2 Caja de engranajes

El Molino de Carnes es un equipamiento que trabaja con caja de reducción lubricada con aceite.

Para asegurar la vida útil del equipamiento por mucho más tiempo, verifique a cada 5.000 horas de uso el nivel del aceite. Para eso, lleve su equipamiento a un servicio técnico especializado.

La cantidad de aceite usado en el Molino de Carnes es de 250ml, siendo recomendado el uso de aceite UNITRON 140 – CASTROL o similar con viscosidad (SAE140, APIGL-4, ANP 1006).

TABLA 02

PROBLEMAS	CAUSAS	SOLUCIONES
-El equipamiento no prende.	-Falta de energía eléctrica. -Engranajes desgastados o rotos. - Problema en el circuito eléctrico interno o externo del equipamiento.	-Verifique si hay corriente eléctrica. -Llame el servicio técnico. -Llame el servicio técnico.
-Olor a quemado y/o humo	-Problema en el circuito eléctrico interno o externo del equipamiento.	-Llame el servicio técnico.
-El equipamiento prende más cuando el producto es colocado en el equipamiento, el mismo para o gira en baja rotación.	-Engranajes desgastados o rotos. -Problemas con el motor eléctrico.	-Llame el servicio técnico. -Llame el servicio técnico.
-Cable eléctrico damnificado.	-Fallo en el transporte del producto.	-Llame el servicio técnico.
-Ruidos raros.	-Rodamientos defectuosos.	-Llame el servicio técnico.
-El alimento procesado sale aplastado.	-Falta uno de los componentes internos de la boca o montaje incorrecto de los mismos. - Discos o cuchillas sin filo de corte.	-Verifique la secuencia de montaje de acuerdo con la (FIG 02). - Llame el servicio técnico.
-El sin fin o gusano de la boca para durante la operación.	-Falta de energía eléctrica. -Problema en el circuito eléctrico interno o externo del equipamiento. -Engranajes desgastados o rotos.	-Verifique si el enchufe está conectado en la toma de corriente y si hay energía en la red eléctrica. - Llame el servicio técnico. - Llame el servicio técnico
-Perdida de aceite en la caja de engranajes.	-Sistema de vedamiento del equipamiento damnificado.	-Llame el servicio técnico.

6. Mantenimiento

El mantenimiento debe ser considerado un conjunto de procedimientos que busca a mantener el equipamiento en las mejores condiciones de funcionamiento, propiciando aumento de la vida útil y de seguridad.

- Limpieza – Verificar el ítem 3.5 Limpieza e Higienización, de éste manual.
- Cables o hilos eléctricos – Verificar todos los cables cuanto a la deterioración y todos los contactos (terminales) eléctricos cuanto al aprieto/ajuste y corrosión.
- Contactos eléctricos – Llave Prender/Desligar, botón de emergencia, botón reset, circuitos electrónicos, etc. Verifique el equipamiento para que todos los componentes estén funcionando correctamente y que la operación del equipamiento sea normal.
- Instalación – Verificar la instalación de su equipamiento conforme ítem 2.1 Instalación, de éste manual.
- Vida útil del producto – 2 años, para un turno normal de trabajo y hechos los mantenimientos sugeridos.

1- Ítems a ser verificados y ejecutados mensualmente:

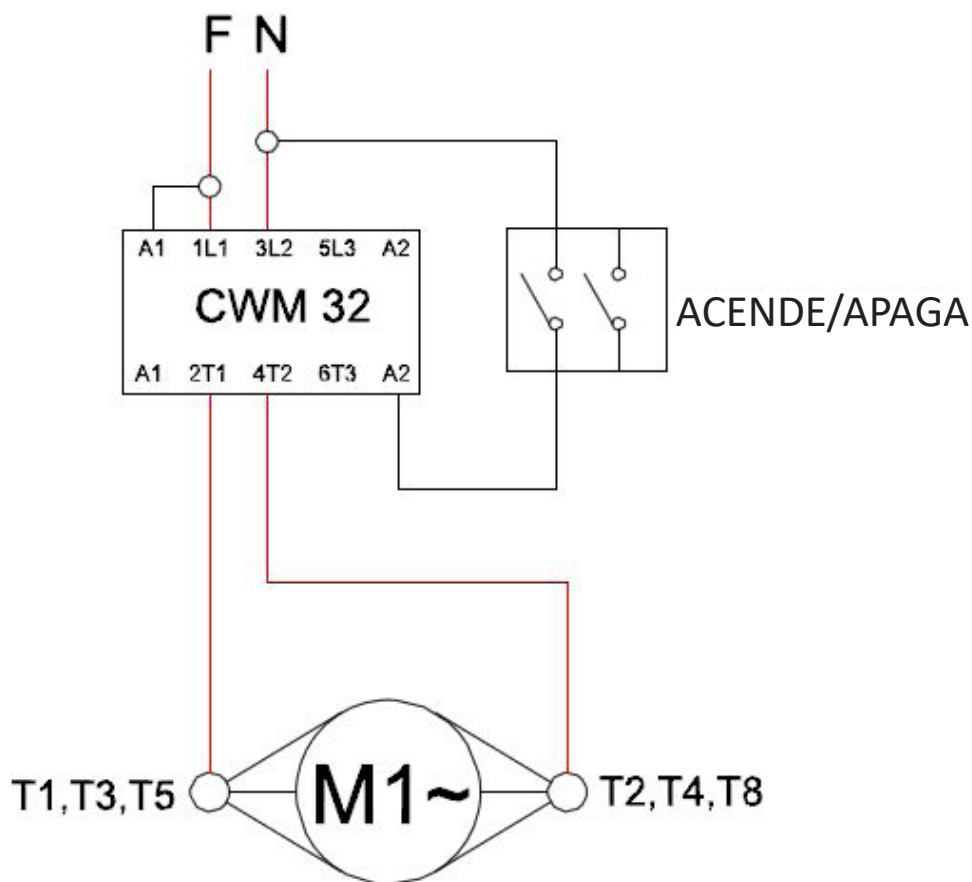
- Verificar la instalación eléctrica;
- Medir la tensión de la toma de corriente;
- Medir la corriente de funcionamiento y comparar con la corriente nominal;
- Verificar el aprieto de todos los terminales eléctricos del equipamiento, para evitar posibles malos contactos;
- Verificar posible juego del eje del motor eléctrico;
- Verificar los cables e hilos eléctricos cuanto a señales de calentamiento excesivo, aislado deficiente o avería mecánica.

2- Ítems a ser verificado o ejecutados a cada 3 meses:

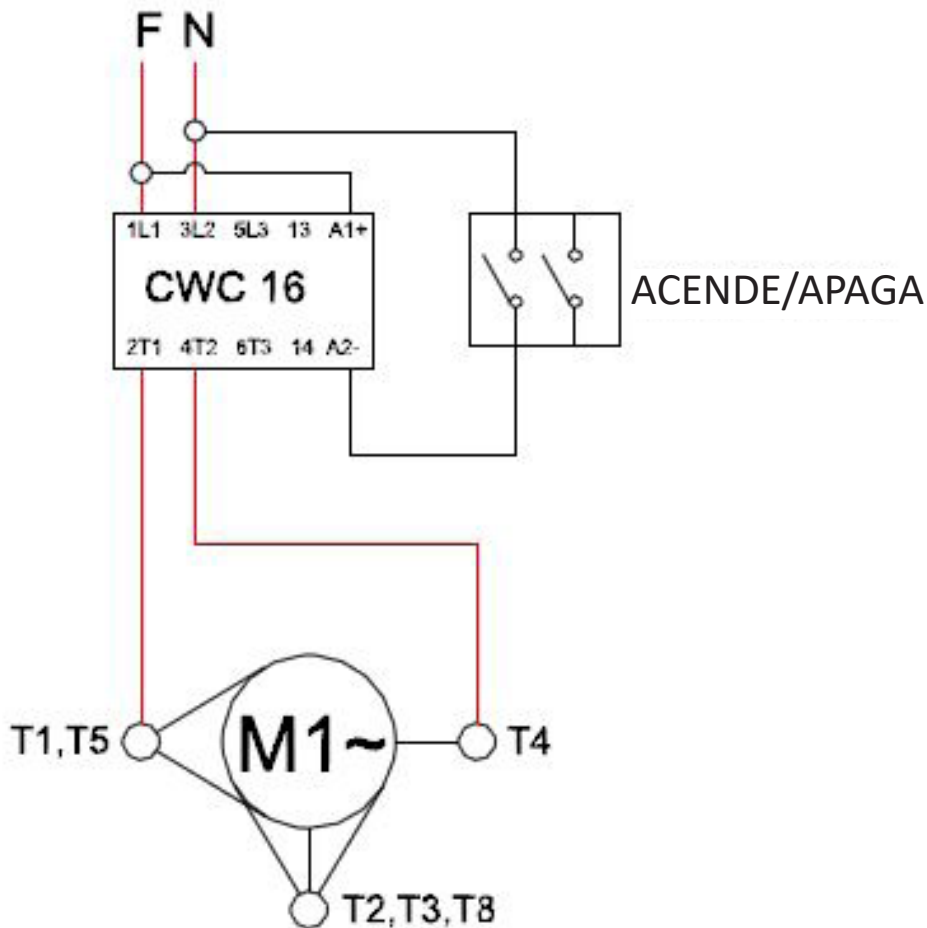
- Verificar componentes eléctricos como llave Prender/Desligar, botón de emergencia, botón reset e circuito electrónicos en cuanto a señales de calentamiento excesivo, aislado deficiente o avería mecánica.
- Verificar posible juego en los mancales y rodamientos.
- Verificar retentores, anillos o rings, anillos v ring's y demás sistemas de vedamiento.

7. Diagramas Electricos

RED ELÉCTRICA
110V / 60Hz

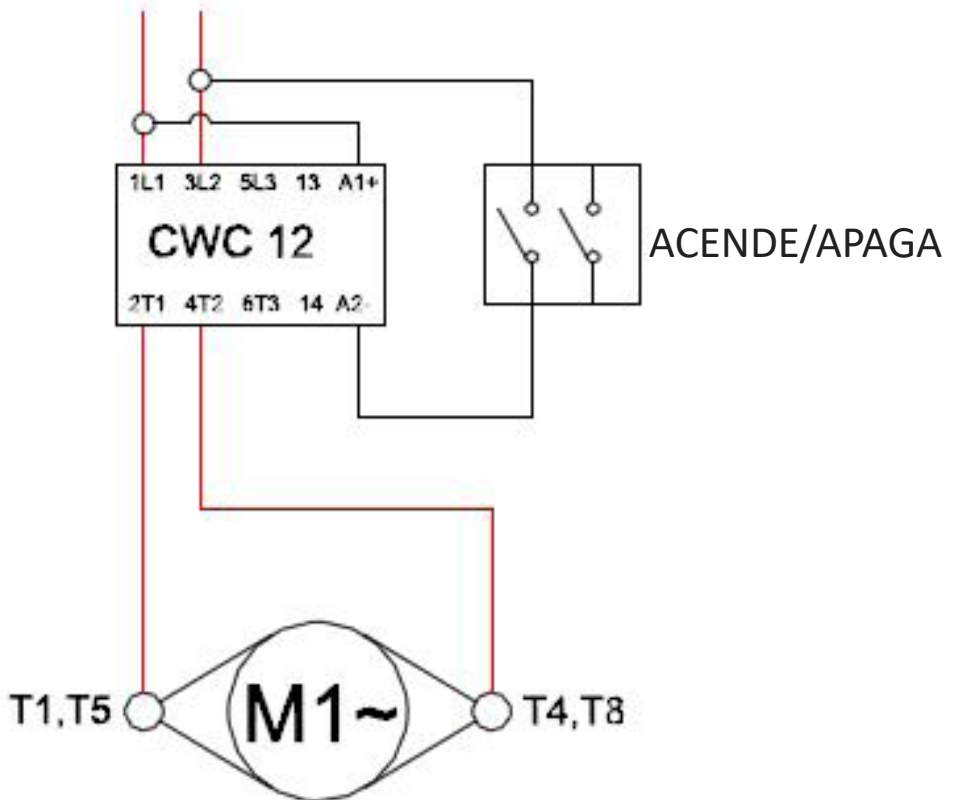


RED ELÉCTRICA
220V / 60Hz

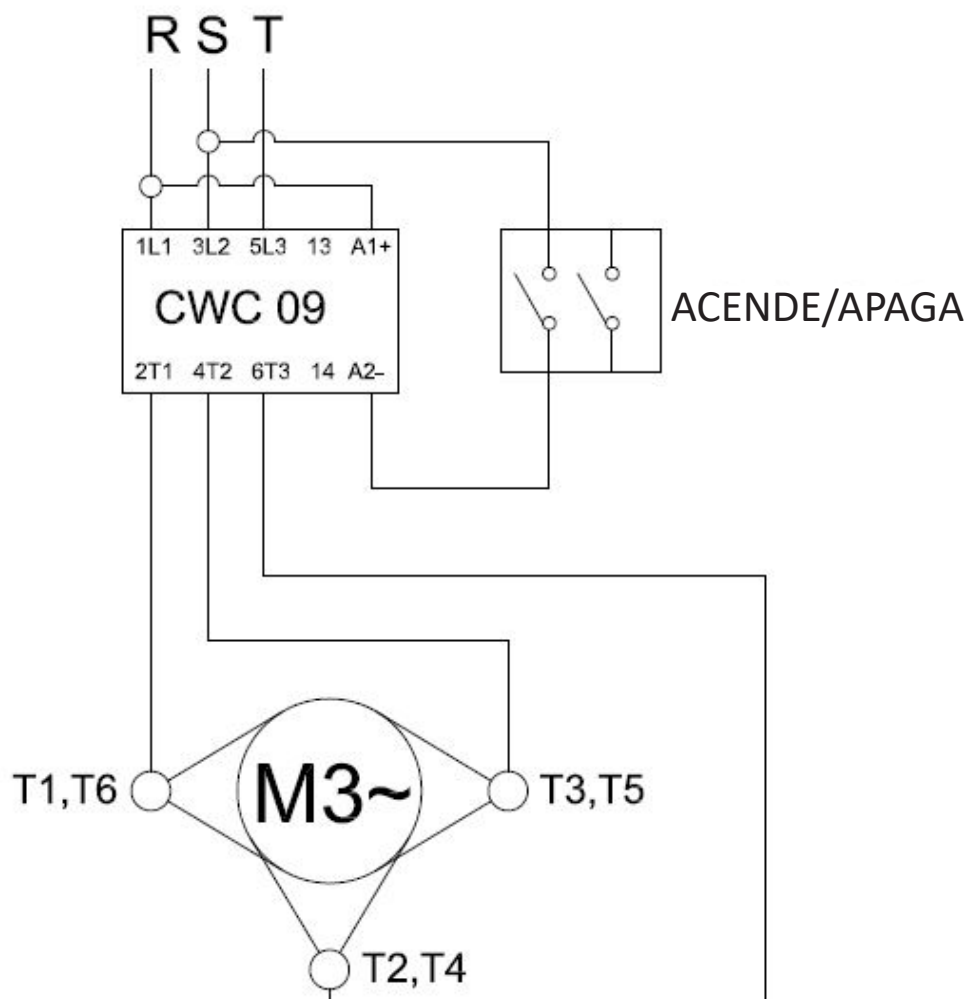


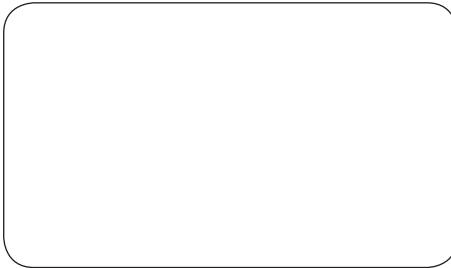
RED ELÉCTRICA
220V / 50Hz

F N



RED ELÉCTRICA
220V / 50Hz





METALÚRGICA SKYMESEN LTDA.
Rodovia Ivo Silveira, 9525 - Volta Grande
88355-202 - Brusque - Santa Catarina
Caixa Postal 52
Fone: +55 47 3211 6000 - Fax: +55 47 3211 6020
www.skymesen.com - comercial@skymesen.com

66729.3 - INGLÊS/ESPENHOL

Data de Revisão: 30/04/2019

WWW.SKYMESEN.COM

-
- Besides this equipment, a complete range of other products are manufactured, consult our dealers.
 - Due to the constant improvements introduced to our equipments, the information contained in the present Instruction Manual may be modified without previous notice.