

# INSTRUCTION MANUAL MANUAL DE INSTRUCCIONES

# Skymesen



HIGH ROTATION BLENDER, STAINLESS STEEL, 1,5 LITERS  
LICUADORA DE ALTA VELOCIDAD, INOXIDABLE, 1,5 LITROS

MODEL/MODELO  
**LI1.5/LT1.5**

67600.4 - INGLÊS/ESPAÑOL  
Data de Revisão: 07/10/2019  
Metalúrgica Skymesen Ltda.  
Rodovia Ivo Silveira 9525  
Volta Grande  
88355-202 Brusque/SC/Brasil  
www.skymesen.com - Fone: +55 47 3211 6000  
CNPJ: 82.983.032/0001-19 - IE 250.064.537

# SUMMARY (ENGLISH)

1. INTRODUCTION .....	2
1.1 Safety .....	2
2 COMPONENTS AND TECHNICAL FEATURES.....	3
3 INSTALLATION AND PRE OPERATION .....	3
3.1 Placement of the equipment.....	3
3.2 Electrical Installation.....	3
3.3 Pre-operation .....	3
4. OPERATION.....	4
4.1 Starting.....	4
4.2 Feeding Procedure.....	4
5. CLEANING.....	5
6. MAINTENANCE .....	5
7. OBSERVED NORMS .....	5
8. PROBLEM SOLVING.....	5
9. ELECTRICAL DIAGRAM .....	6

# INDICE (ESPAÑOL)

1. INTRODUCCIÓN .....	7
1.1 Seguridad .....	7
2 COMPONENTES Y CARACTERÍSTICAS TÉCNICAS.....	7
3 INSTALACIÓN Y PRE OPERACIÓN .....	7
3.1 Posicionamiento .....	8
3.2 Instalación Eléctrica .....	8
3.3 Pre Operación.....	8
4. OPERACIÓN .....	8
4.1 Accionamiento.....	8
4.2 Procedimiento de alimentación .....	8
5. LIMPIEZA .....	9
6. MANTENIMIENTO.....	9
7. NORMAS OBSERVADAS.....	9
8. RESOLUCIÓN DE PROBLEMAS .....	10
9. DIAGRAMA ELÉCTRICO .....	11

## 1. INTRODUCTION

This Equipment was designed to be used in household applications, or similar conditions, we clarify:

- Household Kitchen spaces in offices, store or similar spaces;
- Household kitchens located in farms;
- Gourmet Household Kitchen spaces of residential buildings or private homes.

### 1.1 Safety

The instructions below must be followed to avoid accidents, non-compliance can cause serious injuries:

- 1.1.1** Never use this Equipment with wet clothes or wet feet or on a wet or humid surface, do not immerse it under water, do not place under any kind of water flow or similar, do not use water jets of any kind on the equipment.
- 1.1.2** If the Equipment physically falls down, suffers any kind of damage or has stopped working for any reason, it is necessary to call specialized technical assistance.

**1.1.3** The use of unauthorized accessories that are not recommended by the manufacturer can lead to injuries.

**1.1.4** Never operate the Equipment while wearing clothes with long sleeves, especially on the wrists.

**1.1.3** Make sure that the voltage of Equipment and of the local electrical supply where the unit is going to be used match and are adequate to this kind of equipment. Also make sure that the equipment is properly grounded.

**1.1.4** Be careful with the blade as it has sharp edges when emptying or washing the Cup.

**1.1.5** Always place the Lid #02 (Pic.01) on the cup before to start the machine.

**1.1.6** Always hold the Cup #03 (Pic.01) while the blender is in operation. If the Cup #3 (Pic. 01) gets loose, turn off the equipment immediately.

**1.1.7** When mixing hot liquids remove the Cap #01 (Pic.01) out of the Lid #02 (Pic.01) and keep the hands away from the Lid hole avoiding possible burns.

**1.1.8** Keep hands or any kind of devices, tools, accessories away from the moving parts of the Equipment while it is turning on and processing recipes to avoid potential damages to the Equipment and injuries to the end user.

**1.1.10** Do not use the equipment outdoors.

**1.1.11** Do not expect your blender to replace any other kitchen appliance. It is not supposed to make mashed potatoes, it does not blend egg white or any other cream for covering, it does not grind raw meat, it does not blend hard pastas and does not extract kernels from fruit and vegetables.

**1.1.12** The blender works in seconds and not in minutes. Therefore, never let your blender working for more than one minute. It is better to switch it off and check the mixing consistency after a few seconds to avoid over blending.

**1.1.13** Do not overload the motor with big or heavy portions, once it will decrease the blender's lifespan. If the motor stops, immediately switch it off, unplug and remove part of the load before restarting the operation.

**1.1.14** For your safety the temperature of the product shall not be above 40 degrees centigrade.

**⚠ This Equipment cannot be operated by persons (children included) with reduced mental, sensorial or physical capacities. Unexperienced persons or persons without proper training of knowledge on how the equipment works cannot operate this equipment. Only apt and trained persons or persons under the supervision of an apt and trained supervisor must operate the equipment.**

**⚠ We recommend children to be watched to not allow them to play with the machine.**

**⚠ Always disconnect the Equipment from the power supply when: It is not being used, before realizing any cleaning or maintenance, before you place or take out any accessories, before you realize any kind of procedure or service with the unit.**

**⚠ Do not use the Equipment if there is any damage to the cord or plug. Make sure that the cord does not stay on the edge of a working table, station or furniture and make sure it is not in contact with hot surfaces. If the Cord is not in good conditions of use, to avoid accidents it must be replaced by the supplier, an authorized technician or someone qualified for the service.**

**⚠ If any emergency arises disconnect the Equipment from the power supply, unplug it from the electrical socket**

**⚠ Never spray water directly on to the equipment.**

## 2. COMPONENTS AND TECHNICAL FEATURES

Picture 01



- 01 – Cap
- 02 – Lid
- 03 – Cup
- 04 – Housing
- 05 – ON/OFF/Pulse Switch
- 06 – Feet

FEATURES	UNIT	LI1.5	LT1.5
Maximum Cup Capacity	L	1,5	1,5
Voltage	V	110 or 220	110 or 220
Frequency	Hz	50 ~ 60	50 ~ 60
Height	mm	405	390
Width	mm	210	190
Depth	mm	190	190
Net Weight	kg	2,1	2,1
Gross Weight	kg	2,52	2,52
Power Rating	W	900	900

## 3. INSTALLATION AND PRE-OPERATION

### 3.1 Placement of the equipment

The Equipment must be placed and levelled on top of a firm and dry Surface, preferably with 850mm of height.

### 3.2 Electrical Installation

This Equipment was designed to work in the following voltages and frequencies: 110 or 220 (50 ~ 60Hz). After unpacking the equipment, check the voltage informed on the tag placed at the electrical cord.

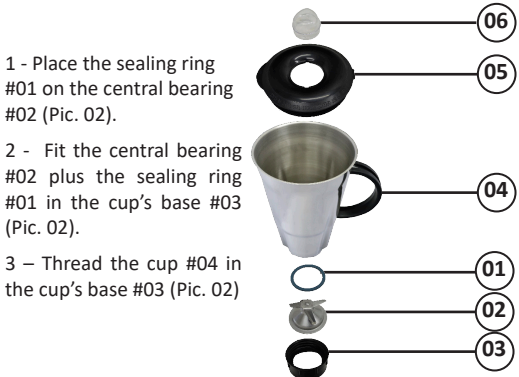
The plug has 2 pins, the central hole is the ground wire. It is mandatory that all pins be connected to the power supply before the equipment is turned on.

### 3.3 Pre-Operation

- Make sure that the equipment is firm and levelled on its working place.
- Before using the equipment, all parts that will get in contact with food must be washed with water and neutral soap.

#### 3.3.1 Procedure to Assemble the Cup

Picture 02



1 - Place the sealing ring #01 on the central bearing #02 (Pic. 02).

2 - Fit the central bearing #02 plus the sealing ring #01 in the cup's base #03 (Pic. 02).

3 - Thread the cup #04 in the cup's base #03 (Pic. 02)

#### 3.3.2 Placing the Cup

The Cup #04 (Pic. 02) has a versatile fitting system allowing an easy, quick and safe placing.

To remove or to place the Cup #03 (Pic.01) just lift it using the handle. Do always use the handle with a firm hold to remove or to place the Cup.

**⚠ Never remove or place the Cup with the equipment switched ON.**

### 3.3.3 Placing the Lid

The Cup has a lid #05 (Pic. 02) made on a non toxic material, providing an efficient sealing during operation. Make sure the Lid is correctly placed on the Cup as may be seen picture 03 below.

Picture 03



### 3.3.4 Placing the Cap

The Cap #06 (Pic.02) may be used to watch the process, and also to add ingredients during operation.

To remove the Cap just turn it clockwise until it gets free then lift it, see picture 04 below.

Picture 04



## 4. OPERATION

### 4.1 Starting

- Place the Plug into the Socket.
- To start the equipment just press the ON/OFF Switch #05 (Pic.01) to the "I" position
- To turn the equipment off just press the ON/OFF Switch #05 (Pic.01) to the "O" position.

### 4.2 Feeding Procedure

Remove the Lid along with its cap.

With the equipment switched OFF place inside the cup first the liquid ingredients of the receipt, then drop the more consistent products.

**⚠️ Cut the product in small pieces approximately 3.5 cm wide, it will help to reduce the blending time particularly with frozen products. When processing ice, it is obligatory to add some water.**

Place the Lid with the Cap in accordance with item 3.3.3 and 3.3.4, then switch the blender ON.

**⚠️ Do not use this blender to process dense products, like the dessert known as "acai cream".**

**⚠️ The blending process time changes from product to product. It is not recommended to blend solid products without adding some liquid, because overheating may occur causing damages to the cup sealing.**

**⚠️ Never switch the Blender ON without load because it will cause irreparable damages.**

### Order for Placing Ingredients in the Blender

To prepare recipes faster and with perfect texture, it's essential to know how to organize the ingredients in the blender. Here is the ideal sequence:

1. Liquids (water, juices, milk, yogurt): Add liquids first. This helps the blades turn easily and prevents solid ingredients from getting stuck at the bottom.
2. Soft Ingredients (chopped fruits, cooked vegetables, leaves): After the liquids, add lighter and softer ingredients like banana or avocado, followed by leaves like spinach or kale, which are easier to blend.
3. Solid Ingredients (frozen fruits, raw vegetables in pieces): Firmer ingredients come next. They will be gradually pulled down and mixed with the already blended ingredients.
4. Heavy Ingredients (ice, nuts, grains): Add ice and heavier ingredients last. They help push the rest towards the blades, facilitating the blending process.
5. Final Adjustments (sweeteners, spices, powders): Add ingredients like honey, sugar, cinnamon, or cocoa last. To make it easier to control the amount and ensure even distribution, these items can be added through the blender's lid while the appliance is running.

Following this order not only ensures a more homogeneous and tasty blend but also helps preserve the blender's lifespan. Placing the ingredients correctly prevents the motor from being overloaded, allowing the blades to turn more easily and efficiently. This way, your equipment works better and lasts longer, guaranteeing perfect results for much longer.

Attention:

- SKYSEN's seamless cup has a "V" shape that grants the formation of a powerful liquid vortex that pulls all ingredients towards the blade to be processed. That leads to a better and more homogenous result, achieved in less time.
- In heavier recipes, such as mayonnaise, açai or cakes, the vortex may close. If that happens it means that the processing is not happening correctly. The ingredients will stop moving at the upper part of the cup, and a vacuum bubble will form on the helix, as shown on Pic. 05, damaging the equipment.
- In those cases it is necessary to adjust the recipe, by diminishing it, or increasing the liquid portion of it allowing the vortex to remain active at all times.

PICTURE 05



## 5. CLEANING

The Equipment must be completely cleaned and sanitized:

- Before using it for the first time;
- Every day before closing the work shift;
- Always when it has not been in use for a long time;
- Before using after it has not been in use for a long time.

Some parts of the equipment may be removed to be cleaned:

- Cup #03 (Pic. 01);
- Lid #02 (Pic. 01);
- Cap #01 (Pic. 01).

Wash all parts with water and neutral soap.

To assemble the parts previously removed, proceed in an inverse sequence to the items informed above.

Use Your **QR Code** Reader to access more information regarding the cares and attention needed when handling stainless Steel.



## 6. MAINTENANCE

It is considered MAINTENANCE the group of actions that aim to offer and grant the perfect working condition of the equipment, enlarging its useful life, and general user safety.

- \* Cleaning – Check item 5 Cleaning of this manual.
- \* Cords – Check if the cords are in good condition, without any damage and if all electrical terminals are in good condition and without oxidation.
- \*Check the ON/OFF Switch, Reset Switch, electronic circuits and make sure that all these components are working correctly and in good condition, and that the use of the equipment is occurring in a normal way, without any inconvenient.
- \* Installation – Check the installation of Your Equipment

as per the item 3 – Installation and Pre Operation of this manual.

\* Useful life of the equipment – 2 years for the use in a normal work shift.

1 - Items to check and execute monthly:

- Check the electrical grid and installation of the work place;
- Measure the amperage intake of the electric power supply;
- Measure the working current and compare it to the nominal current;
- Check the electrical terminal connections of the Equipment to avoid contact failures;
- Check for possible wearing or looseness in the electric motor shaft;
- Check the wires of the electric cords for signs of overheating, damaged insulation or mechanical damage.

2 – Items to check and execute every 3 months:

- Check the ON/OFF button, Reset button, electronic circuits for signs of overheating, damaged insulation or mechanical damage.
- Check for possible looseness in the assemblies and bearings.
- Check the retainers, o’rings, v’rings and other seals.
- Check that all screws and nuts are tight to avoid possible damage to the equipment.

Use your **QR Code Reader** to access more information regarding safety and maintenance.



## 7. OBSERVED NORMS

ABNT NBR NM 60335-1  
IEC 60335-2-14

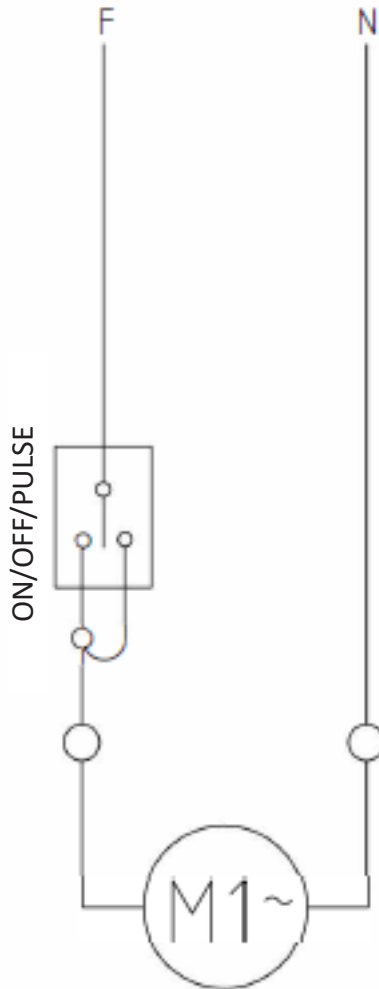
## 8. PROBLEM SOLVING

PROBLEMS	CAUSES	SOLUTIONS
- The equipment does not start.	- Energy Shortage. - Problem with the electric circuit.	- Check energy supply. - Chame a Assistência Técnica Autorizada (ATA).
- Burn smell or smoke.	- Problem with the electric circuit.	- Call Technical Assistance.
- The equipment switches ON but when the product is placed inside the cup the knife stops or turns slowly.	- Problems with the electric motor.	- Call Technical Assistance.
- Damaged cord.	- Problem during transportation.	- Call Technical Assistance.
- Strange noises.	- Damaged bearing.	- Call Technical Assistance.
- The product does not blend.	- Product pieces too large.	- Cut product pieces 3,5cm wide.
- Cup leaking.	- Damaged sealing.	- Call Technical Assistance.

## 9. ELECTRIC DIAGRAM

NOTES: 1 - THE DEFAULT DIRECTION OF ROTATION IS CLOCKWISE.

ELECTRIC NETWORK  
110/220V



## 1. INTRODUCCIÓN

Este equipamiento fue proyectado para ser usado en aplicaciones de uso doméstico o similares que aclaramos:

- Espacio de cocinas en las oficinas, tiendas o ambientes similares;
- Viviendas en las haciendas o fincas;
- Espacios de cocinas en la reparticiones públicas o privadas.
- En espacio gourmet en condominios y viviendas.

### 1.1 Seguridad

Las instrucciones abajo deberán ser seguidas para evitar accidentes, el incumplimiento puede causar lesiones graves:

**1.1.1** Nunca utilice este equipamiento con ropas o pies mojados o en superficie húmeda o mojada, no sumergir el equipo en agua ni bajo el grifo y no utilice manguera de agua a presión sobre el equipamiento.

**1.1.2** Si el equipamiento sufriera una caída, y se dañe de alguna forma o dejó de funcionar es necesario Llamar el servicio técnico especializado.

**1.1.3** La utilización de accesorios no recomendados por el fabricante pueden ocasionar lesiones en el usuario.

**1.1.4** Nunca use ropas con mangas anchas, principalmente cerca de los puños, durante la operación.

**1.1.3** Certifíquese que el voltaje del equipo y de la red eléctrica sea igual, y que el equipo esté aterrado.

**1.1.4** Las cuchillas son muy afiladas, manéjelas con cuidado.

**1.1.5** Siempre ponga la Tapa #02 (Fig.01) sobre el Vaso antes de prender la licuadora.

**1.1.6** Siempre agarre el Vaso #03 (Fig.01) mientras la licuadora esté en operación. Si el vaso #03 (Fig.01) se suelta desligue el equipo de inmediato.

**1.1.7** Cuando se use la licuadora para procesar líquidos calientes se retire la Sobre Tapa #01 (Fig.01) y se quede con las manos lejos del agujero en la Tapa, para evitar posibles quemaduras.

**1.1.8** Nunca toque la cuchilla mientras la licuadora esté en procesamiento.

**1.1.10** No use el equipo al aire libre.

**1.1.11** No se debe esperar que su Licuadora sustituya los artefactos de la cocina. La licuadora no hace puré de papas, no hace claras en punto de nieve o sustitutos para coberturas de cremas. No pica carne cruda ni mezcla masas duras y tampoco extrae pepitas, huesos o semillas de frutas o verduras.

**1.1.12** Esta licuadora realiza los procesos en segundos NO en minutos. Así que el tiempo de los procesos, debe siempre ser inferior a un (01) minuto. Si tienen dudas si la mezcla alcanzó el punto que desean, es mejor apagar la máquina luego de algunos segundos y verificar su consistencia.

**1.1.13** No se debe SOBRECARGAR el motor con porciones muy pesadas o muy grandes, pues de esta forma será disminuida la vida útil de la licuadora. Si el motor parar, apague inmediatamente la máquina, desconectando la enchufe de la toma de corriente y saque un poco de los ingredientes, para entonces volver a prender la Licuadora.

**1.1.14** Para su seguridad la temperatura de los productos procesados no debe ser superior a los 40 grados C.

⚠ Este equipamiento no se destina a la utilización

por personas (inclusive niños) con capacidades físicas, sensoriales o mentales reducidas, o por persona con falta de experiencia y conocimiento, salvo si hubiera recibido la capacitación adecuada o esté bajo la supervisión del encargado por su seguridad.

⚠ Recomendamos que se vigile a los niños para no permitirles jugar con la máquina.

⚠ Desconecte el equipamiento de la red eléctrica cuando: no esté en uso, antes de limpiarlo, al sacar o colocar accesorios, antes del servicio de mantenimiento o antes de cualquier tipo de servicio.

⚠ No use el equipo cuando tenga el cable o el enchufe dañado. No deje que el cable de alimentación se quede en el borde de una mesa, o que toque superficies calientes. Si el enchufe estuviera dañado, sustituya el cable dañado por otro que respete las especificaciones técnicas y de seguridad. Esta sustitución deberá ser hecha por un profesional calificado.

⚠ En caso de emergencia retire el enchufe de la toma de energía eléctrica.

⚠ Nunca use chorros de agua directamente sobre el equipo.

## 2. COMPONENTES Y CARACTERÍSTICAS TÉCNICAS

Figura 01



01 – Sobre Tapa

02 – Tapa

03 – Vaso

04 – Gabinete

05 – Llave Prende/Apaga/Pulsar

06 – Pies

CARACTERÍSTICAS	UNID.	LI1.5	LT1.5
Capacidad Máxima Vaso	L	1,5	1,5
Voltaje	V	110 o 220	110 o 220
Frecuencia	Hz	50 ~ 60	50 ~ 60
Altura	mm	405	390
Ancho	mm	210	190
Profundidad	mm	190	190
Peso Neto	kg	2,1	2,1
Peso Bruto	kg	2,52	2,52
Potencia del Motor	W	900	900

## 3. INSTALACIÓN Y PRE OPERACION

### 3.1 Posicionamiento

Su equipamiento deberá estar posicionado y nivelado arriba de una superficie seca, firme y preferentemente con 850mm de altura.

### 3.2 Instalación Eléctrica

Este equipamiento ha sido desarrollado para trabajar en los voltajes 110 o 220V (50 ~ 60Hz). Cuando recibir el equipamiento, verifique la tensión eléctrica informada en la etiqueta ubicada en el cable eléctrico.

El enchufe del cable de energía posee 2 clavijas y 1 orificio central, que es el aterramiento. Es obligatorio que todas las clavijas estén conectados a la red de energía antes de prender el equipamiento.

### 3.3 Pre Operación

- Verifique si el equipamiento está firme en la mesada.
- Antes de usar su equipo se debe lavar todas las partes que entren en contacto con el producto con agua y jabón neutro.

#### 3.3.1 Procedimientos para montar el vaso Figura 02

1 - Coloque la goma de vedamiento No 01 en el cojinete central #02 (Fig 02).

2 - Encaje el cojinete central #02 y la goma de vedamiento #01 en la base del Vaso #03 (Fig 02).

3 - Rosquee el Vaso #04 en la base del Vaso #03.



#### 3.3.2 Posicionamiento del Vaso

El Vaso #03 (fig 01) posee un sistema simple permitiendo una fácil y segura colocación.

Para remover y recolocar el Vaso basta tirarlo verticalmente para arriba por el asa. Siempre remueva ó recoloque el vaso agarrándolo con firmeza por su asa.

**⚠️ Nunca retire ó coloque el Vaso con la licuadora prendida.**

#### 3.3.3 Colocando la Tapa

El Vaso tiene una tapa #05 (Fig 02) hecha de material atoxico que asegura un eficiente vedamiento durante la operación. Tenga cuidado para que la Tapa esté debidamente colocada sobre el Vaso según la figura abajo:

Figura 03

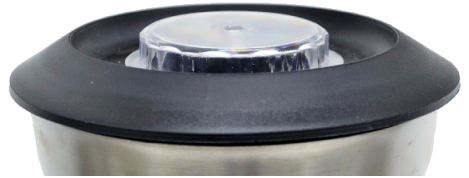


### 3.3.4 Colocando la Sobre Tapa

La Sobre Tapa #06 (Fig.02) puede ser usada sea para observar el procesamiento, sea para añadir ingredientes.

Para retirarla gírela en el sentido horario hasta que se suelte, y después levántela, vea Figura 04

Figura 04



## 4. OPERACIÓN

### 4.1 Accionamiento

Introduzca la enchufe en la toma.

Para prender el equipo presione la llave Prender / Apagar #05 (Fig.01) en la posición "I".

Para apagar el equipo presione la llave Prender / Apagar #05 (Fig.01) en la posición "O".

### 4.2 Procedimiento para operación

Retire del Vaso la Tapa con su Sobre Tapa

Con el equipo apagado coloque en el Vaso primero los productos en estado LIQUIDO de la receta, y en seguida coloque los productos de mayor consistencia.

**⚠️ Corte el producto en pedazos pequeños de aproximadamente 3,5 cm. Este tamaño ayuda reducir el tiempo de proceso principalmente con productos congelados. En el caso de procesar hielo, se recomienda añadir un poco de agua.**

Ponga la Tapa con su Sobre Tapa de acuerdo con las instrucciones de los ítems 3.3.3 y 3.3.4 y prenda la licuadora. **⚠️ No usar la licuadora para procesar alimentos con textura gruesa, como ejemplo "crema de açaí".**

**⚠️ El tiempo de procesamiento es variable de acuerdo con el producto. No se recomienda procesar productos sólidos sin añadir algún líquido pues podría ocurrir un sobrecalentamiento que puede causar daños al sistema de vedamiento del Vaso.**

**⚠️ Nunca prenda el equipo en vacío.**

### Orden para Colocar los Ingredientes en la Licuadora

Para preparar recetas más rápido y con una textura perfecta, es esencial saber cómo organizar los ingredientes en la licuadora. Aquí está la secuencia ideal:

1. Líquidos (agua, jugos, leche, yogur): Coloca los líquidos primero. Esto ayuda a que las cuchillas giren con facilidad y evita que los ingredientes sólidos se queden atascados en el fondo.

2. Ingredientes Suaves (frutas cortadas, verduras cocidas, hojas): Después de los líquidos, añada ingredientes más ligeros y suaves, como plátano o aguacate, seguido de hojas como espinaca o col rizada, que son más fáciles de triturar.

3. Ingredientes Sólidos (frutas congeladas, verduras



crudas en trozos): Los ingredientes más firmes vienen a continuación. Serán arrastrados hacia abajo y mezclados gradualmente con los ingredientes ya batidos.

4. Ingredientes Pesados (hielo, nueces, granos): Coloca el hielo y los ingredientes más pesados al final. Ayudan a empujar el resto hacia las cuchillas, facilitando la mezcla.

5. Ajustes Finales (edulcorantes, especias, polvos): Añade ingredientes como miel, azúcar, canela o cacao al final. Para facilitar el control de la cantidad y garantizar una distribución uniforme, estos elementos se pueden añadir a través de la tapa de la licuadora mientras el aparato está en funcionamiento.

Seguir este orden no solo garantiza una mezcla más homogénea y sabrosa, sino que también ayuda a preservar la vida útil de la licuadora. Colocar los ingredientes correctamente evita que el motor se sobrecargue, permitiendo que las cuchillas giren con más facilidad y eficiencia. De esta manera, tu equipo trabaja mejor y dura más, garantizando resultados perfectos por mucho más tiempo.

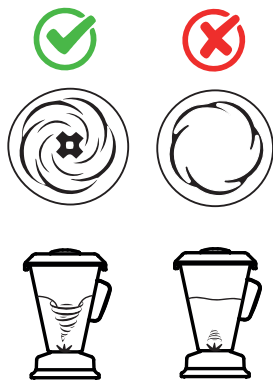
Atención:

- El vaso monobloque de inoxidable Skymesen posee diseño en V para asegurar la formación de un vórtice (remolinos) que direcciona el alimento hacia las cuchillas, triturando homogéneamente, con mejores resultados y menores tiempos de preparación.

- En recetas más pesadas, como la pasta de açaí, mayonesa, cremas muy densas, el vórtice puede cerrar y no procesará la receta, como lo vemos en la Fig.05, ocasionando daños al equipamiento.

En dichos casos y alimentos específicos, es necesario reducir la receta o aumentar la cantidad de líquido, pues siempre es necesario que haga el vórtice durante todo el tiempo de procesamiento de la receta.

FIGURA 05



## 5. LIMPIEZA

El equipo debe ser totalmente limpio y higienizado:

- Antes de ser usado por primera vez;
- Después de un día de operación;
- Siempre que no venga a ser usado por un largo periodo
- Antes de ponerlo en operación después de un largo

periodo de inactividad.

Algunas partes del equipo pueden ser retiradas para limpieza:

- Vaso #03 (Fig.01);
- Tapa #02 (Fig.01);
- Sobre Tapa #01 (Fig.01).

Lave todas las partes con agua y jabón neutro.

Para montar as partes anteriormente removidas, proceda de manera inversa a sequéncia dos itens citados acima.

Pase el lector de QR Code para obtener informaciones sobre cuidados con los aceros inoxidables.



## 6. MANTENIMIENTO

El Mantenimiento debe ser considerado como un conjunto de procedimientos para ofrecer perfecta condición de funcionamiento del equipamiento, aumentando la vida útil y seguridad de uso del mismo.

- \*Limpieza – Verificar item 5 Limpieza de este manual.
  - \*Cables – Controlar si los cables están en buen estado, sin ningún daño y si todos los terminales eléctricos están bien y sin oxidación.
  - \*Verifique Llave ON/OFF, Llave reset, circuitos electrónicos, para que todos estos componentes estén funcionando correctamente y que el uso del equipo sea regular sin inconvenientes.
  - \*Instalación – Verifique la instalación de su equipamientos el item 2 Instalación y Pre Operación de este manual.
  - \*Vida útil del producto – 2 años, considerando el uso en un turno normal de trabajo.
- 1 - Itens a verificar y ejecutar mensualmente:

- Verificar la instalación eléctrica del local;
  - Medir a tensión de la toma de corriente eléctrica;
  - Medir la corriente de funcionamiento y comparar con la corriente nominal;
  - Verificar las conexiones de los terminales eléctricos del equipamiento para evitar posibles fallos de contacto;
  - Verificar posible desgaste o juego en el eje del motor eléctrico;
- Verificar los hilos de los cables eléctricos en cuanto a señales de sobrecalentamiento, aislamiento dañado o avería mecánica.

- Itens a verificar y ejecutar a cada 3 meses:

- Verificar las partes eléctricas como Llave ON/OFF, botón de emergencia, tecla reset y circuitos electrónicos cuanto a señales de sobrecalentamiento, aislamiento dañado o avería mecánica.
- Verificar posible juego en los cojinetes y rodamientos.
- Verificar retenes, o´rings, v´rings y otros sellos.
- Verifique el apriete de todos los tornillos y tuercas para evitar posibles daños al equipo.

Pase el lector de QR Code para obtener informaciones sobre seguridad y mantenimiento.



## 7. NORMAS OBSERVADAS

ABNT NBR NM 60335-1  
IEC 60335-2-14

## 8. RESOLUCIÓN DE PROBLEMAS

PROBLEMAS	CAUSAS	SOLUCIONES
- El equipo no prende.	- Falta de energía eléctrica. - Problemas con el circuito eléctrico.	- Controle la red eléctrica. - Llame el servicio técnico.
- Olor a quemado ó humo.	- Problema con el circuito eléctrico.	- Llame el servicio técnico.
- El equipo se prende pero cuando el producto es colocado en el vaso, el equipo para o gira en baja rotación.	- Problema con el motor eléctrico.	- Llame el servicio técnico.
- Cable de alimentación damnificado.	- Falla en el transporte.	- Llame el servicio técnico.
- Ruidos anormales.	- Rodamiento dañado.	- Llame el servicio técnico.
- El producto no se licua.	- Trozos muy grandes no permiten el contacto con la cuchilla. - Cuchilla sin filo.	- Corte el producto en trozos menores de 3,5 cm. - Llame el servicio técnico.
- Vaciamiento del vaso.	- Problema con el sistema de vedamiento.	- Llame el servicio técnico.

## 9. DIAGRAMA ELÉCTRICO

NOTAS: 1 - EL SENTIDO ESTANDÁR DE ROTACIÓN ES EL SENTIDO DE LAS AGUJAS DEL RELOJ.

REDE ELÉCTRICA  
110/220V

