

INSTRUCTIONS MANUAL MANUAL DE INSTRUCCIONES



FOOD PROCESSOR, WITH 6 DISCS DIAMETER 429 mm
PROCESADORA DE ALIMENTOS, CON 6 DISCOS DIAMETRO 429 mm

MODEL/MODELO
PA-14-N

692790 - INGLÊS/ESPAHOL
Data de Revisão: 16/08/2024
Metalúrgica Skymesen Ltda.

Rodovia Ivo Silveira 9525
Volta Grande

88355-202 Brusque/SC/Brasil

www.skymesen.com - Fone: +55 47 3211 6000

CNPJ: 82.983.032/0001-19 - IE 250.064.537

SUMMARY

1. INTRODUCTION	2
1.1 Safety	2
2. COMPONENTS AND TECHNICAL CHARACTERISTICS	3
3. INSTALLATION AND PRE-OPERATION.....	3
3.1 Positioning.....	4
3.2 Electrical Installation.....	4
3.3 Pre Operation	4
4. OPERATION.....	5
4.1 Starting.....	5
4.2 Operational Procedures	5
5. CLEANING	5
6. MAINTENANCE	5
7. PROBLEM SOLVING	6
8. ELECTRICAL DIAGRAM	7

1. INTRODUCTION

1.1 Safety

This appliance is potentially DANGEROUS, when incorrectly used. It is necessary to perform maintenances, cleaning and/or any servisse by qualified personnel and with the equipment disconnected from the power grid.

The instructions below must be followed to avoid accidents:

1.1.1 Read all the instructions.

1.1.2 To avoid the risk of eletric shock and damages to the appliance, never use it with: wet clothes and feet ou on a wet surface, don't patch it in water or any other liquido or não mergulhe em água ou qualquer outro líquido e não utilize jato de água diretwaterjet direct to the appliance.

1.1.3 Any appliance utilization must always be supervised, mainly when it is being used near children.

1.1.4 Disconnect the appliance from the power grid when, it's not being used, before cleaning it, removing the accessories, accessories introduction, maintenance or any other service.

1.1.5 Don't use the equipment if the cable or plug is damaged. Make sure that the power cable isn't on the edge

of the table/counter or that it touches hot surfaces..

1.1.6 When the appliance falls, it is in any way damaged or doesn't work, it is necessary to take it to an Authorized Technical Assistance for a repair or technical review or electrical or mechanical setting

1.1.7 The usage of non-authorized accessories that are not recommended by the manufacturer may cause injuries.

1.1.8 Keep your hands and any utensil far from the parts in movement of the appliance while in operation to avoid body injuries or damage to the appliance.

1.1.9 Make sure that the electrical tension of the appliance and the power grid are the same and that the appliance is connected to the grounding grid.

1.1.10 Before turning on your appliance, check if the Shereding Disc N. 1(Pict. 03) and the lid cabinet N. 05(Pict. 03) are in their correct positions.

1.1.11 Never place the fingers or any objects that aren't the Pusher Socket N. 04(Pict. 01) in the appliance Feeding Nozzle.

1.1.12 Only open the Lid Cabinet N. 02 (Pict. 01) if you're sure the Shereding Disc is completly stopped N. 01 (Pict. 03).

1.1.13 Never put your fingers or any objects in the processed products output. Always keep the hands far from the moving parts.

1.1.14 This product was developed to be used in commercial kitchens. It is used, for example, in restaurants, cafeterias, hospitals, bakeries, etc.

This appliance usage is not recommended when:

- The production process should be done in a continuous way in industrial scale;

- The workplace is in an atmosphere of corrosive, explosive, with dust or gas.

⚠ Make sure the cord is in perfect working conditions, if not, change it for one in accordance to the local safety standards. Such change shall be made by qualified professional following the local safety standards.

⚠ This equipment shall not be used by children or any person with reduced physical or mental capacity, lack of experience or knowledge, unless they are under supervision or have received from the person responsible for safety, proper instructions on how to use the equipment.

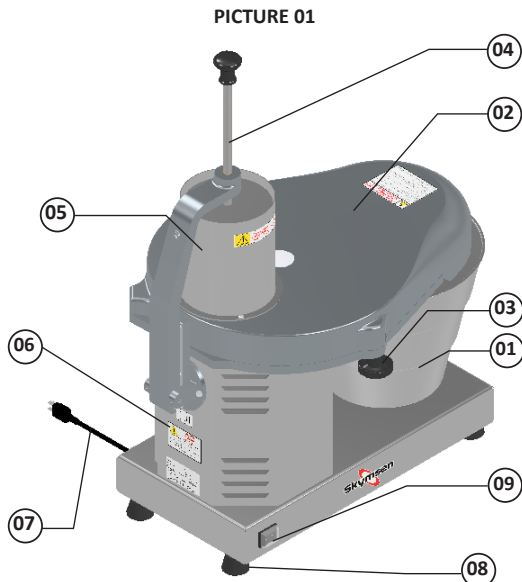
⚠ Keep this equipment out of the reach of children.

⚠ In case of emergency, unplug the appliance from wall electrical outlet immediately.

⚠ Never wash the appliance with direct intense water jets.

2. COMPONENTS AND TECHNICAL CHARACTERISTICS

All the components that are part of this appliance are built with highly selected materials for each purpose, according to standard tests and with Skymen experience.



- 01 – Collector Cup
- 02 – Cabinet Discs Lid
- 03 – Fixing Maniple of Cabinet Discs Lid
- 04 – Pusher Socket
- 05 – Feeding Nozzle
- 06 – Cabinet
- 07 – Feeding Cable
- 08 – Feet
- 09 – ON/OFF Switch

CHART 01

CHARACTERISTICS	UNITY	PA-14-N	PA-14-N
Average Production	kg/h	Variable	Variable
Tension	V	110 ou 220	220
Frequency	Hz	60	50
Potence	CV	1	1
Height	mm	700	700
Width	mm	530	530
Depth	mm	660	660
Net weight	kg	71,5	71,5
Gross weight	kg	99	99

2.1 Available Discs

The Food Processor is benchtop equipment is capable of making all kinds of cuts, as: sliced, shereded and minced. It can also process a big variety of vegetables, keeping its nutritive propoerties, color and juice, besides avoid waste.

In Chart 02, the available discs are mentioned as well as the cut dimensions and their codes.

CHART 02

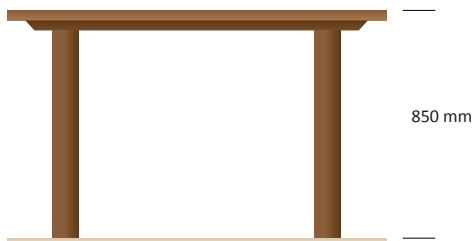
INCLUDED DISCS IN THE EQUIPMENT	
DESCRIPTION	CODE
SLICING DISC - 1,5 mm	51006.8
SLICING DISC - 3 mm	51007.6
SHEREDING DISC - 3 mm	51009.2
SHEREDING DISC - 5 mm	51010.6
SHEREDING DISC - 8 mm	51011.4
MINCING DISC	51012.2

3. INSTALATION AND PRE-OPERATION

3.1 Positioning

Your appliance must be installed in an aligned, non-slip, stable surface with 850 mm of height.

PICTURE 02



3.2 Electrical Installation

This equipment was developed to 110 V 60 Hz, 220 V 60 Hz or 220 V 50 Hz. When you receive the equipment check tension printed in the tag on the electric cable.

The feeding cable has 3 pins, and the central pin is intended to the grounding. It's mandatory that the three points are connected before starting the appliance.

⚠ Make sure the power grid where the appliance is installed is compatible to the tension is compatible with the tension indicated in tag in the feeding cable.

3.3 Pre-Operation

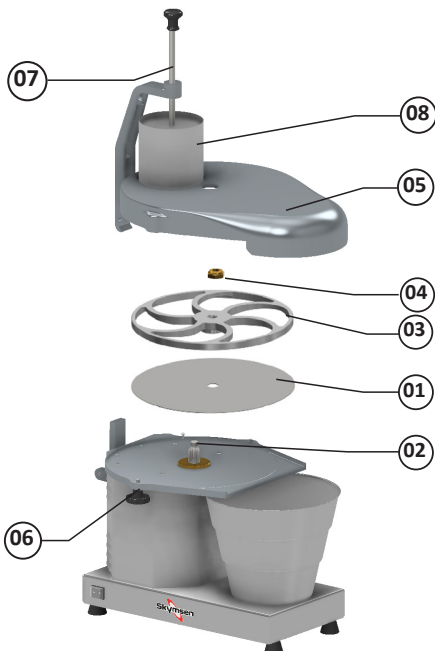
⚠ Before putting the Cabinet Discs Lid, check if the disc is well fit, avoiding damages to the equipment.

To start, check if the Food Processor is well positioned. Before using it, wash it with soap and water, the parts that are in contact with product that will be processed. (Read item 3.3 Cleaning)

3.3.1 Procedure to Discs Assembling

- 1 – Fit the Expelling plate N. 01 (Picture 03) in the Hub N. 02 (Picture 03);
- 2 – Select the desired disc (Nº 03 Fig. 03) and fit the hub N. 02 (Picture 03);
- 3 – Tighten the nut N. 04 (Picture 03) in Hub N 02 (Picture 03);
- 4 – Fit the Discs Cabinet N. 05 (Picture 03);
- 5 – Push the Cabinet fasteners N. 06 (Picture 03);
- 6 – Align the Pushing Socket N. 07 (Picture 03) in a Round Nozzle N. 08 (Picture 03);

PICTURE 03



4. OPERATION

4.1 Turning of the appliance

To turn on your appliance you should follow the directions below:

- 1 – Make sure the Discs Cabinet Lid (Pict. 04) is closed and locked. If it is not, tighten the knob No. 02 (Picture 04).
- 2 – Press the Switch on/off No. 03 (Picture 04) to the “I” position for the appliance to turn on.

PICTURE 04



⚠ The Expelling Plate (Picture 03) must always be used regardless of the Shreding Disc No. 03 (Picture 03) being used. Before opening the Cabinet Lid No.05(Picture 03) make sure the Shreding Disc No. 03 (Picture 02) is completely stopped.

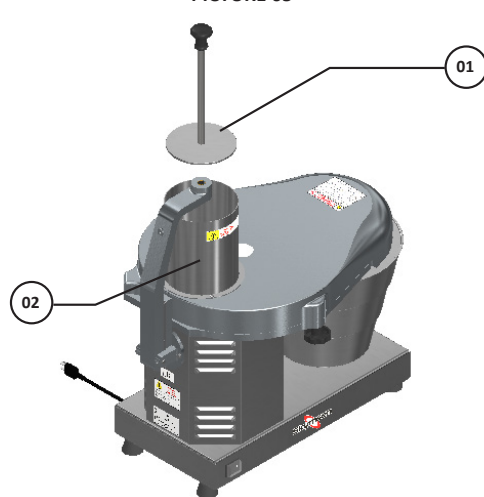
4.2 Operation Procedures

The Food Processor is an appliance that works continuously and because of that, it needs the feeding to be continuously the same. This appliance was designed to work in two different ways:

Procedure to the Operation:

For this procedure, move the Pushing Socket away No 01 (Picture 05) and put the product to be processed inside the Round Nozzle No. 02 (Picture 05). After that, put the Pushing Socket on the Round Nozzle No. 01 and slightly push the product down.

PICTURE 05



⚠ Under no circumstance use the instruments to push the product being processed into the Discs Chamber or the hands. Always use the socket, mentioned above, to process this operation.

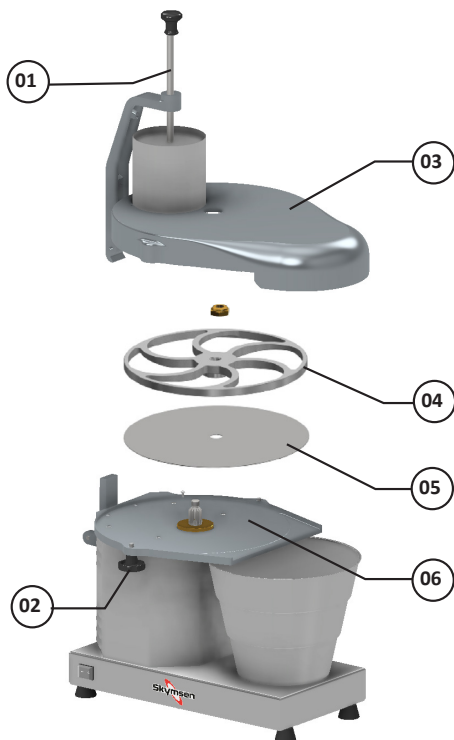
5. CLEANING

All the moving parts must be removed and cleaned. We will describe the procedure that must be followed to remove the moving parts:

5.1.1 Disassembling Procedure

- 1 – Turn off the appliance and disconnect it from the Feeding Cabinet from the power grid;
- 2 – Move the pushing socket away No. 01 (Picture. 06);
- 3 – Loose the Discs Chamber Fasteners No. 02 (Picture 06);
- 4 – Remove the Discs Chamber Lid No. 03 (Picture 06)
- 5 – Remove the Disc No. 04 (Picture 06)
- 6 – Remove the Expelling Plate No. 05 (Picture 06)

PICTURE 06



⚠ Never clean if the appliance is turned on to the power grid, for that you should remove the plug from the outlet. Before removing the Discs chamber, make sure it's completely stopped.

⚠ Wash all the moving parts with hot water and soap, use a wet cloth on Cabinet no. 06 (Picture 01) and in the Discs Chamber No. 06 (Picture 01).

⚠ When washing the discs, be careful with the blades. Do not lean any objects against them to avoid damages.

Use Your QR Code Reader to access more information regarding the cares needed when handling stainless Steel.



6. MAINTENANCE

It is considered MAINTENANCE the group of actions that aim to offer and grant the perfect working condition of the equipment, enlarging its useful life, and general user safety.

- * Cleaning – Check item 5 Cleaning of this manual.
- * Cords – Check if the cords are in good condition, without any damage and if all electrical terminals are in good condition and without oxidation.
- *Contacts – Check the ON/OFF button, Reset button, electronic circuits and make sure that all these components are working correctly and in good condition, and that the use of the equipment is occurring in a normal way, without any inconvenient.

* Installation – Check the installation of Your Equipment as per the item

2 – Installation and Pre Operation of this manual.

- Items to check and execute monthly:

- Check the electrical grid;
- Measure the amperage intake of the electric power supply;
- Measure the working current and compare it to the nominal current;
- Check the electrical terminal connections of the Equipment to avoid contact failures;
- Check for possible wearing or looseness in the electric motor shaft;

- 2 – Items to check and execute every 3 months:

- Check the ON/OFF button, Reset button, electronic circuits for signs of overheating, damaged insulation or mechanical damage.
- Check for possible looseness in the assemblies and bearings
- Check the retainers, o'ings, v'rings and other seals

Use Your QR Code Reader to access more information regarding safety and maintenance.



7. PROBLEM SOLVING

The appliances were designed to operate with the need of minimum maintenance but the natural wearing caused by longer use of the equipment may occasionally cause some malfunctions.

If any problem occurs with your equipment, the most common situations are listed below with recommended solutions.

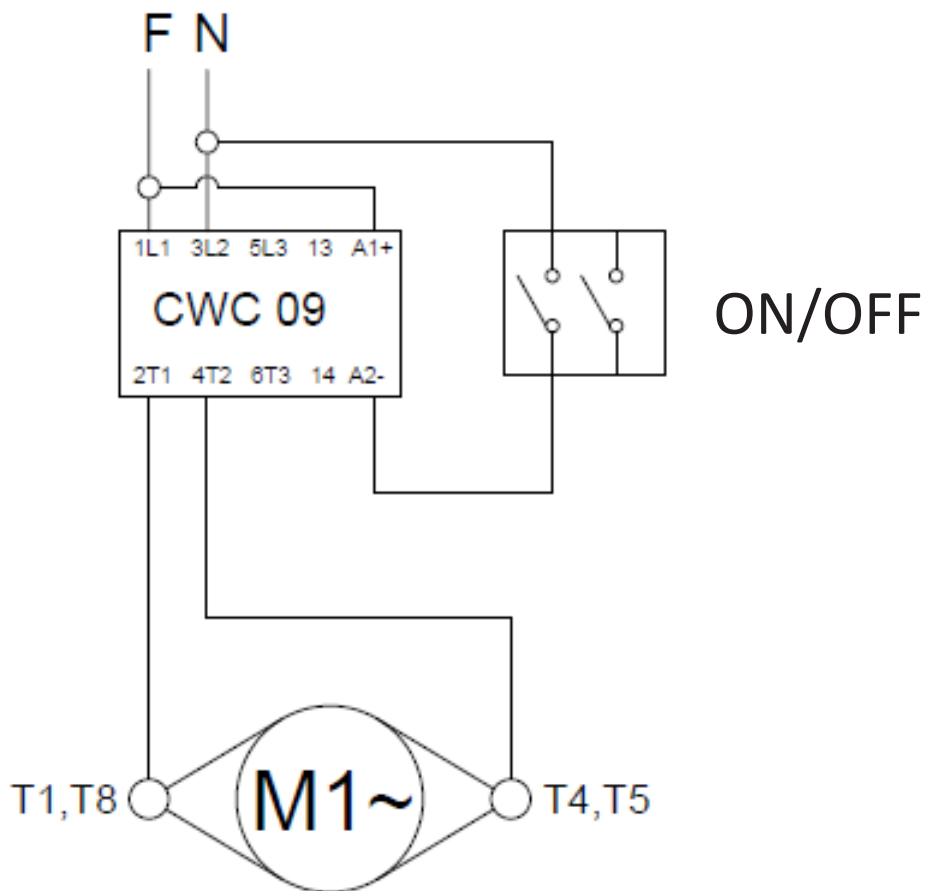
Besides that, Skymesen has Authorized Technical Assistants who are happy to help.

The List of Authorized Technical Assistants can be checked in the website www.skymesen.com

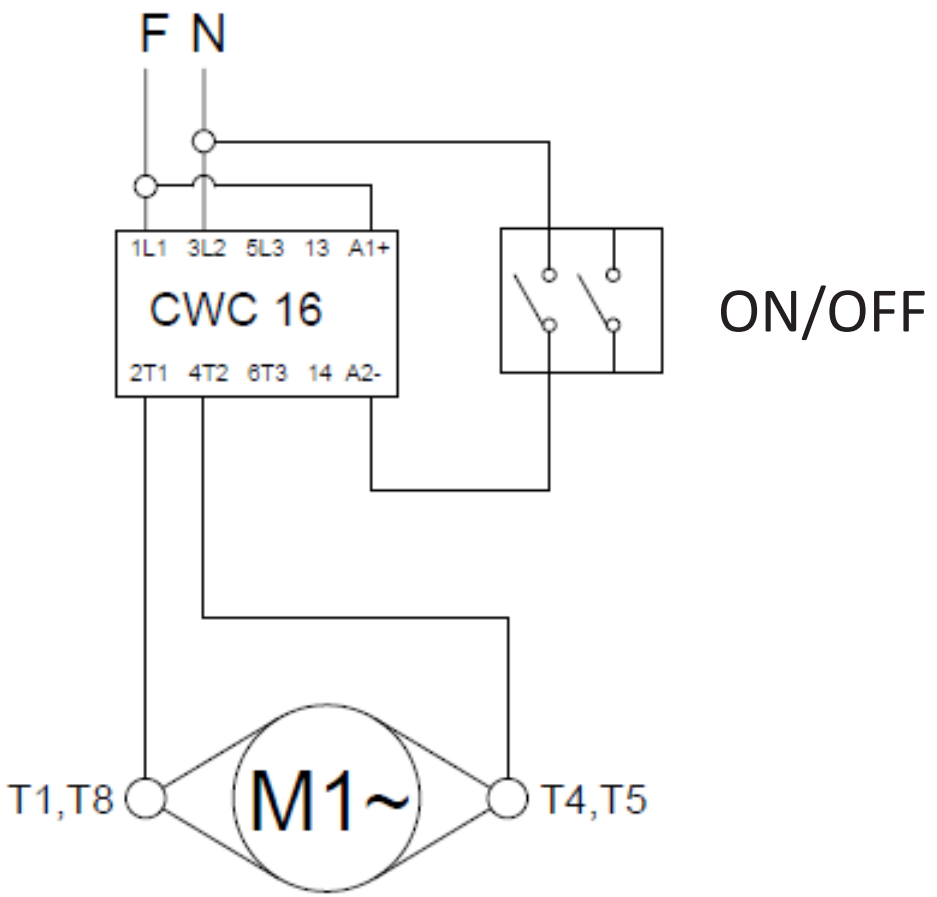
CHART 03

PROBLEMS	CAUSES	SOLUTIONS
- Irregular Cut	- The blade has lost the cutting line.	- Sharpen the blades.
- The product that was sliced is stuck inside the appliance.	- Lack of the Expelling Plate.	- Assemble the Expelling Plate.
- The appliance doesn't turn on	- Problems with the internal or external electrical circuit from the appliance. -Lack of energy.	- Call The Authorized Technicians - Check if there is electricity.
- Cheiro de queimado e/ou fumaça.	- Problem in the internal or external electric circuit of the appliance.	- Call the Authorized Technical Assistance.
- The appliance turns on, but when the product is put in the machine, it stops or Works with low rotation.	- Belt slipping. - Lack of electric energy. - Problems with the Motor.	- Adjusts the tension of the belts. - Check if the plug is connected to the outlet; - Call the Authorized Technical Assistance
- Damaged electrical cable.	- Problems with the transportation of the appliance.	- Call the Authorized Technical Assistance

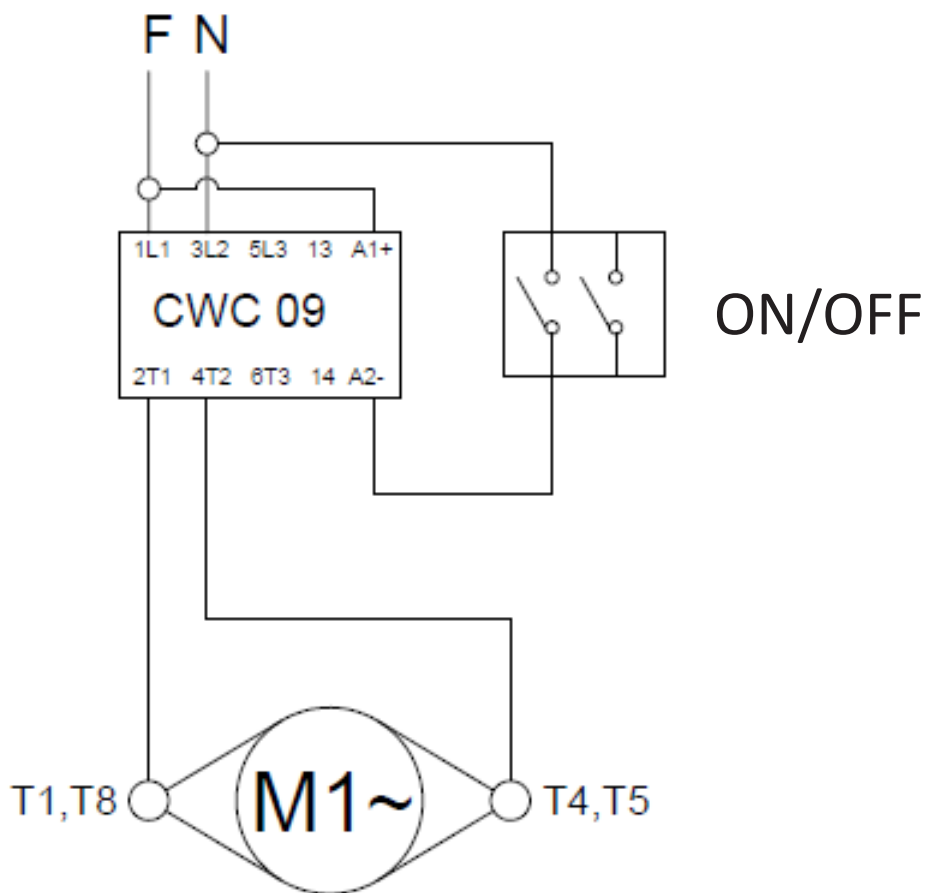
VOLTAGE
220V / 50Hz



VOLTAGE
110V / 60Hz



VOLTAGE
220V / 60Hz



INDICE

1. INTRODUCCIÓN.....	10
1.1 Seguridad	10
2. COMPONENTS Y CARACTERÍSTICAS	
TÉCNICAS	11
3. INSTALACIÓN Y PRÉ-OPERACIÓN. 11	
3.1 Posicionamiento	12
3.2 Instalación Eléctrica	12
3.3 Pré Operación.....	12
4. OPERACIÓN	13
4.1 Accionamiento.....	13
4.2 Procedimiento para Operación	13
5. LIMPIEZA	14
6. MANUTENCIÓN	14
7. RESOLUCIÓN DE PROBLEMAS	15
8. DIAGRAMA ELECTRICO	16

1. INTRODUCCIÓN

1.1 Seguridad

Este artefacto es potencialmente PELIGROSO cuando se utiliza incorrectamente. Es necesario que la manutención, limpieza y/o cualquier servicio, sea realizado por una persona calificada y con el equipamiento desconectado de la red eléctrica.

Las instrucciones a continuación deberán ser seguidas para evitar accidentes:

1.1.1 Lea todas las instrucciones.

1.1.2 Para evitar el riesgo de descarga eléctrica y daños al artefacto, nunca lo utilice con: ropas o pies mojados e/o en superficies húmeda o mojadas; no sumerja en agua o en cualquier otro líquido y no utilice chorro de agua directamente en el equipamiento.

1.1.3 El uso de cualquier equipamiento debe ser siempre supervisado, principalmente cuando se utilice próximo de niños.

1.1.4 Desenchufe el artefacto de la red eléctrica cuando: no esté en uso, antes de limpiarlo, inserción o extracción de accesorios, manutención y cualquier otro tipo de servicio

1.1.5 No haga funcionar nunca el aparato con el enchufe o el cable dañado. No permita que el cable sobrante cuelgue sobre el borde de la mesada o que toque superficies calientes.

1.1.6 Cuando el aparato sufra una caída, esté dañado de alguna manera o no funcione, es necesario llevarlo hasta una Asistencia Técnica Autorizada para inspección, arreglo, ajuste mecánico o eléctrico.

1.1.7 La utilización de accesorios no recomendados por el fabricante, puede ocasionar lesiones corporales.

1.1.8 Mantenga las manos y cualquier utensilio alejado de las partes en movimiento del aparato mientras está en funcionamiento para evitar lesiones corporales o daños al equipamiento.

1.1.9 Antes de enchufar, verifique que el voltaje del artefacto corresponda con el de la instalación eléctrica y que el aparato esté correctamente conectado al cable a tierra.

1.1.10 Antes de encender el artefacto, verifique que el Disco de Corte N°01 (Fig.03) y la Tapa del recipiente N° 05 (Fig.03) estén firmemente colocadas.

1.1.11 Nunca introduzca los dedos o cualquier otro utensilio para empujar ingredientes. Utilice sólo el empujador N° 04 (Fig.01) en el Vertedor de Alimentos del artefacto.

1.1.12 Nunca abra la Tapa del recipiente N°02 (Fig.01) antes de certificarse de la parada completa del Disco de Corte N°01 (Fig.03).

1.1.13 Nunca introduzca los dedos ni utensilios en la salida de productos procesados. Mantenga siempre las manos alejadas de las partes removibles.

1.1.14 Este producto fue diseñado para el uso en cocinas comerciales. Se utiliza, por ejemplo, en carnicerías, cantinas, hospitales, restaurantes y similares.

La utilización de este equipamiento no es recomendada cuando:

- El proceso de producción sea de forma continua en escala industrial.
- El local de trabajo sea un ambiente con atmósfera corrosiva, explosiva, contaminada con vapor, polvo o gas.

⚠ Asegúrese que el cable de alimentación esté en perfectas condiciones de uso. Si no lo está, reemplácelo por otro que atienda a las especificaciones técnicas y de seguridad. Este reemplazo deberá ser realizado por un profesional calificado atendiendo las normas de seguridad local.

⚠ Este aparato no es apto para ser utilizado por niños ni personas con discapacidad física, sensorial o psíquica, o que carezcan de la experiencia y los conocimientos necesarios; excepto cuando lo hagan bajo la supervisión de una persona responsable de su seguridad o que hayan sido instruidos en el manejo.

⚠ Mantenga el aparato fuera del alcance de los niños.

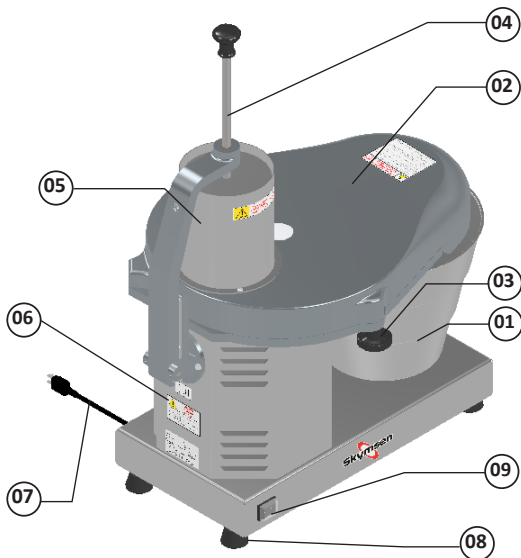
⚠ En caso de emergencia, retire el enchufe del tomacorriente.

⚠ Nunca utilice jatos d'água diretamente sobre o equipamento.

2. COMPONENTS Y CARACTERÍSTICAS TÉCNICAS

Todos los componentes que integran el equipamiento son fabricados con materiales criteriosamente seleccionados para cada función, dentro de los estándares de test y de la experiencia Skymen

FIGURA 01



- | | |
|---|--------------------------------------|
| 01 – Recipiente colector | 05 – Vertedor de alimentos |
| 02 – Tapa de la Cámara de Discos | 06 – Gabinete |
| 03 – Mango de fijación de la Cámara de Discos | 07 – Cable de energía |
| 04 – Empujador | 08 – Pies |
| | 09 – Interruptor Encendido / Apagado |

CUADRO 01

CARACTERÍSTICAS	UNIDAD	PA-14-N	PA-14-N
Producción Promedio	kg/h	Variable	Variable
Tensión	V	110 o 220	220
Frecuencia	Hz	60	50
Potencia	CV	1	1
Altura	mm	700	700
Ancho	mm	530	530
Profundidad	mm	660	660
Peso Neto	kg	71,5	71,5
Peso Bruto	kg	99	99

2.1 Discos Disponibles

El Procesador de Alimentos es un aparato de mesada capaz de realizar diversos tipos de cortes tales como: rebanado, desmenuzado, rallado. También puede procesar una gran variedad de vegetales, conservando sus propiedades nutritivas, color y jugos, además de evitar desperdicios.

En el cuadro 02 están descriptos los discos disponibles, así como también las dimensiones de corte y sus códigos.

CUADRO 02

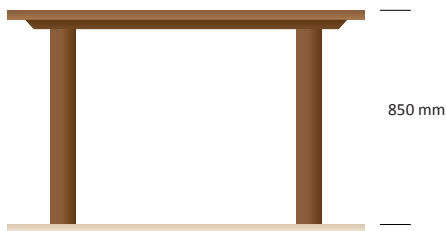
DISCOS INCLUIDOS EN EL ARTEFACTO	
NOMBRE	CÓDIGO
DISCO REBANADOR - 1,5 mm	51006.8
DISCO REBANADOR - 3 mm	51007.6
DISCO DESMENUZADOR - 3 mm	51009.2
DISCO DESMENUZADOR - 5 mm	51010.6
DISCO DESMENUZADOR - 8 mm	51011.4
DISCO RALLADOR	51012.2

3. INSTALACIÓN Y PRE-OPERACIÓN

3.1 Posicionamiento

Su aparato debe ser posicionado sobre una superficie seca, firme y nivelada, con 850 mm de altura, preferencialmente.

FIGURA 02



3.2 Instalación Eléctrica

Este aparato fue diseñado para 110 V 60 Hz, 220 V 60 Hz o 220 V 50 Hz. Cuando reciba el artefacto, verifique la tensión registrada en la etiqueta existente en el cable eléctrico.

El cable de alimentación posee 3 dientes, de los cuales el diente central se destina a la toma a tierra. Es obligatorio que los tres dientes estén debidamente conectados antes de accionar el equipamiento.

⚠ Certifique que la tensión de la red eléctrica donde el equipamiento será instalado, sea compatible con la tensión indicada en la etiqueta que se encuentra en el cable de energía eléctrica.

3.3 Pré-Operação

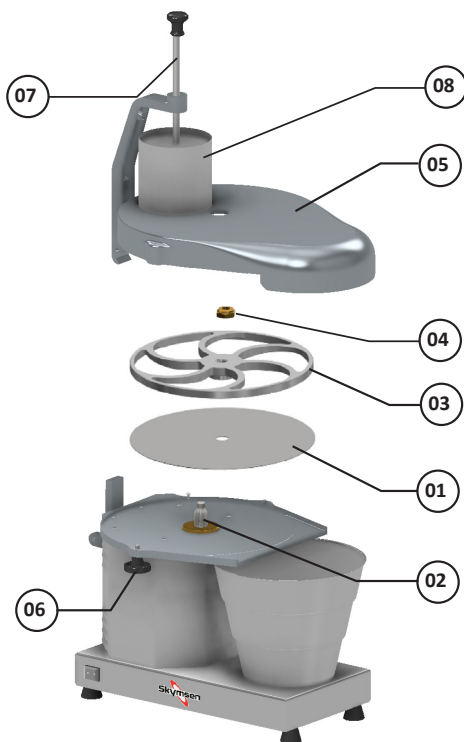
⚠ Antes de colocar la Tapa de la Cámara de Discos, certifíquese que el disco este bien encajado, evitando daños al artefacto.

Inicialmente, verifique que el Procesador de Alimentos esté firme en su posición. Antes de usarlo, se deben lavar con agua y jabón todas las partes que entran en contacto con el producto a procesarse. (lea el ítem 3.3 Limpieza e Higienización).

3.2.1 Procedimiento para el Montaje de los Discos

- 1 – Encaje el Plato Expulsor Nº 01 (Fig. 03) en el Eje Nº 02 (Fig. 03);
- 2 – Seleccione el Disco deseado (Nº 03 Fig. 03) y encájelo en el Eje Nº 02 (Fig. 03);
- 3 – Apriete la Tuerca Nº 04 (Fig. 03) en el Eje Nº 02 (Fig. 03);
- 4 – Encaje la Cámara de Discos Nº 05 (Fig. 03);
- 5 – Apriete los Mangos de fijación de la Cámara Nº 06 (Fig. 03);
- 6 – Alinee el Empujador Nº 07 (Fig. 03) en Vertedor de Alimentos Redondo Nº 08 (Fig. 03);

FIGURA 03



4. OPERACIÓN

4.1 Accionamiento

Para encender su aparato, siga los siguientes procedimientos:

- 1 – Certifíquese que la Tapa de la Cámara de Discos Nº01 (Fig. 04) esté debidamente cerrada y trabada. Si no lo está, apriete los Mangos de fijación Nº02 (Fig. 04).
- 2 – Presione el Interruptor Encendido / Apagado Nº03 (Fig. 04) para la posición "I", lo que permitirá encender el aparato.

FIGURA 04



⚠ El Plato Expulsor N°01 (Fig. 03) debe utilizarse siempre cualquiera sea el Disco de Corte N°03 (Fig. 03) que se esté usando. Antes de abrir la Tapa de la Cámara N°05 (Fig. 03), asegúrese que el Disco de Corte N°03 (Fig. 03) esté completamente parado.

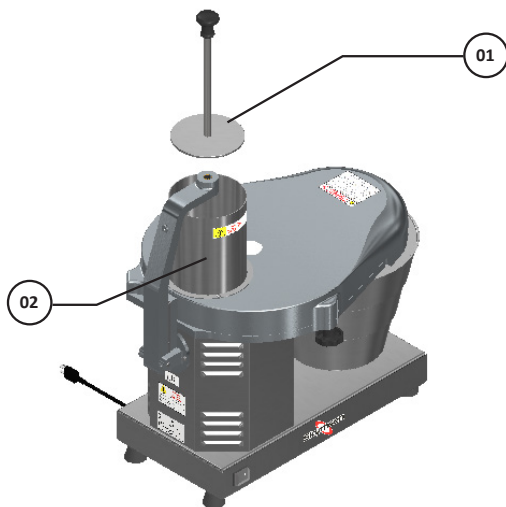
4.2 Procedimientos para Operación

El procesador de Alimentos es un artefacto que trabaja continuamente y por ello, necesita que la alimentación también sea constante. Este artefacto fue proyectado para posibilitar dos formas de trabajo:

Procedimiento para Operación:

Para este procedimiento, quite el Empujador N° 01 (Fig. 05), y coloque el producto a procesar dentro del Vertedor de Alimentos Redondo N° 02 (Fig. 05). Después, posicione el Empujador encima del Vertedor de Alimentos Redondo N° 01 y empuje levemente el producto hacia abajo.

FIGURA 05



⚠ Bajo ninguna circunstancia utilice instrumentos para empujar el producto a procesar hacia el interior del Vertedor de la Cámara de Discos, mucho menos las manos. Utilice siempre el Empujador arriba citado para realizar dicha operación.

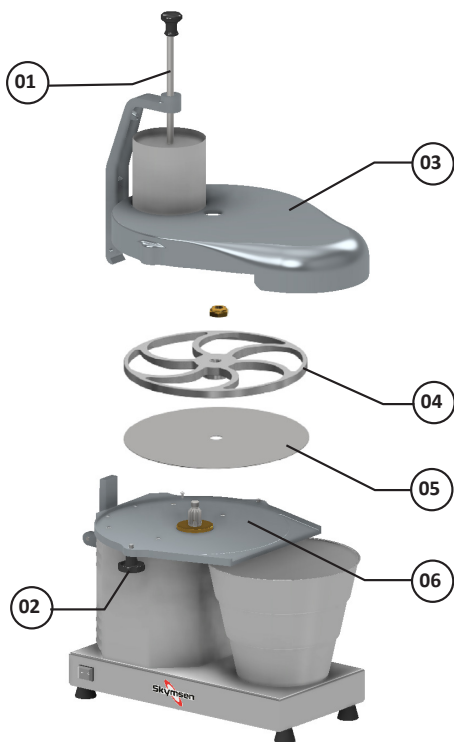
5. LIMPIEZA

Todas las partes removibles se deben retirar y limpiar. A continuación, se describe el procedimiento para la retirada de las partes removibles:

4.3.1 Procedimiento para desmontaje:

- 1 – Apague el aparato y, enseguida, desconecte el Cable de energía eléctrica.
- 2 – Mover y aleje el Empujador N° 01 (Fig. 06);
- 3 – Afloje los Mangos fijadores de la Cámara de Discos N° 02 (Fig. 06);
- 4 – Retire la Tapa de la Cámara de Discos N° 03 (Fig. 06);
- 5 – Retire el Disco N° 04 (Fig. 06);
- 6 – Retire el Plato Expulsor N° 05 (Fig. 06).

FIGURA 06



⚠ Al lavar los discos, tenga cuidado con las cuchillas. Para evitar dañarlas, no las toque con objetos rígidos.

⚠ Nunca efectúe la limpieza con el aparato conectado a la red eléctrica, por eso, retire el enchufe del tomacorriente. Antes de retirar la Cámara de Discos, asegúrese que el Disco esté completamente parado.

⚠ Lave todas las partes removibles con agua caliente y jabón neutro, pase un paño humedecido con la misma solución en el Gabinete N° 06 (Fig. 01), y en la Cámara de Discos N° 06 (Fig. 01).

7. RESOLUCIÓN DE PROBLEMAS

Este equipamiento fue proyectado para requerir mantenimiento mínima. Sin embargo, pueden suceder algunas irregularidades en su funcionamiento debido al desgaste natural causado por el uso.

Si hubiera algún problema con su artefacto, verifique la tabla a seguir en la que están especificadas las posibles soluciones.

Además, la Metalúrgica Skymesen Ltda. coloca a disposición toda su red de Asistentes Técnicos Autorizados, que lo atenderá con mucho gusto. Puede consultar la Lista de Asistentes Técnicos Autorizados en la página web **www.skymesen.com**.

Pase el lector de **QR Code** para obtener informaciones sobre cuidados con los aceros inoxidable.



6. MANUTENCIÓN

La manutención comprende un conjunto de procedimientos con el objetivo de mantener el aparato en las mejores condiciones de funcionamiento, permitiendo el aumento de su vida útil y de la seguridad.

*Limpieza – Verificar el ítem 3.3 “Limpieza e Higienización” de este manual.

*Cableado: Revise todos los cables para corroborar posible deterioración y todos los contactos (terminales) eléctricos para verificar posibles aprietes y corrosión.

*Contactos – Interruptor Encendido / Apagado, botón de emergencia, botón reset/restablecer, circuitos electrónicos, etc. Verifique el equipamiento para que todos los componentes funcionen correctamente y que la operación del aparato sea normal.

*Instalación – Verifique la instalación de su equipamiento según el ítem 2.1 “Instalación” de este manual.

1- Ítems a verificar y ejecutar mensualmente:

- Verificar la instalación eléctrica;
- Medir la tensión del tomacorriente;
- Medir la corriente de funcionamiento y comparar con la nominal;
- Verificar aprietes de todos los terminales eléctricos del aparato a fin de evitar posibles malos tratos;
- Verificar posibles holguras del eje del motor eléctrico;
- Chequear el cableado y el cable eléctrico cuando haya señales de supercalentamiento, aislación deficiente o avería mecánica.

2- Ítems a verificar o ejecutar a cada 3 meses:

- Verificar componentes eléctricos como el Interruptor Encendido / Apagado, botón de emergencia, botón reset/reinicio y circuito electrónicos cuando haya señales de supercalentamiento, aislación deficiente o avería mecánica.
- Verificar posibles holguras en los cojinetes y rodamientos.
- Verificar retenes, anillos o’rings, anillos v’rings y demás sistemas de sellamiento.

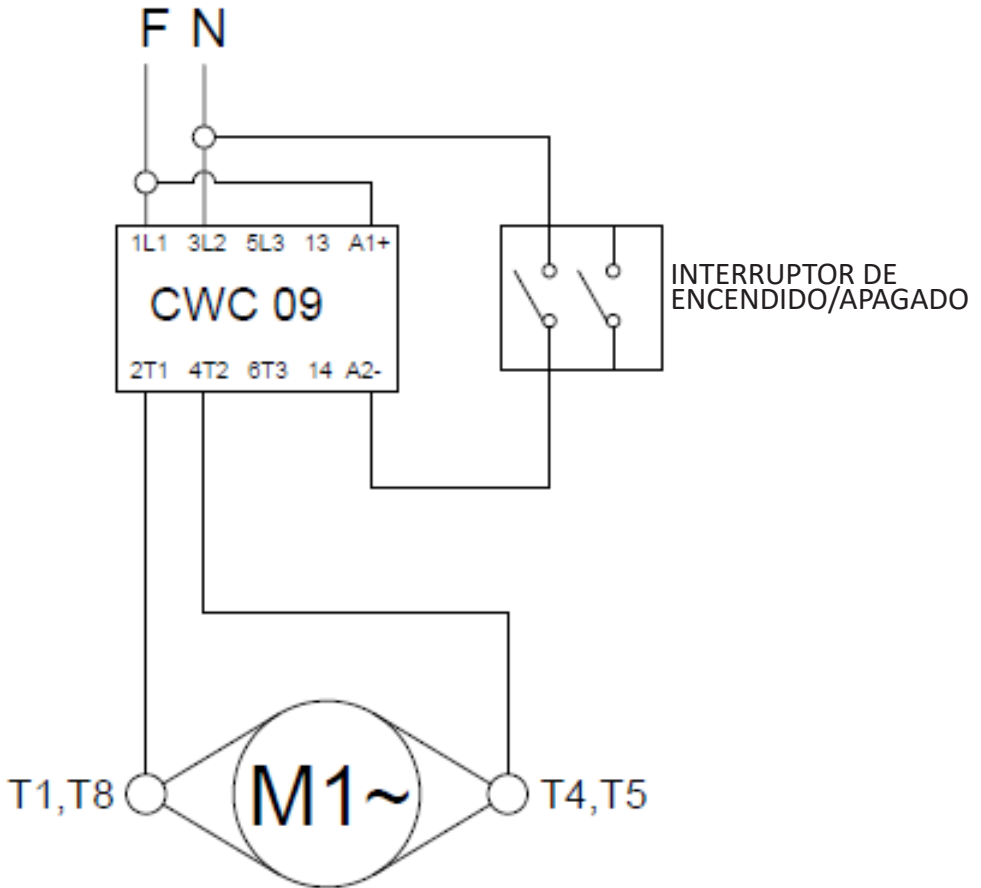
Pase el lector de QR Code para obtener informaciones sobre seguridad y mantenimiento.



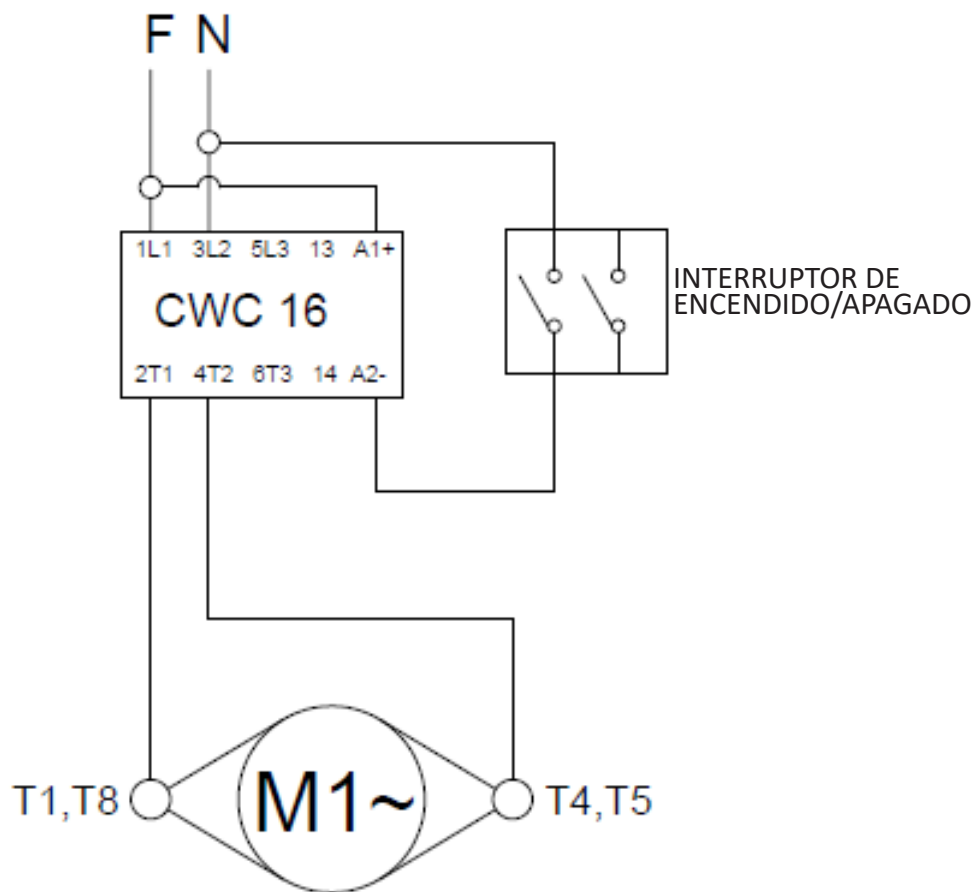
CUADRO 03

PROBLEMAS	CAUSAS	SOLUÇÕES
- Corte Irregular	- Las cuchillas perdieron el filo de corte.	- Afilar las cuchillas.
- El producto cortado queda preso en el interior del aparato.	- Ausencia del Plato Expulsor.	- Monte el Plato Expulsor.
- El aparato no enciende.	- Problema en el circuito eléctrico interno o externo del artefacto. - Falta de energía eléctrica.	- Llame a la Asistencia Técnica Autorizada (ATA). - Verifique si hay Energía Eléctrica;
- Olor a quemado e/o humo.	- Problema en el circuito eléctrico interno o externo del artefacto.	- Llame a la Asistencia Técnica Autorizada (ATA).
- El equipamiento enciende, pero al colocar el producto dentro de él, para de funcionar o gira en baja rotación.	- Correa patinando. - Falta de energía - Problemas con el Motor Eléctrico.	- Ajuste la tensión de las correas; - Verifique si el enchufe está conectado al tomacorriente; - Llame a la Asistencia Técnica Autorizada.
- Cable eléctrico dañado.	- Falla en el transporte del producto.	- Llame a la Asistencia Técnica Autorizada.

VOLTAJE
220V / 50Hz



VOLTAJE
110V / 60Hz



VOLTAJE
220V / 60Hz

