



STAINLESS STEEL MEAT GRINDER MOUNTH # 22
MOLINO DE CARNE 22, INOXIDABLE

MODEL/MODELO
PS-22

695137 - INGLÊS / ESPANHOL
Data de Revisão: 06/09/2023
Metalúrgica Skymesen Ltda.

Rodovia Ivo Silveira 9525
Volta Grande

88355-202 Brusque/SC/Brasil

www.skymesen.com - Fone: +55 47 3211 6000

CNPJ: 82.983.032/0001-19 - IE 250.064.537



INSTRUCTION MANUAL
MANUAL DE INSTRUCCIONES

SUMMARY

1. INTRODUCTION	2
1.1 Safety	2
2. COMPONENTS AND TECHNICAL CHARACTERISTICS	3
3. INSTALLATION AND PRE-OPERATION	4
3.1 Positioning.....	4
3.2 Electrical Installation.....	4
3.3 Pre Operation	4
4. OPERATION.....	4
4.1 Starting.....	4
4.2 Operational Procedures	4
5. CLEANING	5
6. MAINTENANCE	5
7. PROBLEM SOLVING	6
8. ELECTRICAL DIAGRAM.....	7

1. Introduction

1.1 Security

This equipment is suitable for grinding meat boneless and unfrozen, and is potentially dangerous when used improperly. It is necessary to perform maintenance, cleaning and/or any service by a qualified person and with the equipment disconnected from the electrical network.

The instructions below should be followed to avoid injury:

1.1.1 Read all instructions.

1.1.2 To protect against risk of electrical shock and equipment damage, never use the same with: clothes or wet feet and/or in damp or wet surface, do not immerse in water or any other liquid and do not use water jet directly on the equipment.

1.1.3 Should always be supervised when using any equipment, especially when it is being used near children.

1.1.4 Disconnect the equipment from power when: it's not in use, before cleaning, removing accessories, introduction of accessories, maintenance and any other type of service.

1.1.5 Do not use the equipment if you are with damaged cord or plug. Make sure that the power cord does not remain

on the edge of the table/counter or touch hot surfaces.

1.1.6 When the equipment suffer a fall, is damaged in any way or does not work it is necessary to take it to an authorized service center for examination, repair, electrical or mechanical adjustment.

1.1.7 The use of accessory attachments not recommended by the appliance manufacturer may cause injury.

1.1.8 Keep hands and any utensil away from moving parts of the appliance while it is running to prevent personal injury or damage to equipment.

1.1.9 Never wear with wide sleeves, especially on the wrists during the operation.

1.1.10 Before connecting the equipment, check if the mouth N° 02 (fig. 01) is firm in its position, and if all its internal components are mounted correctly as shown in Figure 03.

1.1.11 This product was developed for use in commercial kitchens. Is used, for example, in restaurants, canteens, hospitals, bakeries, butchers and similar.

The use of this equipment is not recommended when:

-The production process is continuously on an industrial scale;

-The workplace is an environment with corrosive atmosphere, explosive, contaminated with steam, dust or gas.

⚠ Make sure that the power cord is in perfect condition for use. If the same is not, do the replacement of the damaged cable on the other that meets the technical specifications and safety requirements.

This substitution should be performed by a qualified professional and must comply with the local safety standards.

⚠ This appliance is not intended for use by persons (including children) with reduced physical, sensory or mental capabilities, or lack of experience and knowledge, unless they have received instructions concerning use of the appliance or are supervised by a person responsible for their safety.

⚠ Drilled discs with oval shape or with larger diameter than the originals should not be used.

⚠ Keep the equipment out of the reach of children.

⚠ In case of emergency pull the plug out of the power ket.

⚠ Never use water jets directly on the equipment.

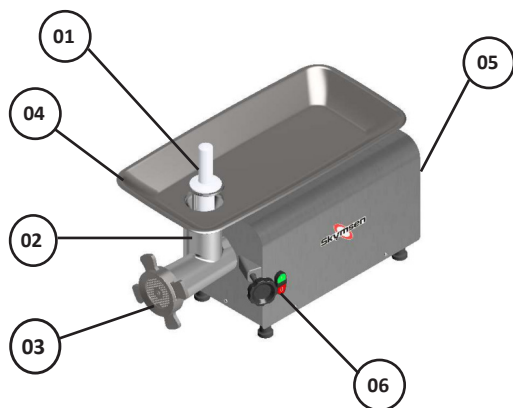
2. COMPONENTS AND TECHNICAL CHARACTERISTICS

All components that incorporate the equipment are constructed with materials carefully selected for each role, within the standards of testing and experience Skymesen.

The mouth Nr 02 (fig. 01) and the worm Screw N° 03 (fig. 03), receive cursory treatment to isolate and make cleaning easier.

The cross and the discs are made of hardened material to ensure the quality of the cut for much longer.

PICTURE 01



01-Tray Protection
02-Mouth
03-Wheel

04-Security Tray
05-Housing
06-On/Off switch

TABLE 01

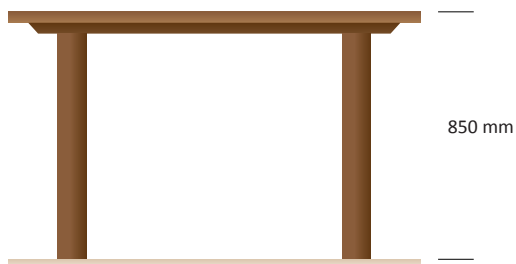
CARACTERÍSTICAS	UNIT	PS-22	PS-22	PS-22
Average Production	kg/h	300	300	300
Tension	V	110	220	220 or 230
Frequency	Hz	60	60	50
Power	CV	2	2	2
Height	mm	530	530	530
Width	mm	325	325	325
Depth	mm	720	720	720
Net Weight	kg	32	32	32
Gross Weight	kg	40	40	40

3. Installation and pre Operation

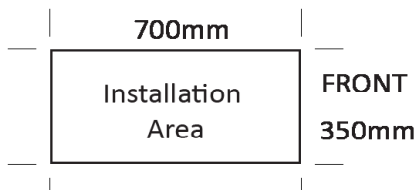
3.1 Positioning

Your equipment must be placed and leveled on a dry surface and firm with preferably 850 mm high.

PICTURE 02



Floor plan of the area recommended for installation of the equipment.



3.2 Electrical installation

This equipment was developed for 110, 220 or 230 V (single voltage according to equipment purchased). Upon receiving the equipment check the voltage listed on the label electric cable.

The power cord has 3 (three) pins, where the center pin is the ground pin-earthed (grounded). It is mandatory that the three points are properly connected before the equipment.

⚠ Make sure that the voltage of the power source where the equipment will be installed is compatible with the voltage indicated on the label on the power cord.

3.3 Pre Operation

Before using your equipment, should you wash all parts that come into contact with the product to be processed, with water and neutral SOAP (see item 3.4 cleaning).

Verify that the equipment this firm in your workplace.

⚠ When mounting the full mouth, do not over tighten the wheel no. 03 (fig. 01), thus avoiding locking or breaking of the internal components.

4. Operation

4.1 Functioning

⚠ Turn off the equipment at any time to remove your mouth. The equipment is silent. Don't let utensils such as knives, hooks and others, about the security Tray.

Make sure that the constituent Assembly of the mouth, is in the correct sequence, as shown in (fig. 03)

The firing is done as described below:

1 put the plug of the equipment in electric power socket.

2-check that the safety Tray N° 04 (fig. 01) is properly positioned in its place of work;

3-Press the on/off switch N° 06 (fig. 01) to the position "I" making that call equipment.

4.2 Procedure for Operation

⚠ Under no circumstances use strange instruments (cutlery, cables, etc.) to push the product to be rendered to the inside of the mouth, much less your hands. Use the socket N° 01 (fig. 01) to do this operation. The product to be rendered inside the mouth, it has the function to lubricate and cool the components of same. Therefore, do not leave connected equipment on empty, because in this way, warm too, and will damage your components.

The meat mincer is an equipment that works at high speed and to do so requires that the power supply is also fast.

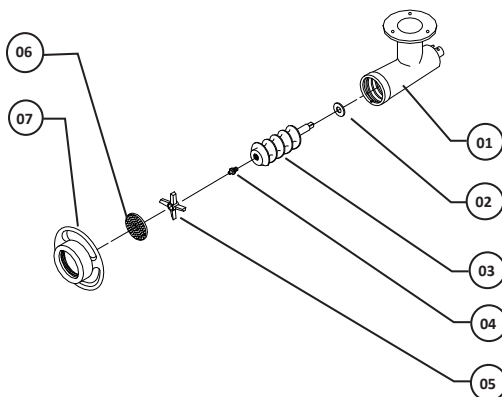
To feed him, put the meat on the tray N° 04 Security (fig. 01), and drive the same with hands until the entry of the power nozzle. With the help of the socket number 01 (fig. 01) push them to the inside of the mouth, where they will be pulled by the worm screw.

4.3 Mounting of internal components of the mouth

⚠ Note the position of the internal components of the mouth for no inversions of the same, because if this happens, irreparable harm will occur.

⚠ Note: When screwing in the steering wheel, just touch it. The final tightening must be done when starting the grinding operation.

PICTURE 03



01 - Mouth

02 - fiber Washer

03 - worm Screw

04 - worm screw Pin

05 - Blade

06 - 5 mm Disk, (optional 3 mm and 8 mm)

07 - Wheel

5. CLEANING

⚠ Pull the plug out of the socket before starting the cleaning process.

The equipment must be totally clean and sanitized:

- Before being used for the first time;
- After the operation of each day;
- Whenever it is not used for a prolonged period;
- Before putting it into operation after a prolonged downtime.

Some part of the equipment can be removed for cleaning as:

- Pan, socket, and its internal components
- Remove the socket N° 01 (fig. 01) security tray N° 04 (fig. 01), to facilitate the withdrawal of the mouth.
- To remove the Mouth, proceed as below:
- Remove the wheel N° 03 (fig. 01) and then its internal components, in order to do so, pull them out.

7. PROBLEM SOLVING

-Holding the Mouth N° 02 (fig. 01) loosen the lever located on the left side of the equipment, moving it alternately to the sides and front.

Wash all parts with warm water and neutral SOAP.

⚠ Do not store the mouth with product in its interior, where it can freeze

⚠ Do not use water jet directly on the equipment

Use Your QR Code Reader to access more information regarding the cares needed when handling stainless Steel.



6. MAINTENANCE

The maintenance must be considered a set of procedures that aims to keep the equipment in optimum operating conditions, resulting in increased service life and safety.

* Cleaning – Check item 3.3 of this manual Cleaning.

* Wiring-Check all the cables on the decay and all contacts (terminals) on the grip and electric corrosion.

* Contacts – on/off switch, emergency stop button, reset button, electronic circuits, etc. Check the equipment so that all components are functioning properly and that the operation of the appliance is normal.

* Installation – check the installation of your equipment according to item 2.1, Installation of this manual.

* **Product life-2 years, to a normal working turn.**

1-Items to check and perform monthly:

-Check the wiring;

-Measure the voltage from the socket;

-Measure the operating current and compare with the nominal;

-Check tightness of all electrical terminals of the unit, to avoid possible bad contacts;

-Check possible furloughs electric motor shaft;

-Check the wiring and electrical cable for signs of overheating, poor insulation or mechanical failure.

2-Checking Items or perform every 3 months:

-Check electrical components like power switch, emergency stop button, reset button and electronic circuit for signs of overheating, poor insulation or mechanical failure.

-Check possible clearances in bearings and bearings.

-Check seals, rings o'rings, v rings rings and other fencing systems.

- Check that all screws and nuts are tight to avoid possible damage to the equipment.

7.1 Problems, causes and solutions.

This equipment has been designed to require minimum maintenance. However, there may be some irregularities in its functioning, due to natural wear caused by its use.

If there is a problem with your equipment, check the following table, where they are described some possible recommended solutions.

In addition, Metalúrgica Skymesen Ltda. provides your entire network of Authorized Technical Assistant, which will have as much pleasure to serve you. The relationship of Authorized Technical Assistant can be consulted on the site

www.skymesen.com.

7.2 Adjustment and replacement of components

7.2.1 Edging of the disks and crosses.

The good discs and edging of crosses, causes the equipment to work with less effort, and consequently increases the lifespan of your components. To do this, browse to the SKYMSEN authorized technical assistance (ATA), to make the correct sharpening.

7.2.2 Gearbox

The meat Mincer is an equipment that works with oil lubricated reduction box.

To ensure the life of the equipment for much longer, check every 5,000 hours oil level, to both take the equipment to Skymesen authorized technical assistance (ATA).

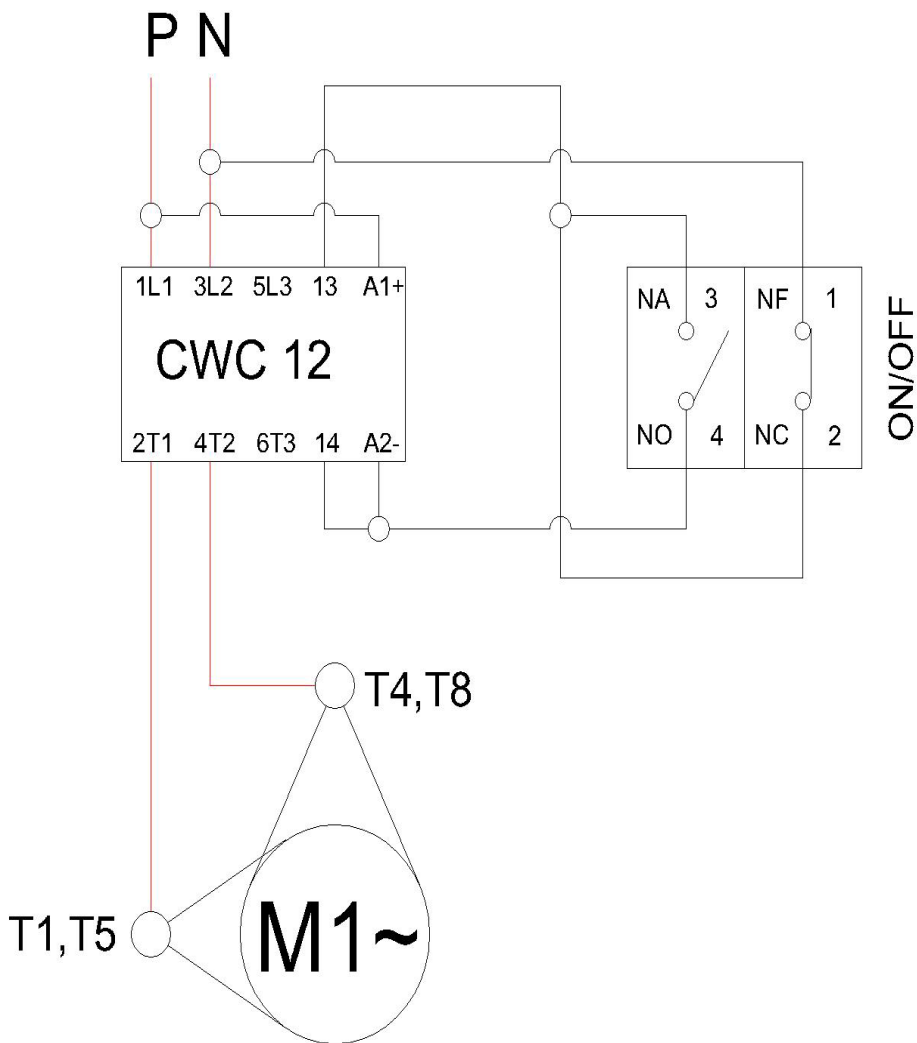
The amount of oil used in the meat Mincer is 250 ml, being recommended to use 140-UNITRON oil CASTROL or similar with viscosity (SAE140, APIGL-4, ANP 1006).

TABLE 02

PROBLEMS	CAUSES	SOLUTIONS
-The unit will not turn on.	-Lack of electrical energy; -Worn or broken Gears; -Problem in the internal or external electrical circuit of the equipment.	-Check if there is Power; Call authorized technical assistance (ATA); Call authorized technical assistance (ATA);
-Burning odor and/or smoke.	-Problem in the internal or external electrical circuit of the equipment.	Call authorized technical assistance (ATA);
-Alloy equipment but when the product is placed on the equipment, the same for or revolves low rotation.	-Worn or broken Gears; -Problems with the Electric Motor.	Call authorized technical assistance (ATA); Call authorized technical assistance (ATA);
-Electric Cable damaged.	-Transport of the product failure.	Call authorized technical assistance (ATA);
-Strange noises.	-Defective Bearings	Call authorized technical assistance (ATA);
-The processed product comes out crushed.	-One of the components of the mouth or incorrect mounting of the same; -Disks or Crosses blunt.	-Check the mounting sequence according to (fig. 03); -See item 5.2.1 of this manual.
-The nut screw to during operation	-Lack of electrical power on the equipment; -Problem in the internal or external electrical circuit of the equipment; -Worn or broken Gears.	-Check that the plug is plugged into the socket, and if there is power to the electrical network; * Call authorized technical assistance (ATA).
* Oil leak in the gearbox.	- Sealing System of the damaged equipment.	* Call authorized technical assistance (ATA).

ELECTRIC NETWORK

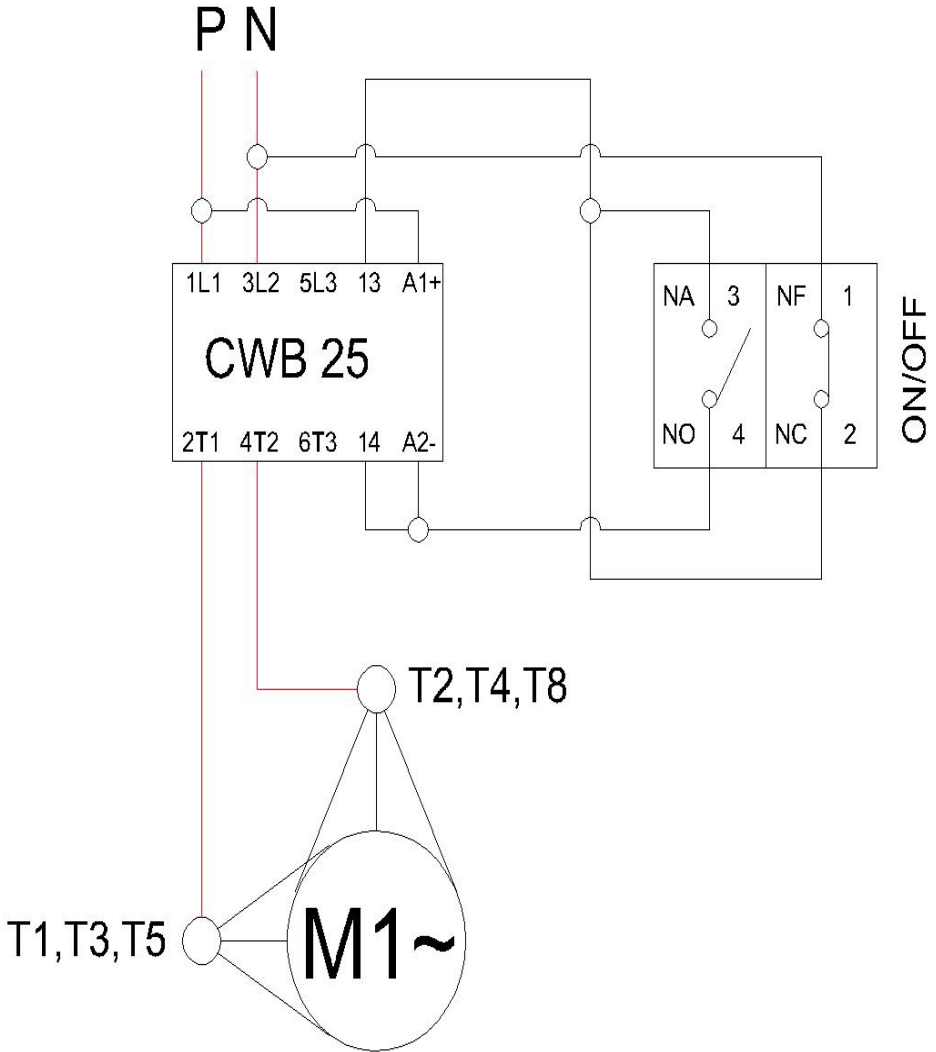
220V / 50Hz



NOTE: To reverse motor rotation direction, replace wire T5 with wire T8.

ELECTRIC NETWORK

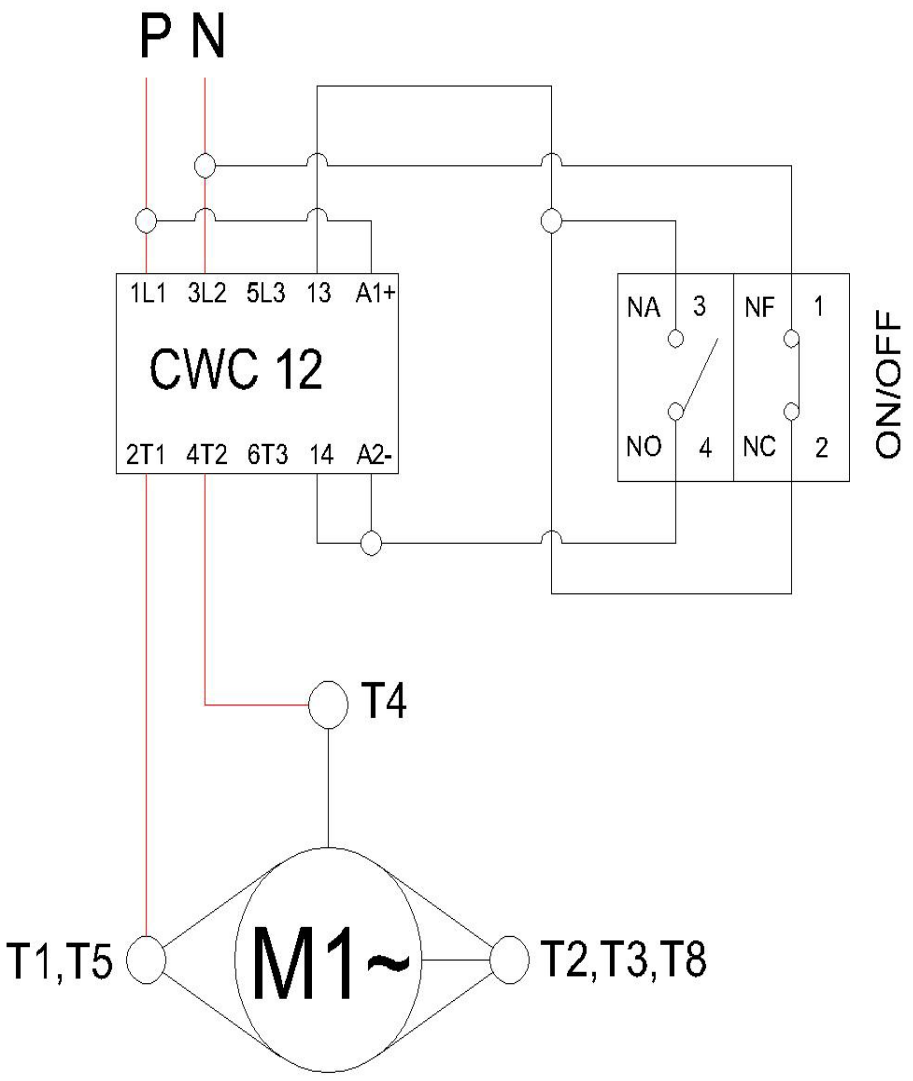
110V / 60Hz



NOTE: To reverse motor rotation direction, replace wire T5 with wire T8.

ELECTRIC NETWORK

220V / 60Hz



NOTA: To reverse motor rotation direction, replace wire T5 with wire T8.

INDICE

1. INTRODUCCIÓN.....	10
1.1 Seguridad	10
2. COMPONENTS Y CARACTERÍSTICAS TÉCNICAS	11
3. INSTALACIÓN Y PRÉ-OPERACIÓN. 11	
3.1 Posicionamiento	11
3.2 Instalación Elctrica	11
3.3 Pré Operación.....	12
4. OPERACIÓN	12
4.1 Accionamiento.....	12
4.2 Procedimiento para Operación	12
5. LIMPIEZA	12
6. MANUTENCIÓN	13
7. RESOLUCIÓN DE PROBLEMAS	13
8. DIAGRAMA ELECTRICO	14

1. Introducción

1.1 Seguridad

Este equipo es indicado para moler carne deshuesada y sin congelar y es potencialmente peligrosa cuando se usa incorrectamente. Es necesario realizar mantenimiento, limoieza o cualquier servicio por una persona calificada y con el equipo desconectado de la red eléctrica.

Deben seguirse las siguientes instrucciones para evitar lesiones:

1.1.1 Lea todas las instrucciones.

1.1.2 Para protegerse contra el riesgo de descarga eléctrica o daño al equipo, nunca use la misma con: ropa o pies mojados o en lugares húmeda o mojada superficie, no lo sumerja en agua u otroco líquido y no utilice chorro de agua directamente en el equipo.

1.1.3 Siempre deben ser supervisados cuando use cualquier equipo, especialmente cuando se utiliza cerca de niños.

1.1.4 Desconecte el equipo de alimentación cuando: es que no esté en uso, antes de la limpieza, quitar los accesorios, introducción de accesorios, mantenimiento y cualquier otro tipo de servicio.

1.1.5 No utilice el equipo si son con cable o enchufe. Asegúrese que el cable de alimentación no permanecen en el borde del mesa/contador o toque superficies calientes.

1.1.6 Cuando el equipo sufre una caída, está dañado de alguna manera o no funciona es necesario llevarlo a un centro de servicio autorizado para la examinación, reparación, ajuste eléctrico o mecánico.

1.1.7 El uso de accsorios no recomendados por el fabricante del aparato puede provocar lesiones.

1.1.8 Mantenga las manos y cualquier utensilio de mover las piezas del aparato mientras esté en funcionamiento para evitar lesiones personales o daños al equipo.

1.1.9 Nunca ropa con mangas anchas, especialmente en las muñecas durante la operación.

1.1.10 Antes de conectar el equipo, compruebe si la boca N° 02 (fig.01) está firme en su posición, y si todos sus componentes internos están montados correctamente como se muestra en la figura 03.

1.1.11 Que este producto fue desarrollado para su uso en cocinas comerciales. Se utiliza, por ejemplo, en restaurantes, cantinas, hospitales, panaderías, carnicerías y similares.

No se recomienda el uso de este equipo cuando:

- El proceso de producción es continuamente a escala industrial;
- El lugar de trabajo es un entorno de ambiente corrosivo, explosivo, contaminados con vapores, polvo o gas.

⚠ Asegúrese de que el cable de alimentación está en perfectas condiciones para su uso. Si no es lo mismo, hacer el reemplazo del cable dañado por otro que cumpla con las especificaciones técnicas y requisitos de seguridad. Esta sustitución debe ser realizada por un profesional calificado y debe cumplir con las normas de seguridad locales.

⚠ Este aparato no está diseñado para su uso por personas(incluyendo a niños) con capacidades físicas, sensoriales o mentales reducidas, o con falta de experiencia y conocimientos, a menos q hayan recibido instrucciones sobre el uso del aparato o están supervisados por una persona responsable de su seguridad.

⚠ No deben utilizarse discos perforados con forma ovalada o con un diámetro mayor que los originales.

⚠ Mantenga el equipo fuera del alcance de los niños.

⚠ En caso de emergencia, desconecte el enchufe de la toma de corriente.

⚠ **Nunca use chorros de agua directamente en el equipo.**

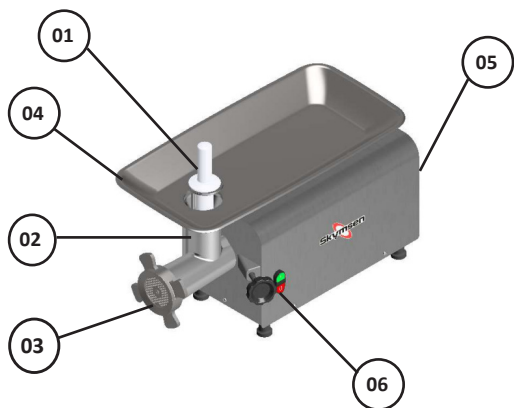
2. COMPONENTS Y CARACTERÍSTICAS TÉCNICAS

Todos los componentes que incorporan los equipos están contruidos con materiales cuidadosamente seleccionados para cada rol, dentro de los estándares de prueba y esperimentan Skymssen.

La boca N° 02 (fig. 01) y lo gusano tornillo N° 03 (fig. 03), reciben tratamiento superficial para aislar y facilitar la limpieza.

La Cruz y los discos se hacen del material endurecido para asegurar la claidad del corte por mucho tiempo.

FIGURA 01



- 01 - Protección de Bandeja 04 - Bandeja de Seguridad
02 - Boca 05 - Gabinete
03 - Rueda 06 - Llave prender/apagar

TABLA 01

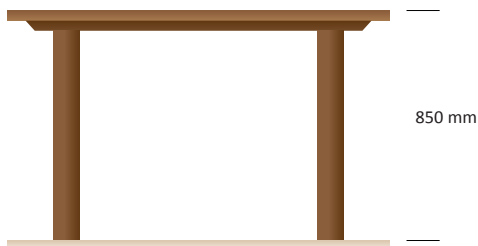
CARACTERÍSTICAS	UNIDAD	PS-22	PS-22	PS-22
Prod. Promedio	kg/h	300	300	300
Tensión	V	110	220	220 ou 230
Frecuencia	Hz	60	60	50
Potência	CV	2	2	2
Altura	mm	530	530	530
Ancho	mm	325	325	325
Profundidad	mm	720	720	720
Peso Neto	kg	32	32	32
Peso Bruto	kg	40	40	40

3. Instalación y Pre-Operación

3.1 Posicionamiento

Su equipo debe ser colocado y nivelado en un lugar seco superficial y firme con preferencia 850 mm de alto.

FIGURA 02



Plano de la zona recomendada para la instalación de los equipos.



3.2 Instalación Eléctrica

Este equipo fue desarrollado para 110, 220 o 230 (voltaje único según equipo adquirido). Al recibir el equipo verifique el voltaje indicado en la etiqueta del cable eléctrico.

El cable de alimentación tiene 3 (tres) pines, donde el pasador central es la tierra pin-la conexión a tierra (tierra). Es obligatorio que los tres puntos están conectados correctamente antes de hacer el equipo.

⚠ **Asegúrese de que el voltaje de la fuente de energía donde se instalará el equipo es compatible con la tensión indicada en la etiqueta en el cable de alimentación.**

3.3 Pre-Operación

Antes de usar su equipo, debe lavar todas las piezas que entran en contacto con el producto para ser procesado, con agua y jabón neutro (véase el artículo 3.4 Limpieza)

Verificar que el equipo este firme en su lugar de trabajo.

⚠ **Cuando se monta la boca llena, no apriete demasiado la rueda N°03 (fig. 01), evitando así el bloqueo o la ruptura de los componentes internos.**

4. Operación

PICTURE 03

4.1 Funcionamiento

⚠ Apague el equipo en cualquier momento para quitar la boca. El equipo es silencioso. No dejes que los utensilios tales como cuchillos, ganchos y otros, sobre la seguridad de la bandeja.

Asegúrese de que la Asamblea Constituyente de la boca, es en la secuencia correcta, como se muestra en (fig. 03).

La cocción se realiza como se describe a continuación:

1 - Coloque el enchufe del equipo en la toma de corriente eléctrica;

2 - Comprobar que la Bandeja de Seguridad N° 04 (fig. 01) esté colocada correctamente en su lugar de trabajo;

3 - Pulse la llave prender/apagar N° 06 (fig. 01) a la posición "I" que llame a equipos.

4.2 Procedimiento de operación

⚠ Bajo ninguna circunstancia utilice instrumentos extraños (cuchillería, cables, etc.) para empujar el producto que procesa en el interior de la boca, mucho menos las manos. Utilice el zócalo para realizar esta operación. El producto que procesa dentro de la boca, tiene la función de lubricar y enfriar los componentes del mismo. Por lo tanto, no dejar equipos conectados en vacío, porque de esta manera, caliente muy y puede dañar los componentes.

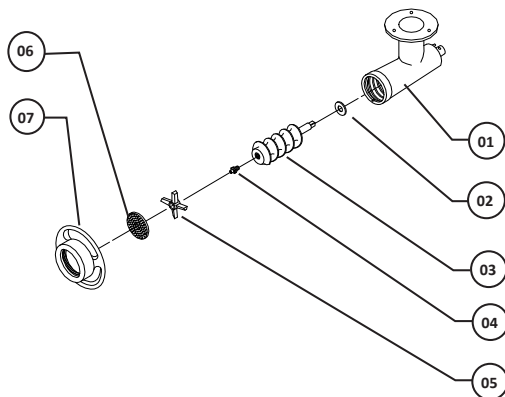
La picadora de carne es un equipo que trabaja a alta velocidad y para ello requiere que la fuente de alimentación también es rápida.

Para alimentarlo, poner la carne en la Bandeja de Seguridad N° 04 (fig.01) y lo mismo con las manos hasta la entrada de la boquilla de potencia en coche. Con la ayuda del zócalo empujar hacia adentro de la boca, donde se va desplazando por el Gusano Tornillo.

4.3 Montaje de los componentes internos de la boca

⚠ Observar la posición de los componentes internos de la boca para no inversiones del mismo, porque si esto sucede, se producirá un daño irreparable.

⚠ Observación: Al atornillar el volante, simplemente tóquelo. El apriete final debe ser dado al iniciar la operación de molienda.



01 - Boca

02 - Arandela de fibra

03 - Gusano Tornillo

04 - Gusano Tornillo Perno

05 - Lamina

06 - Disco 5 mm, (opcional
3 mm y 8 mm)

07 - Rueda

5. LIMPIEZA

⚠ Desconecte el enchufe de la toma de corriente antes de iniciar el proceso de limpieza.

El equipo debe estar totalmente limpio y desinfectado:

- Antes de utilizarse por primera vez;
- Después de la operación de cada día;
- Cuando no se utiliza durante un período prolongado;
- Antes de poner en funcionamiento después de un prolongado tiempo de inactividad;


Una parte de los equipos puede extraer para su limpieza como:


- Pan, zócalo y sus componente internos;
- Quitar el zócalo y la Bandeja de Seguridad N° 04 (fig. 01), para facilitar la retirada de la boca.

Para quitar la boca, proceder como abajo:

- Retire la rueda N° 03 (fig. 01) y luego sus componentes internos, para ello, tire de ellos hacia fuera.
- Mantiene la boca N° 02 (fig. 01). Afloje la palanca situada en el lado izquierdo del equipo, moviéndolo alternativamente hacia el frente y los lados.

Lave todas las piezas con agua tibia y jabón neutro.

 **No almacene la boca con el producto en su interior, donde puede congelar**

 **No utilice chorro de agua directamente en el equipo.**

Pase el lector de **QR Code** para obtener informaciones sobre cuidados con los aceros inoxidable.



Pase el lector de QR Code para obtener informaciones sobre seguridad y mantenimiento.



6. MANTENIMIENTO

El mantenimiento debe ser considerado un conjunto de procedimientos que tiene como objetivo mantener el equipo en óptimas condiciones de funcionamiento, dando como resultado mayor duración y seguridad.

* Limpieza - ver artículo 3.4 de esta manual.

* Cableado - Compruebe todos los cables en el decaimiento y todos los contactos (bornes) de la empuñadura y la corrosión eléctrica.

* Contactos - encendido/apagado del interruptor, botón de parada de emergencia, botón de reinicio, circuitos electrónicos, etc... Compruebe el equipo para que todos los componentes funcionan correctamente y que la operación del aparato es normal.

* Instalación - Verifique la instalación de su equipo según el punto 2.1, instalación de este manual.

* **Producto vida - 2 años, en turno normal de trabajo.**

1 - Elementos para revisar y realizar mensualmente:

- Verifique el cableado;
- Mida el voltaje de la toma;
- Medir la corriente de operación y comparar con el nominal;
- Verifique el ajuste de todos los terminales eléctricos de la unidad, para evitar posibles contactos malos;
- Comprobar el eje del motor eléctrico de premisos posibles;
- Compruebe el cable eléctrico y cableado para detectar signos de sobrecalentamiento, aislamiento pobre o falla mecánica;

2 - Elementos para revisar y realizar a cada 3 meses:

- Comprobar los componentes eléctricos como interruptor de encendido, botón de parada de emergencia, botón de reinicio y circuito electrónico para detectar signos de sobrecalentamiento, aislamiento pobre o falla mecánica;
- Verificar posibles holguras en los rodamientos y conjuntos;
- Comprobar los sellos, anillos o rings, anillos v y otros sistemas de cerrado;
- Verifique el apriete de todos los tornillos y tuercas para evitar posibles daños al equipo.

7. RESOLUCIÓN DE PROBLEMAS

7.1 Problemas, causas y soluciones.

Este equipo ha sido diseñado para requerir un mantenimiento mínimo. Sin embargo, puede haber algunas irregularidades en su funcionamiento, debido al desgaste natural causada por su uso.

Si hay un problema con su equipo, compruebe la tabla siguiente, donde se encuentran descritas algunas posibles soluciones.

Por otra parte, Metalúrgica Skymesen LTDA. proporciona toda su red de autorizado asistente técnico, que tendrá tanto placer atenderle. La relación del asistente técnico autorizado puede consultarse en el sitio www.skymesen.com.br.

7.2 Ajuste y reemplazo de componentes

7.2.1 Afilamiento de los discos y cruces.

Los buenos discos y ribete de cruces, causa el equipo trabajar con menos esfuerzo y por lo tanto aumenta la vida útil de sus componentes. Para ello, busque la SKYMSEN autorizada asistencia técnica (ATA), para hacer el correcto afilado.

7.2.2 Caja de engranajes

La carne picadora es un equipo que trabaja con la caja reducida lubricado aceite. Para garantizar la vida de los equipos por mucho más tiempo, compruebe el nivel de aceite cada 5.000 horas, amos lleve el equipo a Skymesen autorizado asistencia técnica (ATA).

La cantidad de aceite usado en la picadora de carne es de 250 ml, siendo recomendable usar 140-UNITRON aceite CASTROL o similar con viscosidad (SAE140, APIGL-4, ANP 1006).

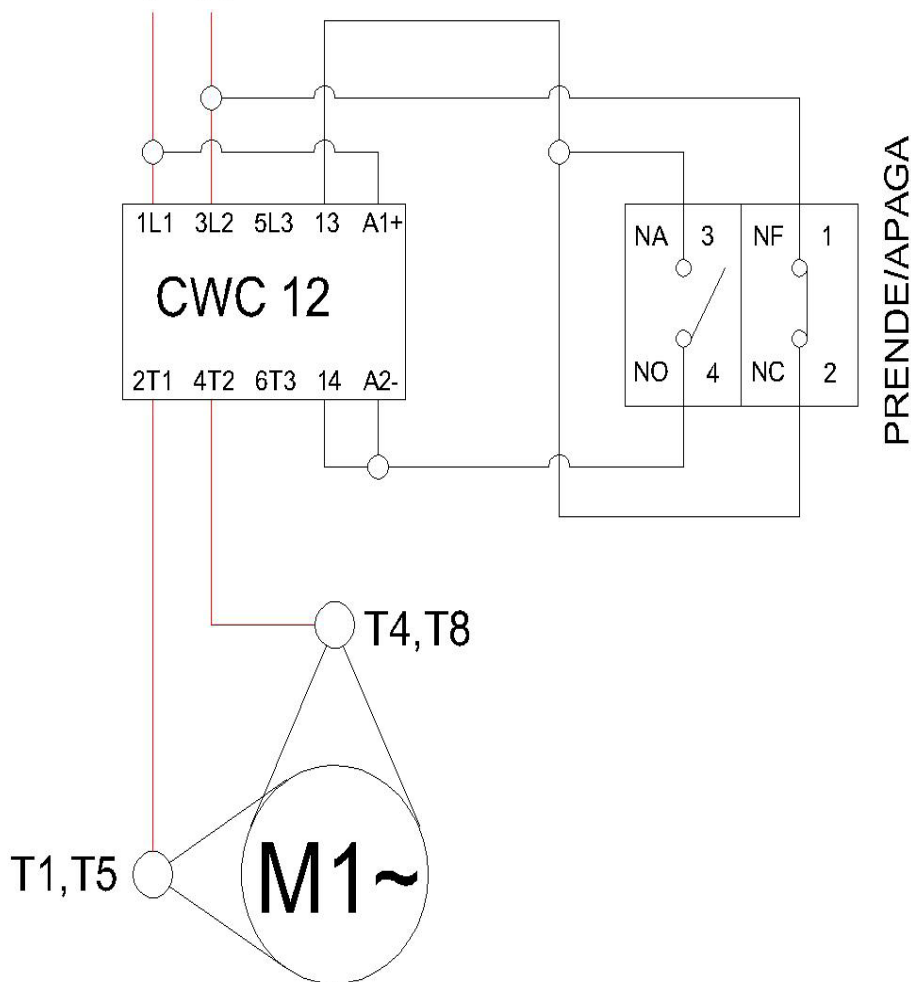
TABLA 02

PROBLEMAS	CAUSAS	SOLUCIONES
- La unidad no se enciende;	- Falta de energía eléctrica; - Engrenajes gastados o rotos; - Problema en el circuito eléctrico interno o externo del equipo;	- Comprobar si hay alimentación; - Llame a asistencia técnica autorizada; - Llame a asistencia técnica autorizada;
- Quema olor o humo;	- Problema en el circuito eléctrico interno o externo del equipo;	- Llame a asistencia técnica autorizada;
- Aleación de equipo, pero cuando el producto se coloca en el equipo, lo mismo para o gira en rotación baja;	- Engrenajes gastados o rotos; - Problemas con el motor eléctrico;	- Llame a asistencia técnica autorizada; - Llame a asistencia técnica autorizada;
- Cable eléctrico dañado;	- Transporte de fallo del producto;	- Llame a asistencia técnica autorizada;
- Ruidos;	- Rodamientos defectuosos;	- Llame a asistencia técnica autorizada;
- El producto procesado sale aplastado;	- Uno de los componentes de la boca o el montaje incorreto de la misma; - Los discos o cruza embotado;	- Comprobar la secuencia de montaje según (fig. 03); - Véase el punto 5.2.1 de este manual.
- El tornillo tuerca durante la operación;	- Falta de energía eléctrica en el equipo; - Problema en el circuito eléctrico interno o externo del equipo; - Engrenajes desgastados o rotos;	- Compruebe que el enchufe está enchufado en el zócalo, y si hay energía a la red eléctrica; - Llame a asistencia técnica autorizada; - Llame a asistencia técnica autorizada;
- Fuga de aceite en la caja de engranajes;	- Sistema de los equipos dañados de sellado;	- Llame a asistencia técnica autorizada;

RED ELÉCTRICA

220V / 50Hz

F N

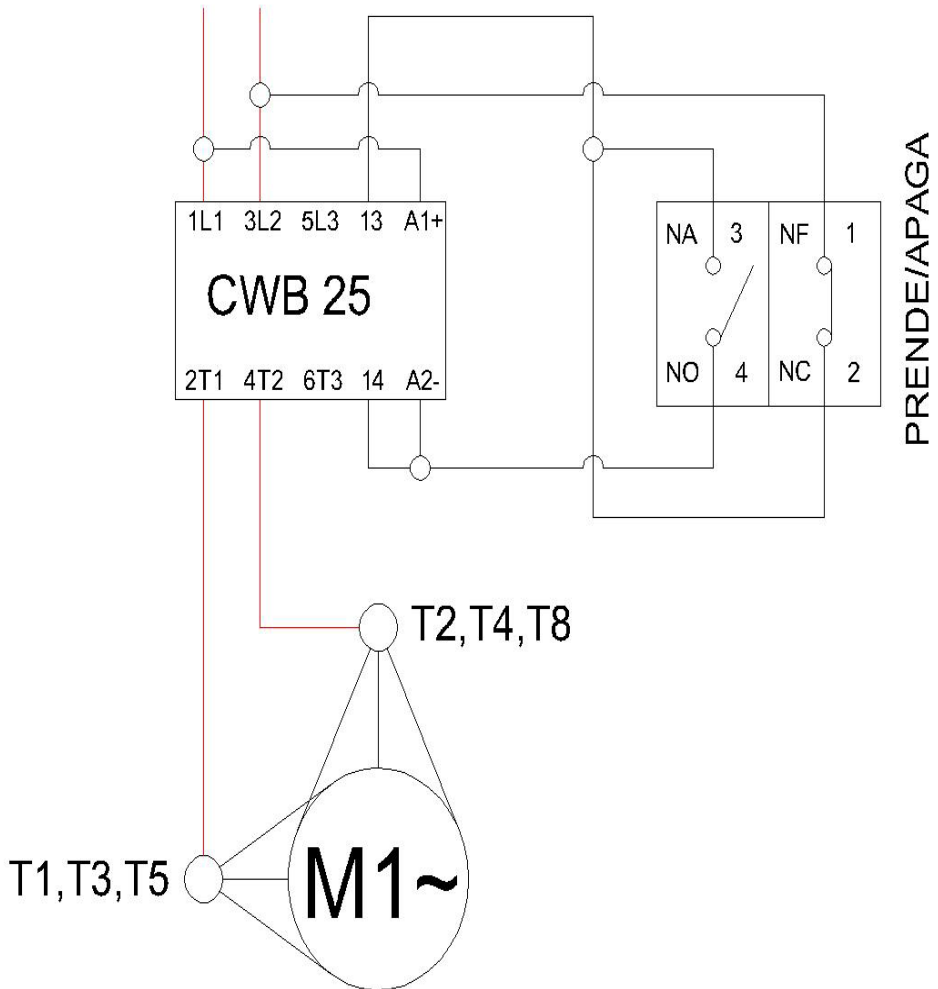


NOTA: Para invertir la dirección de rotación del motor, reemplace el cable T5 con el cable T8.

RED ELÉCTRICA

110V / 60Hz

F N

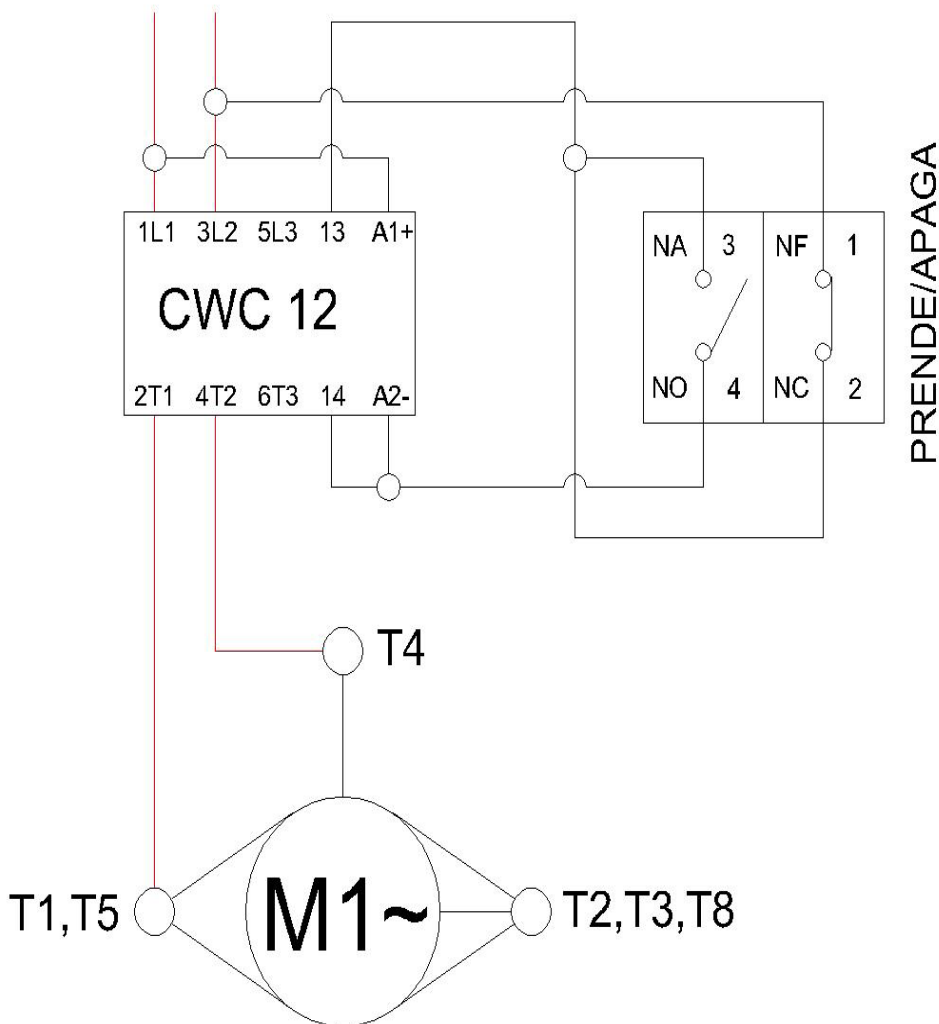


NOTA: Para invertir la dirección de rotación del motor, reemplace el cable T5 con el cable T8.

RED ELÉCTRICA

220V / 60Hz

F N



NOTA: Para invertir la dirección de rotación del motor, reemplace el cable T5 con el cable T8.

