

# INSTRUCTION MANUAL MANUAL DE INSTRUCCIONES



POTATO PEELER, 6 kg / PELADORA DE PAPAS, 6 kg

MODEL/MODELO

**DB-06**

# SUMMARY

<b>1. Introduction .....</b>	<b>3</b>
1.1 Safety .....	3
1.2 Main Components .....	5
1.3 Technical Characteristics .....	6
<b>2. Installation and Pre-Operation.....</b>	<b>6</b>
2.1 Installation .....	6
2.2 Pre Operation .....	8
<b>3. Operation .....</b>	<b>8</b>
3.1 Starting.....	8
3.2 Operating Procedures .....	8
3.3 Cleaning and Sanitizing .....	9
3.4 Cautions with Stainless Steel .....	10
<b>4. General Safety Practices .....</b>	<b>11</b>
4.1 Basic Operation Procedures .....	11
4.2 Safety Procedures and Notes before Switching the Machine ON .....	12
4.3 Routine Inspection.....	13
4.4 Operation .....	13
4.5 After Finishing The Work.....	13
4.6 Maintenance .....	14
4.7 Warning.....	14
<b>5. Analysis and Problems Solving.....</b>	<b>15</b>
5.1 Problem, causes and solutions .....	15
5.2 Adjustments and components replacement .....	15
<b>6. Maintenance .....</b>	<b>16</b>
<b>7. Electric Diagram.....</b>	<b>17</b>

# 1. Introduction

## 1.1 Safety

When not properly used this equipment is a potentially DANGEROUS machine. It is necessary to perform maintenances, cleaning and/or any servisse by qualified personnel and with the equipment disconnected from the power grid.

The instructions below must be followed to avoid accidents:

1.1.1 Read all the instructions.

1.1.2 To avoid the risk of eletric shock and damages to the appliance, never use it with: wet clothes and feet ou on a wet surface, don't patch it in water or any other liquid or não mergulhe em água ou qualquer outro líquido e não utilize jato de água diretwaterjet direct to the appliance.

1.1.3 Any appliance utilization must always be supervised, mainly when it is being used near children.

1.1.4 Disconnect the appliance from the power grid when, it's not being used, before cleaning it, removing the accessories, acessories introduction, maintenance or any other service.

1.1.5 Don't use the equipment if the cable or plug is damaged. Make sure that the power cable isn't on the edge of the table/counter or that it touches hot surfaces.

1.1.6 If the Equipment physically falls down, suffers any kind of damage or has stopped working for any reason, it is necessary to call specialized technical assistance.

1.1.7 The use of accessories not recommended by the manufacturer can lead to injuries.

1.1.8 Keep your hands and any utensil far from the parts in movement of the appliance while in operation to avoid body injuries or damage to the appliance.

1.1.9 During operation never wear loose clothes with wide sleeves, especially on the wrists.

1.1.10 Make sure that the electrical tension of the appliance and the power grid are the same and that the appliance is connected to the grounding grid.

1.1.11 When placing the Disc N<sup>o</sup>.07 (Pic.01) make sure its perfect fitting on Central Shaft Pin # 02 (Pic. 02), avoiding to damage the equipment.

1.1.12 This product was developed to be used in commercial kitchens. It is used, for example, in restaurants, cafeterias, hospitals, bakeries, etc.

This appliance usage is not recommended when:

- The production process should be done in a continuous way in industrial scale;
- The workplace is in an atmosphere of corrosive, explosive, with dust or gas.

**IMPORTANT**

**Make sure the cord is in perfect working conditions, if not, change it for one in accordance to the local safety standards. Such change shall be made by qualified professional following the local safety standards.**

**IMPORTANT**

**This equipment shall not be used by children or any person with reduced physical or mental capacity, lack of experience or knowledge, unless they are under supervision or have received from the person responsible for safety, proper instructions on how to use the equipment.**

**IMPORTANT**

**Children shall be watched in order to avoid them to play with the equipment.**

**IMPORTANT**

**In case of emergency, unplug the appliance from wall electrical outlet immediately.**

**IMPORTANT**

**Never spray water directly on the equipment.**

## 1.2 Main Components

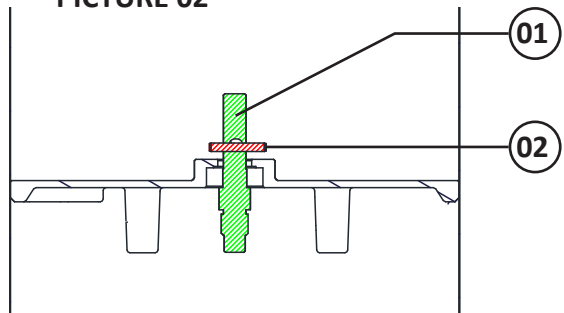
All the components that are part of this appliance are built with highly selected materials for each purpose, according to standard tests and with Skymssen experience.

**PICTURE 01**



**PICTURE 02**

- 01 - Central Shaft
- 02 - Central Shaft Pin



### 1.3 Technical Characteristics

**TABLE 01**

<b>CHARACTERISTICS</b>	<b>UNIT</b>	<b>DB-06</b>	<b>DB-06</b>
Average Production	kg/h	Up to 120	Up to 120
Voltage	V	110/220	220
Frequency	Hz	60	50
Power Rating	W	380	380
Height	inches	23 1/4	23 1/4
Width	inches	14 3/4	14 3/4
Depth	inches	15 3/4	15 3/4
Net Weight	lb	38,6	38,6
Gross Weight	lb	43	43
Load Capacity	kg	06	06

(\*) Check label for correct frequency.

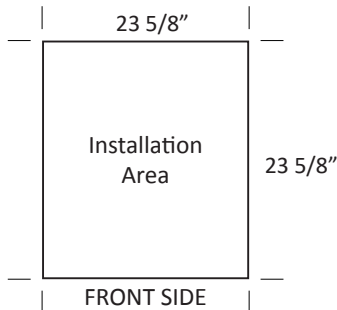
## 2. Installation and Pre-Operation

### 2.1 Installation

#### 2.1.1 Placing

Your appliance must be installed in an aligned, non-slip, stable surface with 850 mm of height.

**PICTURE 03**



### 2.1.2 Electric Installation

This equipment has been designed for 110/220 V (50 or 60Hz) or 220 V (50Hz). When you receive the equipment check tension printed in the tag on the electric cable.

If necessary, adjust the equipment to the desired voltage. To do so, remove the Rubber Lid located at the bottom of the Equipment Base No. 08 (Pic.01) and adjust the Selector Switch to the desired tension.

The cord has a plug with 3 pins, and the central pin is intended to the grounding. It's mandatory that the three points are connected before starting the appliance.

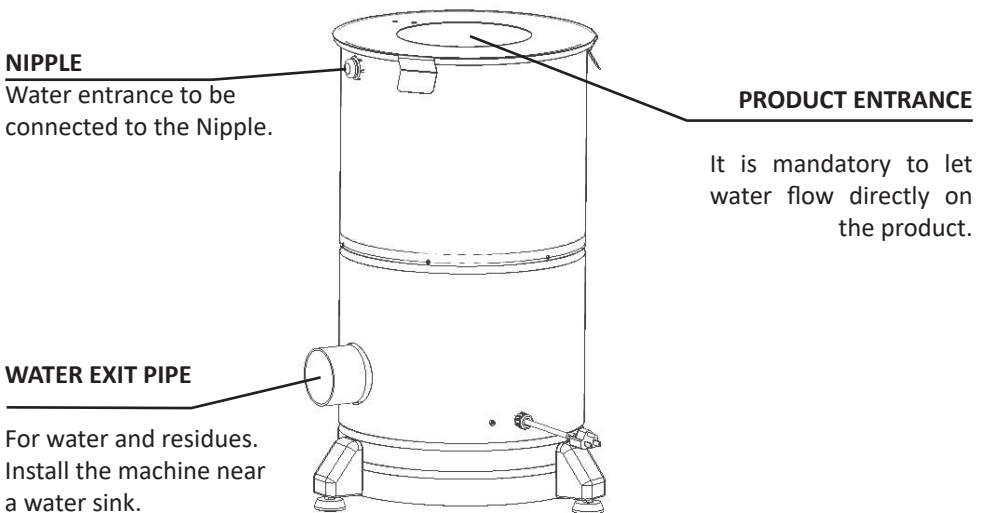
#### **IMPORTANT**

**Make sure the power grid where the appliance is installed is compatible to the tension is compatible with the tension indicated in tag in the feeding cable.**

### 2.1.3 Hydraulic Installation

It is recommended to install the machine near a drain or channel the water outlet. It is also necessary to install a faucet (diameter  $\frac{3}{4}$ ) with tap water directly on the product to be stripped. Alternatively, it is possible to pick up water from another faucet through the water inlet pipe.

**PICTURE 04**



**NIPPLE**  
Water entrance to be connected to the Nipple.

**PRODUCT ENTRANCE**

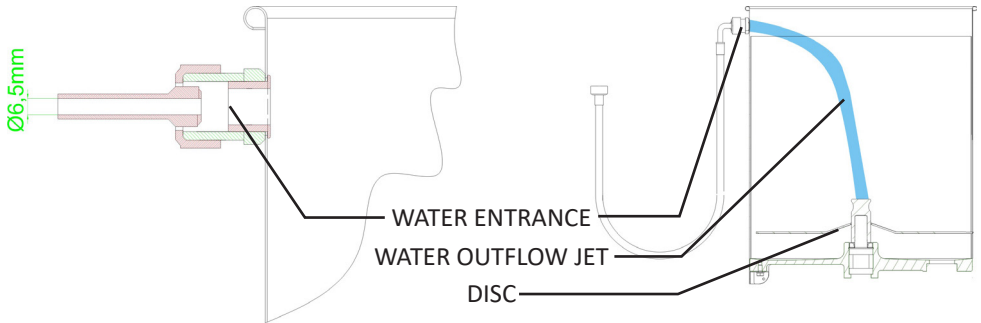
It is mandatory to let water flow directly on the product.

**WATER EXIT PIPE**  
For water and residues. Install the machine near a water sink.

The water outflow jet shall not drop beyond the disc centre as shown on Picture 05.

The water outflow shall not exceed 2.5 litres per minute.

**PICTURE 05**



## 2.2 Pre Operation

Before to use the equipment all parts to be in contact with the product shall be washed with water and neutral soap (see item 3.3 Cleaning).

Make sure the equipment is firm on its working place.

### **IMPORTANTE**

**Before starting processing, the products must be clean, without soil and without sand.**

## 3. Operation

### 3.1 Starting

To turn on your appliance you should follow the directions below:

- Plug the equipment to the electric network.
- 1 - Verify if the Lid No. 06 (Pic.01) is properly positioned.
- 2 - Press the ON/OFF Switch No. 04 (Pic.01) to position "I".

### 3.2 Operating Procedures

### **IMPORTANT**

**Never place the hand on the Disc while it is on movement.**

- Place the product inside the equipment.
- Close the Lid.



- Open the water flow.
- Start the equipment pressing the ON/OFF Switch to position "I".
- The Peeler has a maximum capacity of 6 Kg potatoes and the processing time is 1.2 to 2 minutes.
- It is possible to watch through the Lid the moment when the product is peeled. After the product is peeled, switch OFF the equipment and wait until the disc has stopped, then manually remove the potatoes.

### 3.3 Cleaning and Sanitizing

**IMPORTANT**  
**Unplug the machine from the electric network, before to start cleaning.**

The equipment shall be totally cleaned and sanitized:

- Before using it for the first time;
- Every day before closing the work shift;
- Always when it has not been in use for a long time;
- Before using after it has not been in use for a long time.

Some parts of the equipment may be removed:

- Disc # 07 (Pic.01)

To achieve a good machine cleaning, follow the instructions below:

1. Start the machine empty, and let it work during some minutes, adding abundant water.
2. Switch OFF the machine and unplug it. Wait for the Disc No.07 (Pic.01) to stop completely.
3. Clean the outside of the housing with a wet cloth.
4. Remove the Disc nNo. 07 (Pic.01).
5. Clean the Disc using a nylon brush and abundant water.
6. Replace the Disc inside the machine. Make sure to have the Disc fitting on the central shaft pin No. 02 (Pic.02).

All parts shall be washed with water and neutral soap.

**IMPORTANT**  
**Never spray water directly on to the equipment.**

### 3.4 Cautions with Stainless Steel

The Stainless Steel may present rust signs, which ARE ALWAYS CAUSED BY EXTERNAL AGENTS, especially when the cleaning or sanitization is not constant and appropriate.

The Stainless Steel resistance towards corrosion is mainly due to the presence of chrome, which in contact with oxygen allows the formation of a very thin protective coat. This protective coat is formed through the whole surface of the steel, blocking the action of external corrosive agents.

When the protective coat is broken, the corrosion process begins, being possible to avoid it by means of constant and adequate cleaning. Cleaning must always be done immediately after using the equipment. For such end, use water, neutral soap or detergent, and clean the equipment with a soft cloth or a nylon sponge. Then rinse it with plain running water, and dry immediately with a soft cloth, this way avoiding humidity on surfaces and especially on gaps.

The rinsing and drying processes are extremely important to prevent stains and corrosion from arising.

#### **IMPORTANT**

**Acid solutions, salty solutions, disinfectants and some sterilizing solutions (hypochlorites, tetravalent ammonia salts, iodine compounds, nitric acid and others), must be AVOIDED, once it cannot remain for long in contact with the stainless steel.**

These substances attack the stainless steel due to the CHLORINE on its composition, causing corrosion spots (pitting).

Even detergents used in domestic cleaning must not remain in contact with the stainless steel longer than the necessary, being mandatory to remove it with plain water and then dry the surface completely.

Use of abrasives:

Sponges or steel wool and carbon steel brushes, besides scratching the surface and compromising the stainless steel protection, leave particles that rust and react contaminating the stainless steel. That is why such products must not be used for cleaning and sanitization. Scrapings made with sharp instruments or similar must also be avoided.

Main substances that cause stainless steel corrosion:

Dust, grease, acid solutions such as vinegar, fruit juices, etc., saltern solutions (brine), blood, detergents (except for the neutral ones), common steel particles, residue of sponges or common steel wool, and also other abrasives.

## 4. General Safety Practices

### IMPORTANT

**If any recommendation is not applicable to your equipment, please ignore it.**

The following safety instructions are addressed to both the operator of the machine as well as the person in charge of maintenance.

The machine has to be delivered only in perfect conditions of use by the Distributor to the user. The user shall operate the machine only after being well acquainted with the safety procedures described in the present manual. **READ THIS MANUAL WITH ATTENTION.**

### 4.1 Basic Operation Procedures

#### 4.1.1 Dangers

Some areas of the electric device have parts that are connected or have parts connected to high voltage. These parts when touched may cause severe electrical shocks or even be lethal.

Never touch manual commands such as switches, buttons, turning keys and knobs with your hands wearing wet clothes and/or wet shoes. By not following these instructions operator could be exposed to severe electrical shocks or even to a lethal situation.

#### 4.1.2 Warnings

The operator has to be well familiar with the position of ON/OFF Switch to make sure the Switch is easy to be reached when necessary.

Before any kind of maintenance, physically remove plug from the socket.

Provide space for a comfortable operation thus avoiding accidents.

Water or oil spilled on the floor will turn it slippery and dangerous. Make sure the floor is clean and dry.

Before using any commands (switch, buttons, lever), be sure it is the correct one. In case of doubt, consult this manual.

Never touch any manual commands (switch, buttons, lever) unadvisedly.

If any work is to be made by two or more persons, coordination signs will have to be given for each operation step. Every step of the operation shall be taken only if a sign has been made and responded.

#### 4.1.3 Advices

In case of power shortage, immediately switch the machine off.

- Use recommended or equivalent lubricants, oils or greases.
- Avoid mechanical shocks, once they may cause damages or bad functioning.

- Avoid water, dirt or dust contact to the mechanical and electrical components of the machine.
- DO NOT change the standard characteristics of the machine.
- DO NOT remove, tear off or maculate any safety or identification labels stuck on the machine. If any labels have been removed or are no longer legible, contact your nearest dealer for replacement.

## 4.2 Safety Procedures and Notes before Switching the Machine ON

### **IMPORTANT**

**Carefully read ALL INSTRUCTIONS of this manual before turning the machine ON. Be sure to well understand all the information contained in this manual. If you have any question contact your supervisor or your nearest Dealer.**

#### 4.2.1 Danger

An electric cable or electric wire with damaged jacket or bad insulation might cause electrical shocks as well as electrical leak. Before use, check the conditions of all wires and cables.

#### 4.2.2 Advices

Be sure to well understand all the information contained in this manual. Every operation function or procedure has to be thoroughly clear.

Before using any commands (switch, buttons, lever), be sure it is the correct one. In case of doubt, consult this manual.

#### 4.2.3 Precautions

The electric cable has to be compatible with the power required by the machine.

Cables touching the floor or close to the machine need to be protected against short circuits.

The oil reservoirs have to be filled until the indicated level. Check and refill if necessary.

### **OBSERVATION**

**For your own safety read all the machine stickers.**

## **4.3 Routine Inspection**

### **4.3.1 Advice**

When checking the tension of the belts or chains, DO NOT insert your fingers between the belts and the pulleys and nor between the chain and the gears.

### **4.3.2 Precautions**

Check the motor and sliding or turning parts of the machine in case of abnormal noises.

Check the tension of the belts and chains and replace the set when belts or chains show signs of wearing.

When checking the tension of belts or chains DO NOT insert your fingers between belts and pulleys, nor between the chains and gears.

Check protections and safety devices to make sure they are working properly.

## **4.4 Operation**

### **4.4.1 Warnings**

Do not use the machine with long hair that could touch any part of the machine. This might lead to a serious accident. Tie your hair up well and/or cover it with a scarf.

- Only trained or skilled personnel shall operate this machine.
- Never touch turning parts with your hands or any other way.
- NEVER operate the machine without any original safety devices under perfect conditions.

## **4.5 After Finishing The Work**

### **4.5.1 Precautions**

Always TURN THE MACHINE OFF before cleaning by removing the plug from the socket.

Never clean the machine unless it has come to a complete stop.

Put all the components back to their functional positions before turning the machine ON again.

Check the level of oil.

Do NOT insert your fingers in between belts and pulleys nor chains and gears.

## **4.6 Maintenance**

### **4.6.1 Danger**

Any maintenance with the machine in working situation is dangerous.

TURN IT OFF BY PULLING THE PLUG OFF THE SOCKET DURING MAINTENANCE.

#### **IMPORTANT**

**Always remove the plug from the socket in any emergency situation.**

## **4.7 Warning**

Electrical or mechanical maintenance has to be undertaken by qualified personnel.

The person in charge of maintenance has to be sure that the machine is under TOTAL SAFETY conditions when working.

## 5. Analysis and Problems Solving

### 5.1 Problem, causes and solutions

The appliances were designed to operate with the need of minimum maintenance but the natural wearing caused by longer use of the equipment may occasionally cause some malfunctions.

If any problem occurs with your equipment, the most common situations are listed below with recommended solutions.

### 5.2 Adjustments and components replacement

The Disc # 07 (Pic.01) is coated with ALUMINIUM OXIDE, responsible to wear the potatoes peel. After some time the Aluminium Oxide will be worn out and therefore the machine efficiency will drop.

Whenever it happens take the disc to Technical Assistance to renew the coat.

**TABLE 02**

PROBLEM	CAUSE	SOLUTION
- The machine does not start.	- Electric energy shortage. - Problem with the internal or external wiring.	- Check electric Energy source. - Call Technical Assistance.
- Burnt smell or smoke.	- Problem with the internal or external wiring.	- Call Technical Assistance.
The machine starts, but when the product is placed on the Disc, the Disc stops or turns slowly.	- Belts sliding. - Problem with the Electric motor".	- Call Technical Assistance. - Call Technical Assistance.
- Damaged Cord.	- Problem during transportation.	- Call Technical Assistance.
- Abnormal Noises.	- Problems with the bearings.	- Call Technical Assistance.

## 6. Maintenance

Maintenance must be considered a set of procedures with the purpose to keep the equipment best operating conditions, therefore increasing the equipment life and safety.

\* Cleaning – Check item 3.3 Cleaning.

\* Wiring – Check all wires regarding deteriorate conditions as well as all electric contacts (terminals) regarding tightening and corrosion.

\* Contacts – ON/OFF switch, emergency button, reset button, electronic circuits etc, check the equipment in order to assure that all components are correctly working and the equipment operation is normal.

\* Installation – Make sure the installation followed item 2.1 instructions.

1 - Each month check:

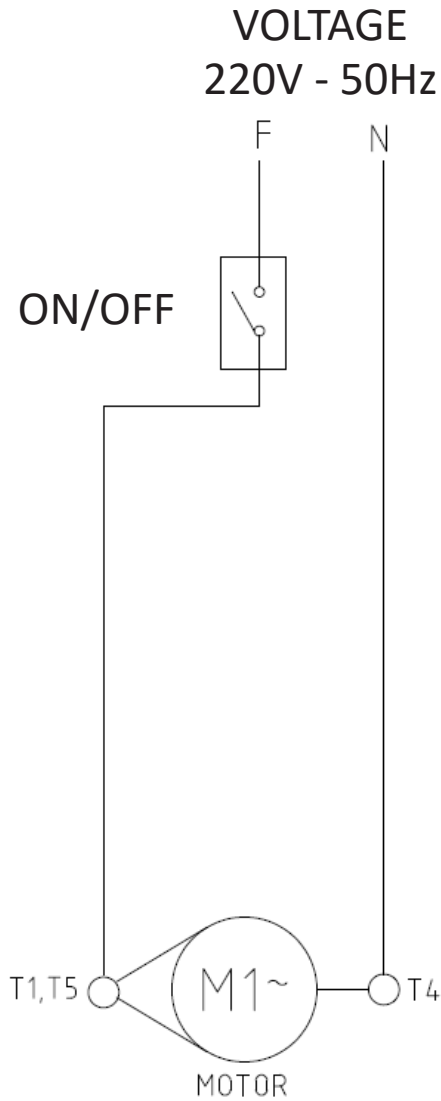
- Check the electrical installation;
- Measure the voltage at the socket;
- Measure the working current and match it with the nominal current;
- Check the tightening of all electric terminals to avoid bad contacts ;
- Check electric motor shaft clearance;
- Check the wiring for overeating, insulation failures and mechanical damages.

2 - Each three month checks:

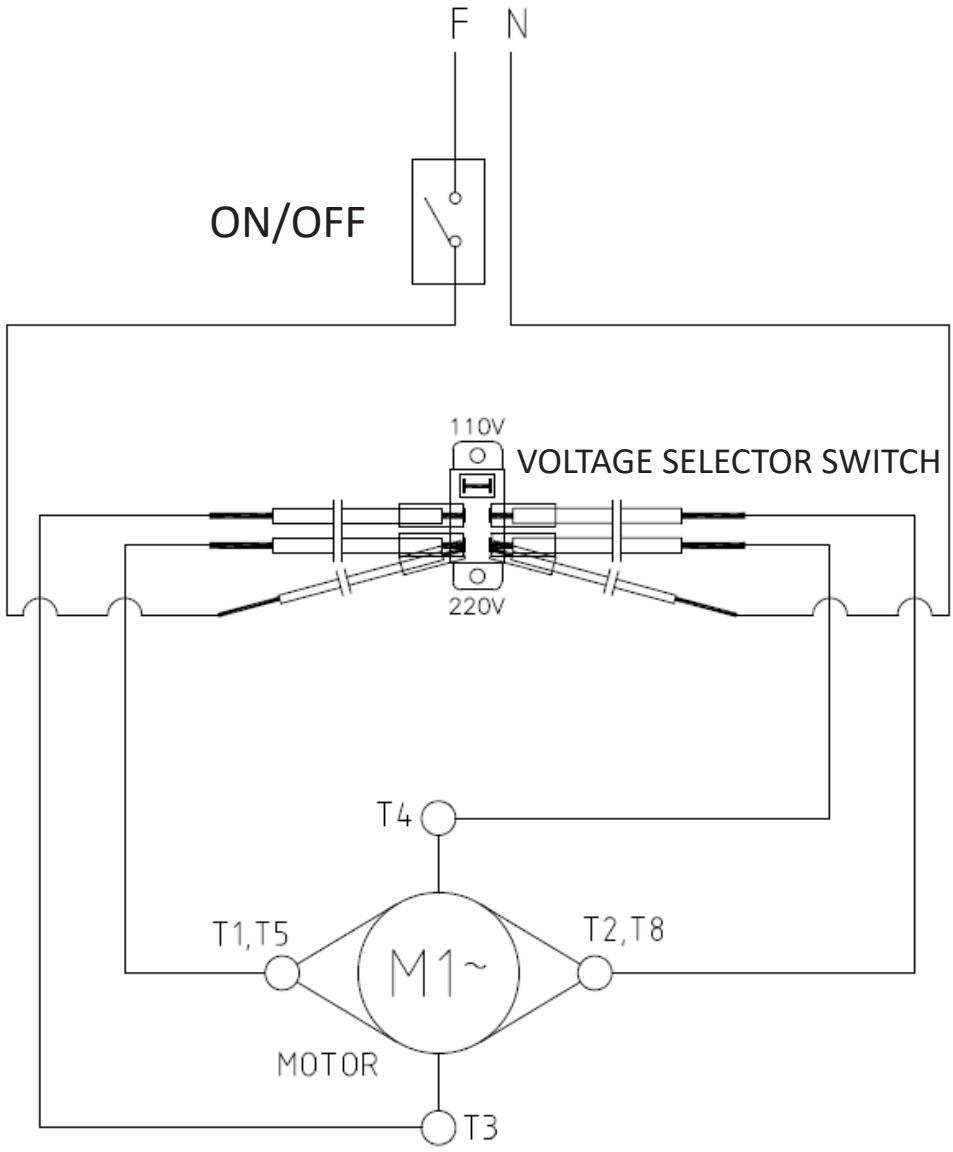
- Check electrical components such as ON/OFF switch, emergency button, reset button, electronic electric circuits, overeating, insulation failings, or mechanical damages.
- Check bearings clearances.
- Check retainers, O'rings, V'rings and other seals.
- Check that all screws and nuts are tight to avoid possible damage to the equipment.



## 7. Electric Diagram



# VOLTAGE 110/220V - 60Hz



# INDICE

<b>1. Introducción .....</b>	<b>20</b>
<b>1.1 Seguridad .....</b>	<b>20</b>
<b>1.2 Componentes Principales.....</b>	<b>22</b>
<b>1.3 Características Técnicas.....</b>	<b>23</b>
<b>2. Instalación y Pre Operación .....</b>	<b>23</b>
<b>2.1 Instalación .....</b>	<b>23</b>
<b>2.2 Pre Operación.....</b>	<b>25</b>
<b>3. Operación.....</b>	<b>25</b>
<b>3.1 Accionamiento.....</b>	<b>25</b>
<b>3.2 Procedimiento para la Operación.....</b>	<b>25</b>
<b>3.3 Limpieza y Higienización .....</b>	<b>26</b>
<b>3.4 Cuidados con los aceros inoxidables .....</b>	<b>27</b>
<b>4. Nociones Generales de Seguridad .....</b>	<b>28</b>
<b>4.1 Practicas Básicas de Operación .....</b>	<b>28</b>
<b>4.2 Cuidados y Observaciones Antes de Prender la Maquina .....</b>	<b>29</b>
<b>4.3 Inspección de Rutina.....</b>	<b>30</b>
<b>4.4 Operación.....</b>	<b>30</b>
<b>4.5 Después de Terminar el Trabajo .....</b>	<b>30</b>
<b>4.6 Mantenimiento.....</b>	<b>30</b>
<b>4.7 Avisos .....</b>	<b>31</b>
<b>5. Analisis y Resolución de Problemas .....</b>	<b>32</b>
<b>5.1 Problemas, Causas y Soluciones.....</b>	<b>32</b>
<b>6. Mantenimiento.....</b>	<b>33</b>
<b>7. Diagrama Eléctrico .....</b>	<b>34</b>

# 1. Introducción

## 1.1 Seguridad

Este artefacto es potencialmente PELIGROSO cuando se utiliza incorrectamente. Es necesario que la manutención, limpieza y/o cualquier servicio, sea realizado por una persona calificada y con el equipamiento desconectado de la red eléctrica.

Las instrucciones a continuación deberán ser seguidas para evitar accidentes:

1.1.1 Lea todas las instrucciones.

1.1.2 Para evitar el riesgo de descarga eléctrica y daños al artefacto, nunca lo utilice con: ropas o pies mojados e/o en superficies húmeda o mojadas; no sumerja en agua o en cualquier otro líquido y no utilice chorro de agua directamente en el equipamiento.

1.1.3 El uso de cualquier equipamiento debe ser siempre supervisado, principalmente cuando se utilice próximo de niños.

1.1.4 Desenchufe el artefacto de la red eléctrica cuando: no esté en uso, antes de limpiarlo, inserción o extracción de accesorios, manutención y cualquier otro tipo de servicio.

1.1.5 No use el equipo cuando tenga el cable o el enchufe dañado. No deje que el cable de alimentación se quede en el borde de una mesa, o que toque superficies calientes.

1.1.6 Cuando el equipo se haya caído, estuviera dañado de alguna manera ó no funcione llévelo hasta una Asistencia Técnica para revisión y reparo.

1.1.7 Usar accesorios no recomendados por el fabricante puede proporcionar lesiones corporales.

1.1.8 Mantenga las manos ó cualquier otro objeto lejos de todas las partes en movimiento mientras el equipo estuviera funcionando para evitar lesiones corporales y/ó daños al equipo.

1.1.9 Nunca use ropas con mangas anchas, principalmente cerca de los puños, durante la operación.

1.1.10 Certifíquese que la tensión del equipo y de la red eléctrica sean iguales , y que el equipo esté aterrado.

1.1.11 Cuando colocar el Disco No. 07 (Fig.01) verifique su perfecto encaje en el Perno del Eje Central No 02 (Fig.02).

**IMPORTANTE**

Asegúrese que el cable de alimentación esté en perfectas condiciones de uso. Si no lo está, reemplácelo por otro que atienda a las especificaciones técnicas y de seguridad.

Este reemplazo deberá ser realizado por un profesional calificado atendiendo las normas de seguridad local.

**IMPORTANTE**

Este equipo no es para ser utilizado por personas (inclusive niños) con capacidades físicas o mentales reducidas, o con falta de experiencia o conocimiento, a no ser que tengan recibido supervisión o instrucción referente al uso de este equipo por una persona responsable por la seguridad del mismo.

**IMPORTANTE**

Recomendamos que se vigile a los niños para no permitirles jugar con la máquina

**IMPORTANTE**

En caso de emergencia, retire el enchufe del tomacorriente.

**IMPORTANTE**

Nunca use chorros de agua directamente sobre el equipo.

## 1.2 Componentes Principales

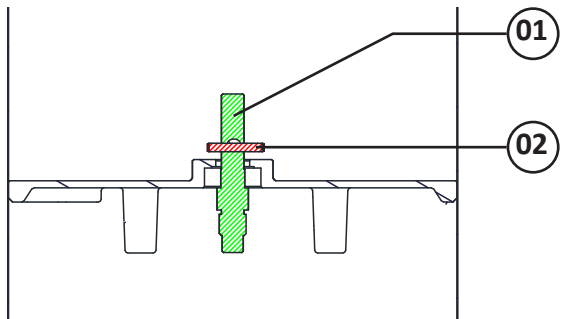
Todos los componentes que incorporan la maquina son construidos con materiales cuidadosamente seleccionados para su función, dentro de los padrones de prueba y de la experiencia de SKYMSSEN.

**FIGURA 01**



**FIGURA 02**

01 – Eje central  
02 – Perno del Eje Central



## 1.3 Características Técnicas

**TABLA 01**

CARACTERÍSTICAS	UNIDAD	DB-06	DB-06
Producción Mediana	kg/h	hasta 120	hasta 120
Tensión	V	110/220	220
Frecuencia	Hz	60	50
Potencia	W	380	380
Altura	mm	590	590
Ancho	mm	375	375
Profundidad	mm	400	400
Peso Neto	kg	17,5	17,5
Peso Bruto	kg	19,5	19,5
Capacidad de Carga	kg	06	06

(\*) La frecuencia será única, de acuerdo con el motor que equipe la máquina.

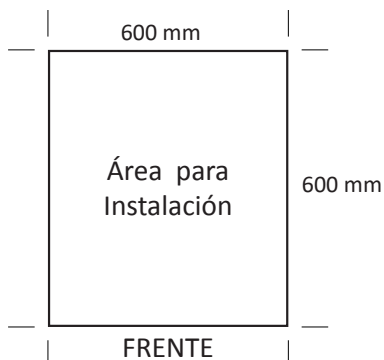
## 2. Instalación y Pre Operación

### 2.1 Instalación

#### 2.1.1 Posicionamiento

El equipo debe ser colocado y nivelado sobre una superficie seca y firme.

**FIGURA 03**



### 2.1.2 Instalación Eléctrica

Verifique el voltaje de la red eléctrica para ver se es 110 ó 220V (60Hz) ó 220 V (50Hz).

Si necesario, ajuste el equipo a la tensión deseada. Para hacerlo, retire la tapa de goma ubicada en la parte inferior de la base del equipo No. 08 (Fig.01) y ajuste el interruptor a la tensión deseada.

El cable de alimentación posee un enchufe con dos clavillos redondos y un clavillo plano (aterramiento) es obligatorio que los tres estén debidamente conectados antes de usar el equipo.

#### **IMPORTANTE**

**Certifíquese de que la tensión de la red eléctrica es la misma de la tensión indicada en la etiqueta del cable de alimentación.**

### 2.1.3 Instalación Hidráulica

Recomiendase instalar la maquina cerca de un desagadero o canalizar la salida del agua. Es también necesario instalar un grifo (diámetro  $\frac{3}{4}$ ) con agua corriente directamente sobre el producto que se desee descascarar. Como alternativa , es posible captar el agua por otro grifo a través del tubo de entrada de agua.

**FIGURA 03**

**NIPPLE**

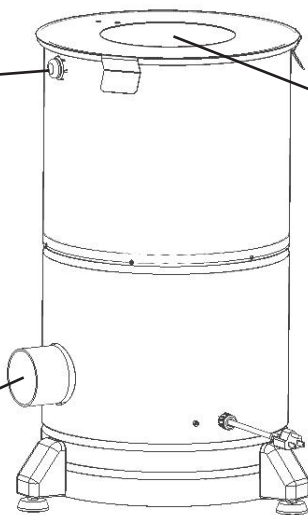
Entrada de agua, a través de un tubo.

**ENTRADA DEL PRODUCTO**

Es obligatoria la entrada de agua corriente directamente sobre el producto.

**SALIDA DE AGUA Y DE LOS RESIDUOS**

Instale la maquina y canalize el agua para un desagadero.



El chorro de agua que entra no debe pasar el centro del disco, como representado en la figura 04.

El flujo de agua debe ser en el máximo de 2,5 l por minuto.



**FIGURA 04**



## 2.2 Pre Operación

Antes de usar el equipo se debe lavar todas las partes que entren en contacto con el producto con agua y jabón neutro (vea ítem 3.3 Limpieza).

Certifíquese que la Peladora de Papas esté firme en su lugar de trabajo.

### IMPORTANTE

**Antes de iniciar el procesamiento, los productos deben estar limpios, sin tierra y sin arena.**

## 3. Operación

### 3.1 Accionamiento

Para prender el equipo proceda como abajo:

- Coloque el enchufe en la toma de la red eléctrica.
- 1 - Verifique si la Tapa No. 06 (Fig.01) esté colocada correctamente.
- 2 - Presione la Llave Prende/Desliga No. 04 (Fig.01) en la posición "I".

### 3.2 Procedimiento para la Operación

### IMPORTANTE

**En ninguna circunstancia toque con la mano el Disco mientras el esté en movimiento.**

- Coloque el producto a ser descascarado dentro el equipo.
- Fixe a Tampa N° 06 (Fig. 01) em seu devido lugar.
- Abra el agua.
- Prenda el equipo con la Llave Prende/Desliga No.04 (Fig.01) poniéndola en la posición "I" (prende).

- La peladora tiene una capacidad máxima de 6 Kg de papas y el tiempo estimado para la operación es de 1,2 a 2 minutos.

- Es posible observar cuando el producto estuviera descascarado a través de la abertura existente en la Tapa No.06 (Fig.01). Después de se ter o producto descascarado, desligue o equipamento e espere até que o disco esteja completamente parado e retire o produto manualmente.

### 3.3 Limpieza y Higienización

#### **IMPORTANTE**

**Retire el enchufe de su toma antes de iniciar la limpieza.**

El equipo debe ser totalmente limpio y higienizado, cuando:

- Antes de la utilizarlo por la primera vez;
- Todos los días después del turno de trabajo;
- Siempre que no utilizarlo por un largo período de tiempo;
- Antes de ponerlo en operación después de un largo período de tiempo de inactividad.

- Algunas partes pueden ser removidas para la limpieza:

- Disco No. 07 (Fig.01)

Para hacer una buena limpieza de la maquina siga las siguientes instrucciones:

1. Prenda la maquina en vacío y hágala trabajar por algunos minutos, dejándole escurrir agua en abundancia;
2. Desligue la maquina de la red eléctrica y espere que el disco No.07 (Fig.01) esté completamente parado.
3. Pase un paño húmedo en la parte externa de la maquina.
4. Retire la Tapa No.06 (Fig.01) y levante el disco No.07 (Fig.01).
5. Use un cepillo con dientes de nylon y agua abundante para limpiar el disco.
6. Recoloque el disco y la tapa al terminar la limpieza. Tenga cuidado para que el disco se encaje en el perno del eje central No.02 (Fig 02).

Lave todas las partes con agua y jabón neutro.

#### **IMPORTANTE**

**Nunca use chorros de agua directamente sobre la maquina.**

### 3.4 Cuidados con los aceros inoxidable

Los aceros inoxidable pueden presentar puntos de “corrosión”, que SIEMPRE SON PROVOCADOS POR AGENTES EXTERNOS, principalmente cuando el cuidado con la limpieza o higienización no sea constante y adecuado.

La resistencia a la corrosión del acero inoxidable se debe principalmente a la presencia del cromo que, en contacto con el oxígeno, permite la formación de una finísima capa protectora. Esta capa protectora se forma sobre toda la superficie del acero, bloqueando la acción de los agentes externos que provocan la corrosión.

Cuando la capa protectora sufre un rompimiento, el proceso de corrosión es iniciado, pudiendo ser evitado a través de la limpieza constante y adecuada.

Inmediatamente después de la utilización del equipamiento, es necesario proceder con la limpieza, utilizando agua, jabón o detergentes neutros, aplicados con un paño suave o esponja de nylon. A seguir, enjuagar con agua corriente, se debe enjuagar e, inmediatamente secar, con un paño suave, evitando la permanencia de humedades en las superficies y principalmente en las grietas.

El enjuague y el secado son extremadamente importantes para evitar el apareamiento de huellas o corrosiones.

#### **IMPORTANTE**

**Soluciones ácidas, soluciones salinas, desinfectantes y determinadas soluciones para esterilizar (hipocloritos, sales de amoníaco tetravalente, compuestos de iodo, ácido nítrico y otros), deben ser EVITADAS por no poder permanecer mucho tiempo en contacto con el acero inoxidable.**

Visto que generalmente poseen CLORO en su composición, tales sustancias atacan el acero inoxidable, causando puntos de corrosión.

Mismo los detergentes utilizados en la limpieza doméstica, no deben permanecer en contacto con el acero inoxidable más de lo necesario, debiendo ser también removidos con agua y la superficie deberá ser completamente seca.

Uso de abrasivos:

Esponjas o estropajos de acero y cepillos de acero en general, además de rallar la superficie y comprometer la protección del acero inoxidable, dejan partículas que oxidan y reaccionan, contaminando el acero inoxidable. Por eso, tales productos no deben ser usados en la limpieza e higienización. Raspados hechos con instrumentos puntiagudos o similares también deberán ser evitados.

Principales sustancias que causan la corrosión de los aceros inoxidables: Polvos, grasas, engrases, aceites, soluciones ácidas como el vinagre, jugos de frutas u otros ácidos, soluciones salinas (salmuera), sangre, detergentes (excepto los neutros), partículas de aceros, residuos de esponjas o estropajos de acero común, además de otros tipos de abrasivos.

## 4. Nociones Generales de Seguridad

### IMPORTANTE

**Caso algun ítem de estas Nociones generales de Seguridad no sea aplicable a su producto no lo considere.**

Las Nociones Generales de Seguridad fueran preparadas para orientar y instruir adecuadamente a los operadores de las maquinas, así como aquellos que serán responsables por su mantenimiento.

La maquina solamente debe ser entregue al operador en buenas condiciones de uso, al que el operador debe ser orientado cuanto al uso y a la seguridad de la maquina por el Vendedor. El operador solamente debe usar la maquina con el conocimiento completo de los cuidados que deben ser tomados, luego de LEER ATENTAMENTE TODO ESTE MANUAL.

### 4.1 Practicas Básicas de Operación

#### 4.1.1 Peligros

Algunas partes del accionamiento eléctrico presentan puntos o terminales con altos voltajes. Cuando tocados pueden ocasionar graves choques eléctricos, o hasta la muerte de una persona.

Nunca toque un comando manual (botón, llave eléctrica, palancas etc.) con las manos, zapatos o ropas mojadas, no obedecer esta recomendación, también podrá provocar choques eléctricos, o hasta la muerte de una persona.

#### 4.1.2 Advertencias

El local de la llave prende/apaga debe ser bien conocido, para que sea posible accionarla a cualquier momento sin la necesidad de procurarla.

Antes de cualquier manutención desconecte la maquina de la red eléctrica.

Proporcione espacio suficiente para evitar caídas peligrosas.

Agua o aceite podrán hacer resbaloso y peligroso el piso. Para evitar accidentes, el piso debe estar seco y limpio.

Antes de accionar cualquier comando manual (botones , llaves eléctricas , palancas , etc.) verifique siempre si el comando es el correcto, o en caso de dudas, consulte este Manual .

Nunca toque ni accione un comando manual (botones, llaves eléctricas, palancas etc) por acaso.

Si un trabajo debe ser hecho por dos o más personas, señales de coordinación deben ser dados antes de cada operación. La operación siguiente no debe ser comenzada sin que la respectiva señal sea dada y respondida.

#### 4.1.3 Avisos

En el caso de falta de energía eléctrica, desligue inmediatamente la llave prende/apaga. Use solamente óleos lubricantes o grasas recomendadas o equivalentes.

Evite choques mecánicos , ellos pueden causar fallas o malo funcionamiento.

Evite que agua, suciedad o polvo entren en los componentes mecánicos y eléctricos de la maquina.

NO ALTERE las características originales de la maquina.

NO SUCIE, RASGUE O RETIRE CUALQUIER ETIQUETA DE SEGURIDAD O DE IDENTIFICACIÓN.

Caso alguna esté ilegible o fuera perdida, solicite otra al Asistente Técnico mas cercano.

LEA ATENTAMENTE Y CON CUIDADO LAS ETIQUETAS DE SEGURIDAD Y DE IDENTIFICACIÓN CONTENIDAS EN LA MAQUINA , ASÍ COMO LAS INSTRUCCIONES Y LAS TABLAS TÉCNICAS CONTENIDAS EN ESTE MANUAL

## 4.2 Cuidados y Observaciones Antes de Prender la Maquina

### **IMPORTANTE**

**Lea con atención y cuidado las INSTRUCCIONES contenidas en este Manual, antes de prender la maquina. Certifíquese que entendió correctamente todas las informaciones. En caso de duda, consulte su superior o el Vendedor.**

#### 4.2.1 Peligro

Cables o hilos eléctricos con aislamiento dañado, pueden provocar choques eléctricos. Antes de usarlos verifique sus condiciones.

#### 4.2.2 Avisos

Esté seguro que las INSTRUCCIONES contenidas en este Manual, estén completamente entendidas. Cada función o procedimiento de operación y de mantenimiento debe estar perfectamente claro. El accionamiento de un comando manual (botón, llave eléctrica, palanca, etc) debe ser hecho siempre después que se tenga la certitud de que es el comando correcto.

#### 4.2.3 Cuidados

El cable de alimentación de energía eléctrica de la maquina, debe tener una sección suficiente para soportar la potencia eléctrica consumida. Cables eléctricos que estuvieran en el suelo cerca de la maquina, deben ser protegidos para evitar corto circuitos.

## **4.3 Inspección de Rutina**

### **4.3.1 Aviso**

Al averiguar la tensión de las correas o de las cadenas, NO coloque los dedos entre las correas y las poleas, ni entre las cadenas y sus engranajes.

### **4.3.2 Cuidados**

Verifique los motores, correas, cadenas o engranajes y las partes deslizantes o girantes de la maquina, con relación a ruidos anormales.

Al verificar la tensión de las correas o de las cadenas, sustituya el conjunto, caso alguna correa, cadena o engranaje, tenga desgaste.

Verifique las protecciones y los dispositivos de seguridad para que siempre funcionen adecuadamente.

## **4.4 Operación**

### **4.4.1 Avisos**

No trabaje con pelo largo, que pueda tocar cualquier parte de la maquina, pues el mismo podría causar serios accidentes. Mantengalo recojido, ó cubralo con una gorra o pañuelo. Solamente operadores entrenados y calificados pueden operar la maquina.

Nunca toque con las manos o de cualquier otra manera, partes girantes de la maquina. JAMÁS opere la maquina, sin algún de sus accesorios de seguridad.

## **4.5 Después de Terminar el Trabajo**

### **4.5.1 Cuidados**

Al terminar el día de trabajo proceda con la limpieza de la maquina. Para tanto, desprendala físicamente de la toma.

Nunca limpie la maquina antes de su PARADA COMPLETA.

Recoque todos los componentes de la maquina en sus lugares, antes de prenderla otra vez. Con frecuencia controle la tensión de las correas o de las cadenas, NO coloque los dedos entre las correas y las poleas ni entre las cadenas y sus engranajes.

## **4.6 Mantenimiento**

### **4.6.1 Peligros**

Con la maquina prendida cualquier operación de mantenimiento es peligrosa. Desprendala

físicamente de la red eléctrica, durante toda la operación de mantenimiento.

Desligue o equipamento fisicamente da rede elétrica, durante toda a operação de manutenção.

#### **4.7 Avisos**

El mantenimiento eléctrico o mecánico debe ser hecho por una persona calificada para hacer el trabajo.

La persona encargada por el mantenimiento debe certificarse que la maquina trabaje bajo condiciones TOTALES DE SEGURIDAD.

## 5. Analisis y Resolución de Problemas

### 5.1 Problemas, Causas y Soluciones

Este equipo fue diseñado para que necesite un mínimo de mantenimiento. Sin embargo pueden ocurrir algunas irregularidades en su funcionamiento, debido al desgaste natural causado por su uso.

Caso haya algún problema con su maquina, verifique la Tabla – 02 abajo, donde están indicadas algunas soluciones recomendadas.

**TABLA 02**

<b>PROBLEMAS</b>	<b>CAUSAS</b>	<b>SOLUCIONES</b>
- La maquina no prende.	- Falta de energía eléctrica en la red. - Problemas en el circuito eléctrico interno o externo de la maquina.	- Verifique si hay energía eléctrica en la red - Llame la Asistencia Técnica.
- Olor a quemado ó humo.	- Problemas en el circuito eléctrico interno ó externo de la maquina.	- Llame la Asistencia Técnica.
- La maquina prende, sin embargo cuando el producto es colocado sobre el disco, este para o gira en baja rotación.	- Correa desliza. - Problema en el motor eléctrico.	- Llame la Asistencia Técnica.
- Cable eléctrico damnificado.	- Problema durante el transporte.	- Llame la Asistencia Técnica.
- Ruidos anormales.	- Rodamiento dañado.	- Llame la Asistencia Técnica.



## 6. Mantenimiento

El mantenimiento debe ser considerado como un conjunto de procedimientos con el objetivo de conservar el equipo en las mejores condiciones de funcionamiento propiciado un aumento de su vida útil y de su seguridad.

\* Limpieza – Verificar el ítem No.3.3 de este manual.

\* Cableado – Verifique todos los cables cuanto a su deterioración y todos los terminales cuanto a su aprieto y corrosión.

\* Contactos – Llave prende/desliga, botón de emergencia, botón rearme, circuitos electrónicos, etc Verifique el equipo para que todos los componentes estén funcionando correctamente, y que la operación del equipo sea normal.

\* Instalación – Verifique la instalación de su equipo de acuerdo con el ítem 2.1 de este manual.

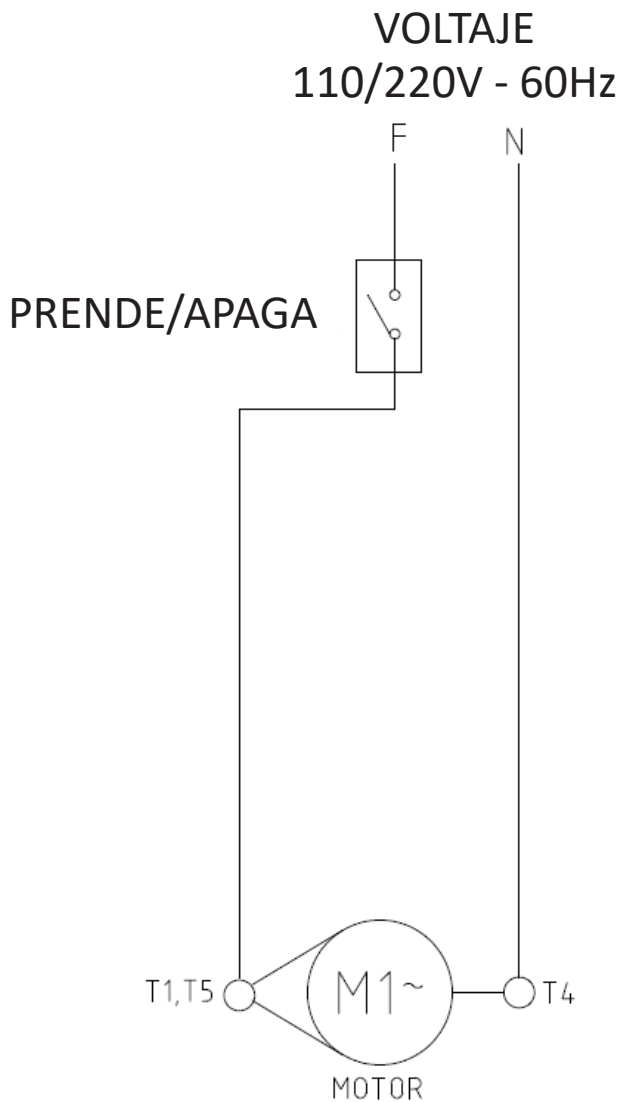
1 - Verificaciones a ejecutar mensualmente:

- Verificar la instalación eléctrica;
- Controlar la tensión de la toma eléctrica;
- Medir la corriente eléctrica y compararla con la corriente nominal;
- Verificar el aprieto de todos los terminales eléctricos para evitar malos contactos;
- Verificar posibles holguras del eje del motor eléctrico;
- Controlar el cableado eléctrico para identificar señales de sobrecalentamiento, aislamiento deficiente o avería mecánica.

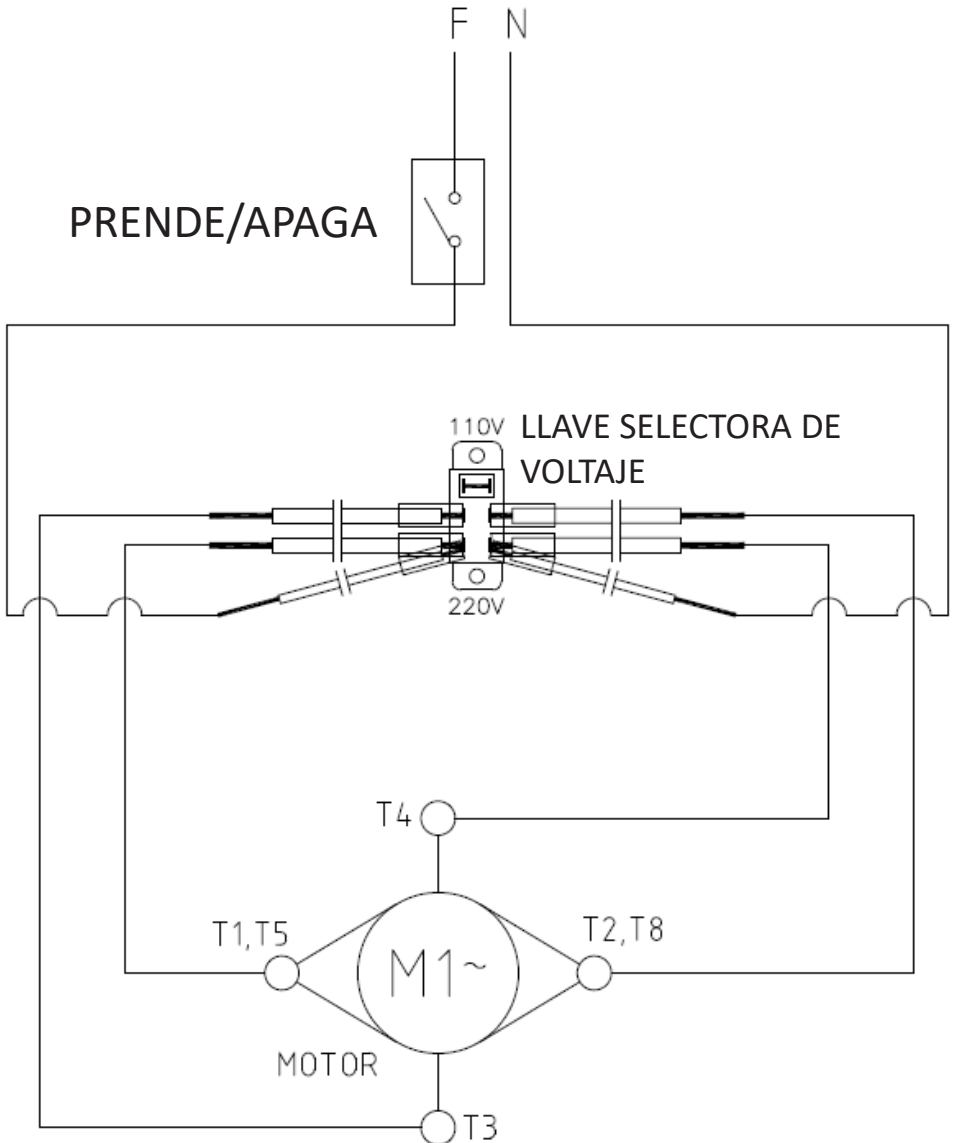
2 - Verificaciones a ejecutar cada tres meses:

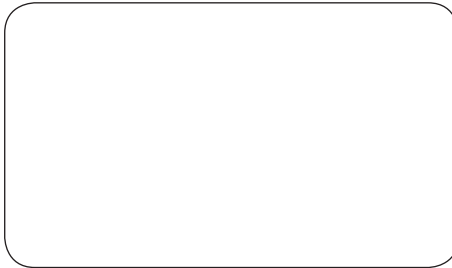
- Verificar los componentes eléctricos como la llave prende/desliga, botón de emergencia, botón rearme, y circuitos electrónicos con respecto a sobrecalentamiento, aislamiento deficiente o avería mecánica.
- Verificar posibles holguras en los ejes y rodamientos.
- Verificar retenedores, anillos O’ring , anillos V’ring, y otros sistemas de vedamiento.
- Verifique el aprieto de todos los tornillos y tuercas para evitar posibles daños al equipo.

## 7. Diagrama Eléctrico



VOLTAJE  
110/220V - 60Hz





Metalúrgica Skymssen Ltda.  
Rodovia Ivo Silveira 9525  
Volta Grande  
88355-202 Brusque/SC/Brasil  
[www.skymssen.com](http://www.skymssen.com) - Fone: +55 47 3211 6000  
CNPJ: 82.983.032/0001-19 - IE 250.064.537

69737.0 - ENGLISH/ESPAÑOL

Data de Correção: 12/11/2020

WWW.SKYMSEN.COM

---

- BESIDES THIS EQUIPMENT, A COMPLETE RANGE OF OTHER PRODUCTS ARE MANUFACTURED, CONSULT OUR DEALERS.  
- DUE TO THE CONSTANT IMPROVEMENTS INTRODUCED TO OUR EQUIPMENTS,  
THE INFORMATION CONTAINED IN THE PRESENT INSTRUCTION MANUAL MAY BE MODIFIED WITHOUT PREVIOUS NOTICE.