

# INSTRUCTIONS MANUAL MANUAL DE INSTRUCCIONES



FOOD PROCESSOR  
PROCESADORA DE ALIMENTOS

MODEL/MODELO  
**PA-7 PRO**

699948 - ENGLISH/ESPAÑOL  
Data de Revisão: 06/03/2023  
Metalúrgica Skymesen Ltda.  
Rodovia Ivo Silveira 9525  
Volta Grande  
88355-202 Brusque/SC/Brasil  
www.skymesen.com - Fone: +55 47 3211 6000  
CNPJ: 82.983.032/0001-19 - IE 250.064.537

# SUMMARY

<b>1. INTRODUCTION .....</b>	<b>2</b>
<b>1.1 Safety .....</b>	<b>2</b>
<b>2. COMPONENTS AND TECHNICAL CHARACTERISTICS .....</b>	<b>2</b>
<b>2.1 Available Discs .....</b>	<b>3</b>
<b>2.2 Discs Selection .....</b>	<b>3</b>
<b>3. INSTALLATION AND PRE-OPERATION .....</b>	<b>5</b>
<b>3.1 Positioning.....</b>	<b>5</b>
<b>3.2 Electrical Installation.....</b>	<b>5</b>
<b>3.3 Safety System .....</b>	<b>5</b>
<b>3.4 Discs Disassembly .....</b>	<b>5</b>
<b>3.5 Discs assembling.....</b>	<b>5</b>
<b>4. OPERATION.....</b>	<b>5</b>
<b>4.1 Starting.....</b>	<b>5</b>
<b>4.2 Operational Procedures .....</b>	<b>5</b>
<b>5. CLEANING .....</b>	<b>7</b>
<b>6. MAINTENANCE .....</b>	<b>7</b>
<b>7. PROBLEM SOLVING .....</b>	<b>8</b>
<b>8. ELECTRICAL DIAGRAM .....</b>	<b>9</b>

**1.1.4** Keep the hands or any other object away from moving parts while the equipment is in operation.

**1.1.5** Never wear clothes with loose sleeves, when operating the appliance.

**1.1.6** Check if the equipment tension is the same as the power grid and that it is accordingly connected to the grounding network.

⚠ This equipment shall not be used by children or any person with reduced physical or mental capacity, lack of experience or knowledge, unless they are under supervision or have received from the person responsible for safety, proper instructions on how to use the equipment.

⚠ Keep this equipment out of the reach of children.

⚠ Never introduce fingers or any objects that are not the Pushed in the Feeding Nozzle.

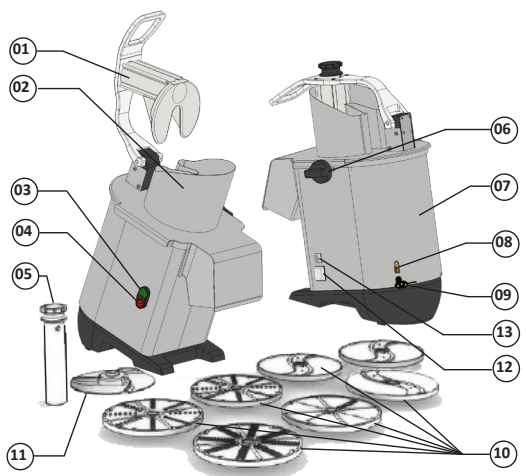
⚠ Unplug the equipment when: It is not in use, before to clean it, before to remove or to place some accessory during maintenance or any other service that is in operation.

⚠ Make sure the cord is in perfect working conditions, if not, change it for one in accordance to the local safety standards. Such change shall be made by qualified professional following the local safety standards. Do not operate the equipment if the cord or plug are damaged. Do not lean the cord on table edges, nor let them lie on hot surfaces.

⚠ In case of emergency, unplug the appliance from wall electrical outlet immediately.

## 2. COMPONENTS AND TECHNICAL CHARACTERISTICS

PICTURE 01



- |                        |                     |
|------------------------|---------------------|
| 01 – Large Food Pusher | 09 – Cable          |
| 02 – Chamber Lid       | 10 – Discs          |
| 03 – ON Switch         | 11 - Expeller Plate |
| 04 – OFF Switch        | 12 - General Switch |
| 05 – Small Food Pusher |                     |
| 06 – Lock Lid          |                     |
| 07 – Housing           |                     |
| 08 – Grounding         |                     |

## 1. INTRODUCTION

This product was developed to be used in commercial kitchens. It is used, for example, in restaurants, cafeterias, hospitals, bakeries, butlers and others.

For the use of this equipment, it is not recommended that:

- The production process be done continuously, in industrial scale;
- The workplace be with corrosive or explosive atmosphere, or contaminated with water, steam, dust or gas.

### 1.1 Safety

To avoid accidents, seizures and damages to the equipment, follow the instructions below:

**1.1.1** Never use it with wet clothes or shoes and/or standing on wet floors. Do not plunge it into water nor any other liquid, do not spray water directly to the equipment.

**1.1.2** When the equipment is in operation the operator shall supervise it, principally when children might be near.

**1.1.3** Do not use spare parts that are not Recommended by the manufacturer.

**CHART 01**

CHARACTERISTICS	UNIT	PA7 PRO
Voltage	V	110 / 220
Frequency	Hz	60
Nominal Power	W	600
Motor Power	HP	0.5
Height	mm	580
Width	mm	290
Depth	mm	520
Net Weight	Kg	27.8
Gross Weight	Kg	32.0

The chart below shows the dimensions of equipment to the installation.

**CHART 02**

Height (open lid)	850 mm
height (closed lid)	580 mm
Width (open lid)	540 mm
Width (closed lid)	280 mm
Length	538 mm
Height up to exit	185 mm

## 2.1 Available Discs

**CHART 03**

SUPPLIED DISCS WITH THE EQUIPMENT	
DENOMINATION	MODEL
SLICER DISC - 1 mm	E1
SLICER DISC - 3 mm	E3
GRATER DISC - 3 mm	Z3
GRATER DISC - 5 mm	Z5
GRATER DISC - 8 mm	Z8
HARD GRATING DISC	V
JULIENNE DISC - 7x7 mm	H7

**CHART 04**

OPTIONAL DISCS	
(Sold Separately)	
DENOMINATION	MODEL
SLICER DISC - 2 mm	E2
SLICER DISC - 5 mm	E5
SLICER DISC - 8 mm	E8
SLICER DISC - 10 mm	E10
SLICER DISC - 14 mm	E14
JULIENNE DISC - 1,5x1,5 mm	H1,5
JULIENNE DISC - 3x3 mm	H3
JULIENNE DISC - 10x10 mm	H10
WAVY SHREDING DISC - 3 mm	W3
DICING BLADE - 8x8 mm	GC8 PRO
DICING BLADE - 10x10 mm	GC10 PRO
DICING BLADE - 14x14 mm	GC14 PRO
DICING BLADE - 20x20 mm	GC20 PRO

## 2.2 Discs Selection

### EXPPELLING PLATE

The expelling plate is responsible for expelling de product processed in the in the housing. It will Always have to be used no matter what disc is chosen.

### SHREDING DISCS - E.

Used to shered products (except fibered products).

### SLICER SCALLOP CUT - W.

Used to Slice products (except leaves), to result as scallop after the process.

### GRATER DISCS - Z.

Used to shred products that after being processed, will have

sections like half-moon.

### SQUARE SHREDING DISCS - H.

Used to shrede products that after being processed, will have square cuts.

### GRATER DISC - V

Used to grate products (except leaves).

**⚠ The CHART 05 (The Chart of selected cuts) suggests some types of cuts to the products that are commonly processed in kitchens and restaurants. The cutting results depend on the type and quality of the product to be processed.**

**CHART 05**

<b>CHART OF SELECTED CUTS</b>						
Food / Cut	Slices <b>E</b>	Wavy Slices <b>W</b>	Squared Sh. <b>H</b>	Grater <b>Z</b>	Grated <b>V</b>	Cubes
Zucchini	E1/E2/E3/E5/E8	W3	H1,5/H3/H7/H10	Z3/Z5/Z8		
Banana*	E3/E5					
Potato	E1/E2/E3/E5/E8	W3	H1,5/H3/H7/H10	Z3/Z5/Z8		E8+GC8 PRO / E10+GC10 PRO / E14+GC14 PRO
Beet	E1/E2/E3/E5/E8		H1,5/H3/H7/H10	Z3/Z5/Z8		E8+GC8 PRO / E10+GC10 PRO / E14+GC14 PRO
Nuts					V	
Onion	E1/E3/E5		H1,5/H3	Z3/Z5		E5+GC8 PRO / E8+GC8 PRO
Carrot*	E1/E2/E3/E5/E8	W3	H1,5/H3/H7/H10	Z3/Z5/Z8		E8+GC8 PRO / E10+GC10 PRO / E14+GC14 PRO
Chocolate					V	
Coconut				Z3/Z5/Z8	V	
Cabbage	E1/E2/E3					
Mushroom	E1/E2/E3/E5					
Lemon	E1/E2/E3/E5	W3				
Apple	E1/E2/E3		H3			
Toast					V	
Cucumber*	E1/E2/E3/E5/E8	W3	H1,5/H3	Z3/Z5		
Bell Pepper	E1/E2/E3/E5/E8	W3				E5+GC8 PRO / E8+GC8 PRO
Cheese				Z3/Z5/Z8	V	
Parmesan					V	
Radish	E1/E2/E3/E5/E8	W3	H1,5/H3	Z3/Z5/Z8		
Lettuce	E1/E2/E3/E5/E8		H3/H7/H10	Z3/Z5/Z8		
Orange	E3/E5					
Tomato	E1/E2/E3/E5					E5+GC8 PRO / E8+GC8 PRO
Papaya						E14+GC20 PRO
Melon						E14+GC20 PRO
Watermelon						E14+GC20 PRO

**\*For these products it is only recommended to use the small nozzle. The use of large nozzle will result in less quality in the product process.**

**⚠ The Dicing Grids ARE NOT RECOMMENDED to process the following products:**

- Beef, Chicken, Bacon, Sausages and bologna like products;
- Cheeses in General
- Products which are rich in fiber, such as ginger and palm tree center;
- Products which consistence is too rigid, such as Yuca, Sweet Potato and similar;

**IMPORTANT: Processing the products mentioned above, and similar, will lead to irreparable damage to the discs, grids and the machine itself, voiding any existent warranty.**

### 3. INSTALLATION AND PRE-OPERATION

#### 3.1 Positioning

This appliance must be positioned on a dry, steady and leveled position with a preferable height of 850mm.

#### 3.2 Electrical Installation

The electrical cable has 3 pins, the central one being the grounding. It's mandatory that all three pins are properly connected before starting the equipment.

This equipment was developed to work in 110 or 220 V. Before connecting the to the outlet, check the tension in the Feeding Cable tag.

#### 3.3 Safety System

For the safety of the operator, this equipment has three devices to turn off the machine and doing so prevent accidents.

a - The first one automatically turns off when removing the Lid. When returning to its position, the machine automatically works again.

b - The second device stops the machine when the large pusher is raised, opening the large nozzle. When returning the pusher to its position, the machine will work again automatically.

c - The third device turns off the machine motor in case of overheating. After some minutes the machine will cool and you can press Switch ON Button again.

#### 3.4 Discs Disassembly

Step 1: Open the Lid locks No. 1 (Pic. 03) and tilt the lid of the storage;

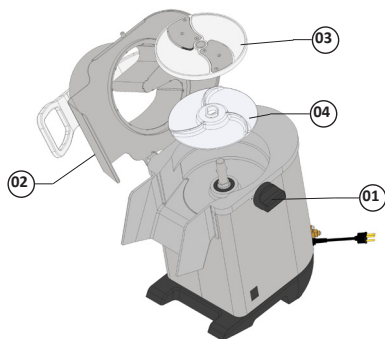
**⚠ Before placing the Lid of the Storage check if the disc is well fitted, avoiding damages to the equipment.**

**⚠ It is advised the use of the steel gloves to handle the shredding discs. The discs are sharp and can hurt the user.**

Step 2: Carefully remove the Disc No. 3 (Pic. 03), turning it in counter clockwise and pulling it up;

Step 3: Remove the Expelling plate No. 04 (Pic. 03), pulling it up.

FIGURA 03



#### 3.5 Discs assembling

Step 1: Fit the expelling disc N° 04 (Pic. 03);

Step 2: Carefully fit the disc N° 03 (Pic. 03), that was chosen to the processing;

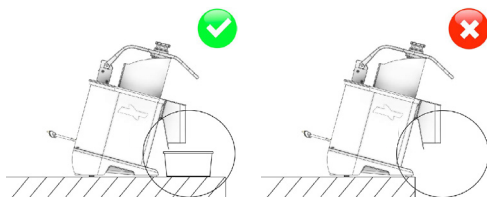
Step 3: Close the Chamber Lid N° 02 (Pic. 03);

Step 4: Lock the zips No. 01 (Pic. 03) of the lid to fix the Lid in its position.

### 4. OPERATION

**⚠ Never operate the equipment when close to the work surface.**

PICTURE 04



- Check if the equipment is firmly positioned in the work area.
- Before using this equipment, you should wash all parts that are in contact with the product to be processed, with water and mild detergent.

#### 4.1 Starting

Before starting the Food Processor:

- Check if the Lid is closed and locked;
- Check if the Small Pucher is correctly positioned inside the Nozzle;
- Check if the General Switch is in the position "I" on.

To start the equipment, follow the steps below:

Step 1: Press Switch Off to restart the equipment;

Step 2: Press Switch On to start the equipment;

After this procedure the appliance should turn on. In case this does not happen, check the possible causes and solutions in item 5 of the manual. (Analysis and Problem Solution).

#### 4.2 Operational Procedures

##### 4.2.1 Using only one disc

**⚠ The expelling plate must always be used, no matter the disc or grid that is being used. Before opening the lid, make sure the disc is fully stopped.**

All the discs must easily fit in the traction system, with only a little turning movement of the disc.

Any contact between the disc and the lid indicates a bad positioning of the disc.

The procedure for putting and removing the discs is described below:

1 - With the lid open, place the expelling plate to perfectly fit the facets that are present in the axle.

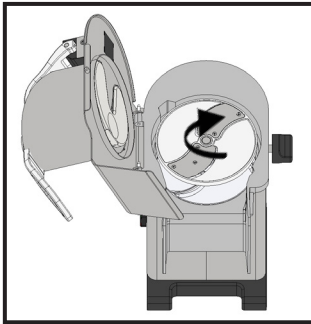
2 - Fit the disc in axle being careful with the selected disc blade, turning it softly in the counter clockwise position for perfect lock.

3 - Close the lid, making sure it's perfectly locked.

4 - To remove the disc, make the opposite process described before.

The disc removal and placing must be done according to the Picture 05.

**FIGURA 05**



Slicer Disc E5



Expeller Disc

#### 4.2.2 Using a disc with a grid

The grid must fit between the expelling disc and the disc, that must be completely clean to fir perfectly.

The grids must only be used with the shredding discs, according to the Chart 06:

**CHART 06**

Dicing Cutting Option

		CUBE GRID			
		GC8 PRO	GC10 PRO	GC14 PRO	GC20 PRO
DISCS	E5	5x8x8mm	5x10x10mm	5x14x14mm	5x20x20mm
	E8	8x8x8mm	8x10x10mm	8x14x14mm	8x20x20mm
	E10	*	10x10x10mm	10x14x14mm	10x20x20mm
	E14	*	*	14x14x14mm	14x20x20mm

\* It's not indicated the cut in cubes when the shredding disc is bigger than the cube grid.

You may find the procedure top lace or to remove the discs and grids below:

- 1 - When the machine is turned off and the disc is stopped, open the lid.
- 2 - Place the expelling disc being careful that it fits perfectly the existing axle facets.
- 3 - Place the grid in such a way that it fits into the cavity existing in the machine frame.
- 4 - Be careful with the selected disc blade, fit the disc in its axis turning it softly in the counter clockwise position for

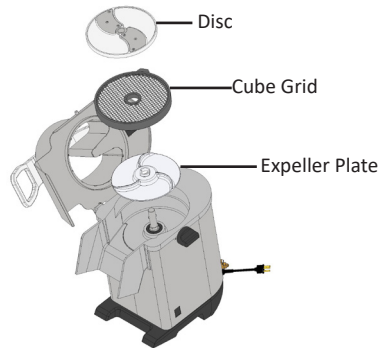
perfect lock.

5 - Close the lid and make sure that it is perfectly locked.

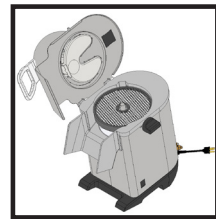
To remove the disc, make the opposite process described.

The disc removal and placing must be done according to the Picture 06 and 07.

**PICTURE 06**



**PICTURE 07**

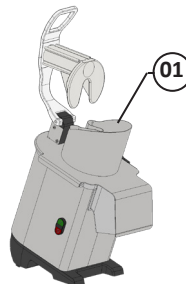


Cube Grid

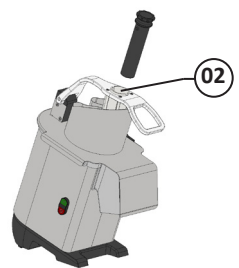
#### 4.2.3 Feeding the Processor

The Food Processor has two feeding nozzles, each one with its particularities.

**PICTURE 08**



**PICTURE 09**



- The Large Nozzle No. 01 (Picture 08) should be used to process bigger food quantities (ex.: onions and potatoes), for products with bigger dimension (cabbage, beet) and also to cut in a specific direction (ex.: limes and tomatoes).

- The Small Nozzle No. 02 (Picture 09) should be used to cut long products (carrots and coconuts).

**⚠ Always use the Pushers in their respective nozzles and never use other objects or hands to push food. In case of damage, loss of the pushers, ask for replacement with the Authorized Technical Assistance.**

**⚠ The products get out of the machine after being processed by gravity. It is important to clean the housing and Outlet Nozzle to avoid obstruction.**

Use Your QR Code Reader to access more information regarding safety and maintenance.



## 5. CLEANING

Step 1: Turn off the plug from the outlet.

Step 2: Disassemble the equipment (Item 3.5).

Step 3: Wash all the disassembling parts with warm water and mild soap.

**⚠ Never use water jets directly on the equipment, only wash the disassembling parts when they're disassembled.**

Step 4: When washing the discs, handle with care. Do not throw the discs one against the others or in other objects, to preserve the blades.

Step 5: Clean the Housing and the Discs Housing with wet fabric with warm water and mild soap.

Use Your QR Code Reader to access more information regarding the cares needed when handling stainless Steel.



## 6. MAINTENANCE

The maintenance must be a group of procedures that have the objective of keeping the appliance in its best condition of operation and increasing its life expectancy and safety.

\* Cleaning – Check the item 5 Cleaning of this Manual.

\* Electrical wiring – Check all the cables to avoid deterioration and all the electrical contacts about their tightening and corrosion.

\* Turn on and off button, emergency button, reset button, electric circuits, etc. Check the appliance so that all the components are working correctly and that the operation is working normally.

\* Installation – Check the installation of your appliance according to the item 2.1 Installation of this manual.

1 - Items to be verified and implemented monthly:

- Check the electrical installation;
- Check the outlet tension;
- Measure the operating current and compare it to the nominal one;
- Check all the electrical terminal tightening of the appliance, to avoid bad contact;
- Check the possible clearance of the shift of the electric motor;
- Check the wiring and the electric cable to avoid its overheating, deficient isolation and mechanical breakdown.

2 - Items to be verified and implemented every 3 months:

- Check the electric components as ON/OFF Switch, Emergency Button, Reset Switch, and electric circuit related to overheating, deficient isolation and mechanical breakdown.
- Check possible loosens in the bearings
- Check retainers, o' rings, v' rings and other sealing systems.
- Check that all screws and nuts are tight to avoid possible damage to the equipment.

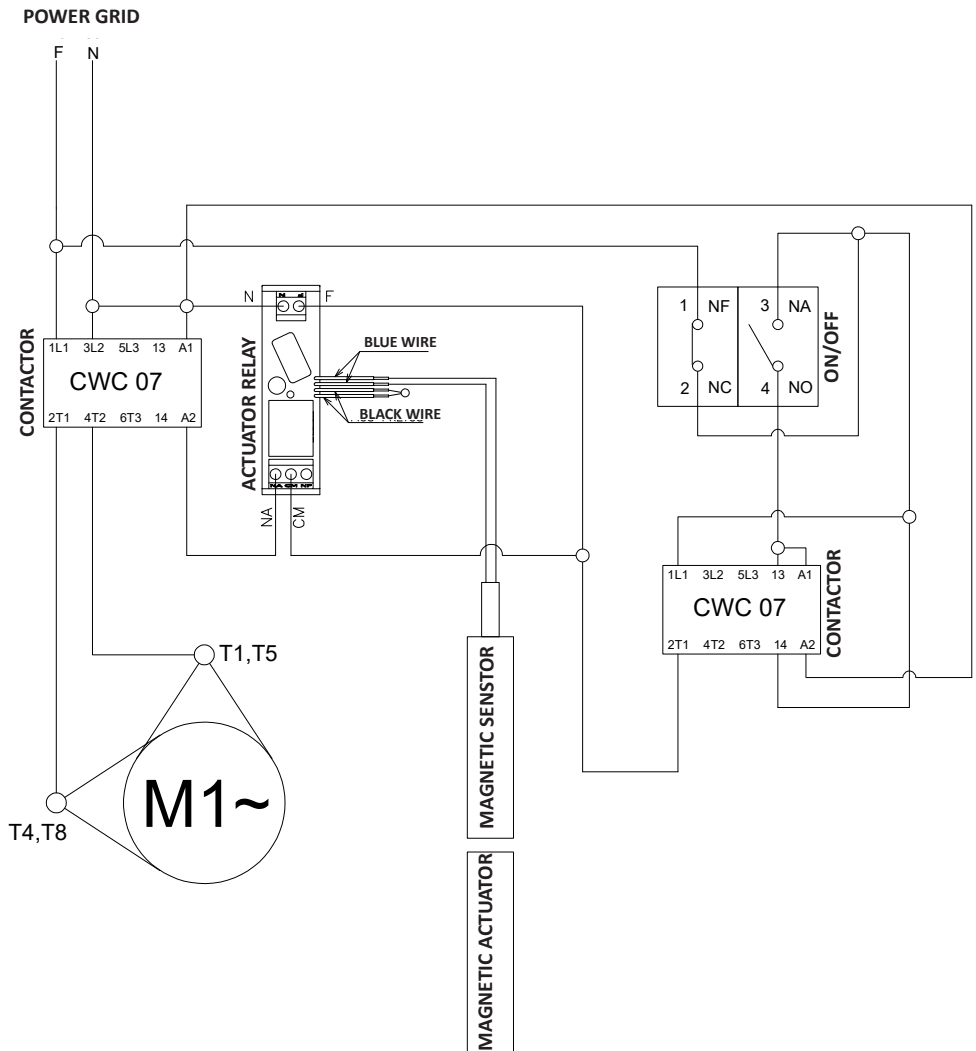
## 7. PROBLEM SOLVING

CHART 07

PROBLEMS	CAUSES	SOLUTIONS
- The equipment doesn't turn on.	<ul style="list-style-type: none"> <li>- Incorrect starting procedure;</li> <li>- Thermal protector working;</li> <li>- The Disc Housing Lid is open;</li> <li>- Problem with Internal or External Electrical circuit;</li> <li>- Lack of electrical energy.</li> </ul>	<ul style="list-style-type: none"> <li>- Read the item 3.1 - Starting the machine;</li> <li>- Wait for some minutes and start again;</li> <li>- Close the Lid;</li> <li>- Call the Authorized Assistance;</li> <li>- Check if there's electric power.</li> </ul>
- The machine starts, but when the product is placed on the equipment, it stops or turns slowly.	<ul style="list-style-type: none"> <li>- The belt is sliding.</li> <li>- The safety device of the Lid is not working;</li> <li>- Problems with the Electrical Motor.</li> </ul>	<ul style="list-style-type: none"> <li>- Adjust the belts tension;</li> <li>- Call the Authorized Assistance;</li> <li>- Call the Authorized Assistance.</li> </ul>
- The cut product is stuck inside the equipment.	<ul style="list-style-type: none"> <li>- Lack of expelling plate.</li> <li>- Outlet Nozzle is blocked.</li> </ul>	<ul style="list-style-type: none"> <li>- Place the Expelling Plate.</li> <li>- Unblock the Nozzle.</li> </ul>
- Burning or smoke smell.	<ul style="list-style-type: none"> <li>- Problem with Internal or External Electrical circuit.</li> </ul>	<ul style="list-style-type: none"> <li>- Call the Authorized Assistance.</li> </ul>
- Irregular cut.	<ul style="list-style-type: none"> <li>- The Blades are not cutting anymore.</li> </ul>	<ul style="list-style-type: none"> <li>- Sharpen the Blades.</li> </ul>
- Damaged Cable.	<ul style="list-style-type: none"> <li>- Problems in the shipping.</li> </ul>	<ul style="list-style-type: none"> <li>- Call the Authorized Assistance.</li> </ul>
- Abnormal noises.	<ul style="list-style-type: none"> <li>- Problems with the bearings.</li> </ul>	<ul style="list-style-type: none"> <li>- Call the Authorized Assistance.</li> </ul>



## 8. ELECTRICAL DIAGRAM



**NOTE:** To reverse the direction of rotation of the motor, replace the T5 wire with the T8 wire.

# INDICE

<b>1. INTRODUCCIÓN .....</b>	<b>10</b>
<b>1.1 Seguridad .....</b>	<b>10</b>
<b>2. COMPONENTS Y CARACTERÍSTICAS TÉCNICAS .....</b>	<b>10</b>
<b>2.1 Discos Disponibles .....</b>	<b>11</b>
<b>2.2 Selección de Discos .....</b>	<b>11</b>
<b>3. INSTALACIÓN Y PRÉ-OPERACIÓN..</b>	<b>13</b>
<b>3.1 Posicionamiento .....</b>	<b>13</b>
<b>3.2 Instalación Eléctrica .....</b>	<b>13</b>
<b>3.3 Sistema de seguridad.....</b>	<b>13</b>
<b>3.4 Desmontaje de los discos.....</b>	<b>13</b>
<b>3.5 Montaje de los Discos .....</b>	<b>13</b>
<b>4. OPERACIÓN .....</b>	<b>13</b>
<b>4.1 Accionamiento.....</b>	<b>13</b>
<b>4.2 Procedimiento para Operación .....</b>	<b>13</b>
<b>5. LIMPIEZA .....</b>	<b>15</b>
<b>6. MANUTENCIÓN .....</b>	<b>15</b>
<b>7. RESOLUCIÓN DE PROBLEMAS .....</b>	<b>16</b>
<b>8. DIAGRAMA ELECTRICO .....</b>	<b>17</b>

## 1. INTRODUCCIÓN

Este producto fue desarrollado para el uso en cocinas comerciales. Se utiliza en, por ejemplo, restaurantes, cantinas, hospitales, panaderías, carnicerías y similares.

La utilización de esta máquina no es recomendada cuando:

- El proceso de producción sea de forma continua en escala industrial;
- El local de trabajo sea un ambiente con atmósfera corrosiva, explosiva, contaminada con vapor, polvo o gas.

### 1.1 Seguridad

Para evitar accidentes, lesiones graves o daños a la máquina, se deberán tener en cuenta las siguientes instrucciones:

**1.1.1** Nunca utilice la máquina con ropas o pies mojados, así como tampoco sobre superficies húmedas o mojadas. Jamás la sumerja en agua ni dirección chorro de agua u otro líquido hacia la misma.

**1.1.2** Si la máquina ha sufrido una caída, está abollada, dañada o no enciende, es necesario llevarla a un Servicio Técnico Autorizado para revisión, reparación o ajuste.

**1.1.3** No use accesorios que no sean recomendados por el

fabricante.

**1.1.4** Mantenga las manos o cualquier utensilio alejados de las partes en movimiento.

**1.1.5** Nunca use ropas con mangas anchas, principalmente en los puños, durante la operación.

**1.1.6** Verifique que el voltaje de la máquina sea igual al de la red eléctrica y que la misma esté debidamente conectada a la descarga a tierra.

⚠ **Esta máquina no es apta para ser utilizada por niños ni personas con discapacidad física, sensorial o psíquica, o que carezcan de la experiencia y los conocimientos necesarios; excepto cuando lo hagan bajo la supervisión de una persona responsable de su seguridad o que hayan sido instruidos en el manejo.**

⚠ **Mantenga la máquina fuera del alcance de los niños.**

⚠ **Nunca introduzca los dedos ni partes locales de alimentación e descarga de alimentos. Utilice apenas los soquetes na alimentação.**

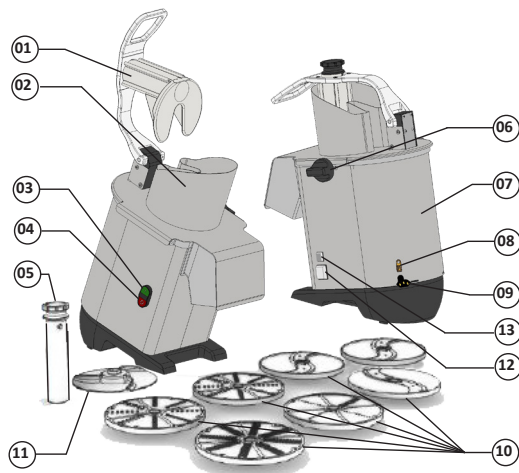
⚠ **Desconecte la máquina de la red eléctrica en las siguientes situaciones: cuando no esté en uso; antes de limpiarla; para la colocación o retirada de accesorios; durante la manutención o cualquier otro servicio que no sea la operación.**

⚠ **No utilice ninguna máquina que esté con el cable o enchufe dañado. No deje que el cable cuelgue del borde de la mesa o del mostrador ni que entre en contacto con superficies calientes.**

⚠ **En caso de emergencia, retire el enchufe del tomacorriente.**

## 2. COMPONENTS Y CARACTERÍSTICAS TÉCNICAS

FIGURA 01



- 01 – Empujador ancho
- 02 – Tapa del recipiente
- 03 – Interruptor encendido
- 04 – Interruptor apagado
- 05 – Empujador estrecho
- 06 – Traba de la Tapa
- 07 – Gabinete

- 08 – Conexión a tierra
- 09 – Cable de energía
- 10 – Discos
- 11 - Disco Expulsor
- 12 - Llave geral

**CUADRO 01**

CARACTERÍSTICAS	UNIDAD	PA7 PRO
Tensión	V	110 / 220
Frecuencia	Hz	60
Potencia Nominal	W	600
Potencia del Motor	CV	0,5
Altura	mm	580
Ancho	mm	290
Profundidad	mm	520
Peso Neto	Kg	27,8
Peso Bruto	Kg	32,0

El cuadro a seguir, contiene las dimensiones de la máquina para su respectiva instalación.

**CUADRO 02**

Altura (tapa abierta)	850 mm
Altura (tapa cerrada)	580 mm
Largura (tapa abierta)	540 mm
Largura (tapa cerrada)	280 mm
Largo	538 mm
Altura hasta la boquilla de salida	185 mm

## 2.1 Discos Disponibles

**CUADRO 03**

DISCOS SUMINISTRADOS CON LA PROCESADORA	
DENOMINACIÓN	MODELO
DISCO CORTADOR - 1 mm	E1
DISCO CORTADOR - 3 mm	E3
DISCO RALLADOR - 3 mm	Z3
DISCO RALLADOR - 5 mm	Z5
DISCO RALLADOR - 8 mm	Z8
DISCO RALLADOR FINO	V
DISCO JULIENNE - 7x7 mm	H7

**CUADRO 04**

DISCOS OPCIONALES	
(Vendidos Separadamente)	
DENOMINACIÓN	MODELO
DISCO CORTADOR - 2 mm	E2
DISCO CORTADOR - 5 mm	E5
DISCO CORTADOR - 8 mm	E8
DISCO CORTADOR - 10 mm	E10
DISCO CORTADOR - 14 mm	E14
DISCO JULIENNE - 1,5x1,5 mm	H1,5
DISCO JULIENNE - 3x3 mm	H3
DISCO JULIENNE - 10x10 mm	H10
DISCO CORTE ONDULADO - 3 mm	W3
REJILLA DE CORTE EN CUBOS - 8x8 mm	GC8 PRO
REJILLA DE CORTE EN CUBOS - 10x10 mm	GC10 PRO
REJILLA DE CORTE EN CUBOS - 14x14 mm	GC14 PRO
REJILLA DE CORTE EN CUBOS - 20x20 mm	GC20 PRO

## 2.2 Selección de Discos

### DISCO EXPULSOR

El disco expulsor es responsable por la expulsión del producto procesado en el Recipiente. Deberá ser usado independientemente del disco elegido.

### DISCOS CORTADORES - E.

Utilizados para rebanar productos (excepto hojas y productos muy fibrosos).

### DISCOS CORTADORES ONDULADOS - W.

Utilizados para rebanar productos (excepto hojas), cuyas rebanadas, una vez procesadas, tendrán forma ondulada.

### DISCOS RALLADORES - Z.

Utilizados para deshilar productos que luego de procesados

presentarán secciones media luna.

### DISCOS DESHILADORES CUADRADOS (JULIENE) - H.

Utilizados para deshilar productos que luego de procesados presentarán secciones cuadradas.

### DISCO RALLADOR FINO - V.

Utilizado para rallar productos (excepto hojas).

**⚠ El CUADRO 05 (Cuadro de selección de cortes) sugiere algunos tipos de cortes para los productos comúnmente procesados en cocinas y restaurantes. El resultado de los cortes va a depender del estado, del tipo y de la calidad del producto a procesar.**

**CUADRO 05**

<b>CUADRO DE SELECCIÓN DE CORTE</b>						
Alimento/ Corte	Rebanada E	Rebanada ondulada W	Deshilado cuadrado H	Rallado Z	Ral. Fino V	Cubos
Zapallito	E1/E2/E3/E5/E8	W3	H1,5/H3/H7/H10	Z3/Z5/Z8		
Banana*	E3/E5					
Patata	E1/E2/E3/E5/E8	W3	H1,5/H3/H7/H10	Z3/Z5/Z8		E8+GC8 PRO / E10+GC10 PRO / E14+GC14 PRO
Remolacha	E1/E2/E3/E5/E8		H1,5/H3/H7/H10	Z3/Z5/Z8		E8+GC8 PRO / E10+GC10 PRO / E14+GC14 PRO
Frutos secos					V	
Cebolla	E1/E3/E5		H1,5/H3	Z3/Z5		E5+GC8 PRO / E8+GC8 PRO
Zanahoria*	E1/E2/E3/E5/E8	W3	H1,5/H3/H7/H10	Z3/Z5/Z8		E8+GC8 PRO / E10+GC10 PRO / E14+GC14 PRO
Chocolate					V	
Coco				Z3/Z5/Z8	V	
Col	E1/E2/E3					
Seta	E1/E2/E3/E5					
Limón	E1/E2/E3/E5	W3				
Manzana	E1/E2/E3		H3			
Pan Tostado					V	
Pepino*	E1/E2/E3/E5/E8	W3	H1,5/H3	Z3/Z5		
Pimiento	E1/E2/E3/E5/E8	W3				E5+GC8 PRO / E8+GC8 PRO
Queso				Z3/Z5/Z8	V	
Parmesano					V	
Rabanito	E1/E2/E3/E5/E8	W3	H1,5/H3	Z3/Z5/Z8		
Repollo	E1/E2/E3/E5/E8		H3/H7/H10	Z3/Z5/Z8		
Naranja	E3/E5					
Tomate	E1/E2/E3/E5					E5+GC8 PRO / E8+GC8 PRO
Papaya						E14+GC20 PRO
Melón						E14+GC20 PRO
Sandía						E14+GC20 PRO

\* Para estos productos se recomienda solamente la utilización del vertedor de alimentos de boca estrecha. El uso del vertedor de boca ancha provocará una disminución en la calidad del procesamiento del producto.

**⚠ Los cortes con las REJAS CUBO no son indicados para:**

- Carne vacuna, pollo o fiambres;
- Quesos: mozzarella, queso mantecoso y queso duro tipo parmesano;
- Alimentos fibrosos: jengibre y palmito;
- Legumbres rígidos y secos: calabaza tipo kabocha, japonesa o bellota, así como yuca/mandioca y papa dulce;

**Observación:** El procesamiento de los alimentos arriba mencionados puede dañar las rejillas, los discos rebanadores y la procesadora.

### 3. INSTALACIÓN Y PRÉ-OPERACIÓN

#### 3.1 Posicionamiento

Su aparato debe ser posicionado sobre una superficie seca, firme y nivelada, con 850 mm de altura, preferencialmente.

#### 3.2 Instalación Eléctrica

Antes de conectar el enchufe al tomacorriente, compruebe el voltaje indicado en la etiqueta existente en el cable de alimentación.

Es obligatorio que los tres puntos de el enchufe estén debidamente conectados antes de poner en marcha el aparato.

#### 3.3 Sistema de seguridad

Para seguridad del operador, este aparato posee tres dispositivos capaces de apagar la máquina evitando así, posibles accidentes.

**a** - El primero apaga la máquina automáticamente al retirar la Tapa del Recipiente. Al regresarla a su posición, la máquina vuelve a funcionar de manera automática.

**b** - El segundo dispositivo interrumpe el funcionamiento de la máquina cuando el empujador ancho se levanta, abriendo el vertedor del mismo tamaño. Al retornar a su posición, la máquina vuelve a funcionar automáticamente.

**c** - El tercer dispositivo apaga el motor de la máquina en caso de sobrecalentamiento. Espere algunos minutos hasta que la máquina se enfríe y vuelva a encenderla presionando el interruptor Encendido.

#### 3.4 Desmontaje de los discos

Paso 1: Gire la traba de la tapa N° 01 (Fig.03) y bascule la tapa del recipiente N° 02 (Fig.03);

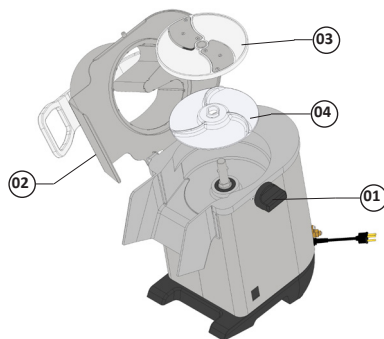
**⚠ Antes de colocar la Tapa del Recipiente, verifique si el disco está bien encajado, evitando así daños al aparato.**

**⚠ Se recomienda el uso de guantes de malla de acero para manipular los discos de corte. Sus bordes cortantes pueden herir al usuario.**

Paso 2: Retire cuidadosamente el Disco N° 03 (Fig.03), girándolo en sentido antihorario y jalándolo hacia arriba;

Paso 3: Retire el disco expulsor N° 04 (Fig.03), jalándolo hacia arriba.

FIGURA 03



#### 3.5 Montaje de los Discos

Paso 1: Encaje el disco expulsor N° 04 (Fig. 03);

Paso 2: Encaje cuidadosamente el Disco N° 03 (Fig. 03) escogido para procesar;

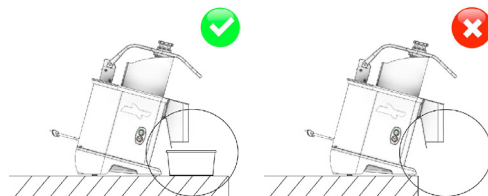
Paso 3: Cierre la Tapa del Recipiente N° 02 (Fig. 03);

Paso 4: Trabe los enganches de la tapa N° 01 (Fig. 03) a fin de fijarla en su posición.

### 4. OPERACIÓN

**⚠ Nunca opere el equipo cuando el mismo se encuentre en el borde de la mesa de trabajo.**

FIGURA 04



- Verifique que el equipo esté firme en su local de trabajo.
- Antes de usar la máquina, se deben lavar con agua y jabón neutro, todas las partes que entran en contacto con el producto a procesar.

#### 4.1 Accionamiento

Antes de encender el aparato, tenga en cuenta los siguientes ítems:

- Verifique si la Tapa del Recipiente está cerrada y debidamente trabada;
- Verifique si el Empujador estrecho está correctamente colocado dentro del Vertedor;
- Verifique si el Interruptor General está en la posición "I", encendido.

Para poner en marcha el equipo, presione el Interruptor Encendido.

#### 4.2 Procedimiento para Operación

##### 4.2.1 Usando solamente un disco

**⚠ El disco expulsor deberá utilizarse siempre, independiente del disco o rejilla que se esté usando. Antes de abrir la tapa del recipiente, asegúrese que el disco se haya detenido por completo.**

Todos los discos deben encajar fácilmente en el eje de tracción. Para ello, basta realizar un pequeño movimiento giratorio del disco.

Cualquier tipo de contacto entre el disco y la tapa del recipiente, indica una incorrecta colocación del disco.

A continuación, se describe el procedimiento para la colocación y extracción de los discos:

1 - Con la tapa abierta, coloque el disco expulsor, teniendo en cuenta que debe ser encajado perfectamente en las ranuras existentes en el eje.

2 - Encaje el disco seleccionado en el eje, tomando mucho cuidado con las cuchillas del mismo. Luego gírelo levemente

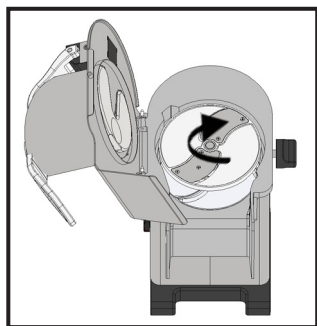
en sentido antihorario para obtener un enganche perfecto.

3 - Cierre la tapa del recipiente, asegurándose que quedó perfectamente trabada.

4 - Para extraer el disco, realice el procedimiento inverso al descrito anteriormente.

La colocación y extracción del disco se debe hacer según la Figura 05.

**FIGURA 05**



Disco Cortador E5



Disco Expulsor

#### 4.2.2 Usando un disco con rejilla

La rejilla debe encajarse entre el disco expulsor y el disco, los cuales deberán estar absolutamente limpios para un encaje perfecto.

Las rejillas deben utilizarse sólo con discos de corte, según el Cuadro 06:

**CUADRO 06**

Opciones de cortes en cubo

		REJILLA DE CORTE EN CUBO			
		GC8 PRO	GC10 PRO	GC14 PRO	GC20 PRO
DISCOS	E5	5x8x8mm	5x10x10mm	5x14x14mm	5x20x20mm
	E8	8x8x8mm	8x10x10mm	8x14x14mm	8x20x20mm
	E10	*	10x10x10mm	10x14x14mm	10x20x20mm
	E14	*	*	14x14x14mm	14x20x20mm

\* No se recomienda el corte en cubos cuando el disco de corte sea mayor que la rejilla.

A continuación, se describe el procedimiento de colocación y extracción de discos y rejillas:

1 - Con la máquina apagada y el disco parado, abra la tapa.

2 - Coloque el disco expulsor, teniendo en cuenta su encaje perfecto en las ranuras existentes en el eje.

3 - Coloque la rejilla de tal manera que la misma quede encajada en la cavidad existente en el recipiente de la máquina.

4 - Tomando cuidado con las cuchillas del disco seleccionado, encaje el mismo girándolo levemente en sentido antihorario a fin de obtener una traba perfecta.

5 - Cierre la tapa asegurándose que la misma quede perfectamente trabada.

Para extraer el disco, realice el procedimiento inverso al descrito anteriormente.

La colocación y extracción del disco se debe hacer según Figuras 06 y 07.

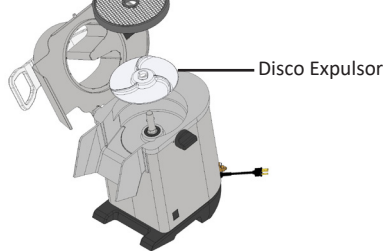
**FIGURA 06**



Disco

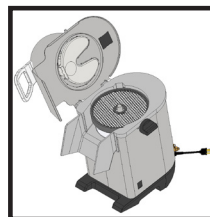


Rejilla Cubo



Disco Expulsor

**FIGURA 07**

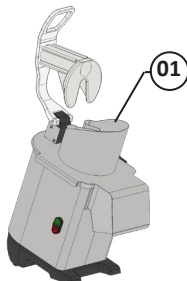


Rejilla Cubo

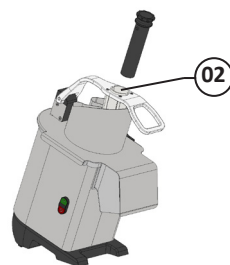
#### 4.2.3 Alimentando los Vertedores

La Procesadora de Alimentos posee dos vertedores de alimentación, cada uno con sus particularidades.

**FIGURA 08**



**FIGURA 09**



- El Vertedor de Boca Ancha N° 01 (Fig. 08) destinado al procesamiento de grandes cantidades de alimentos (ej.: cebollas y patatas), para productos más grandes (ej.: repollos

y remolachas) y también para cortes en determinada dirección (ej.: limones y tomates).

- El Vertedor de Boca Estrecha N° 02 (Fig. 09) destinado para el corte de productos alargados (ej.: zanahorias y cocos).

**⚠ Siempre use los Empujadores en sus respectivos vertedores y nunca use otros instrumentos para empujar los alimentos, mucho menos las manos. En caso de pérdida o extravío de Empujadores, solicite su repuesto al Servicio Técnico Autorizado.**

**⚠ La salida de productos ocurre por gravedad. Se debe efectuar regularmente la limpieza en el interior del Recipiente y en la boca de Salida a fin de evitar su obstrucción.**

## 5. LIMPIEZA

Paso 1: Desconecte el enchufe del tomacorriente.

Paso 2: Efectúe el desarme del aparato (Ítem 3.5).

Paso 3: Lave las partes desmontables con agua caliente y jabón neutro.

**⚠ Nunca use chorros de agua directamente sobre el aparato, sólo en las partes desmontables y una vez desarmadas.**

Paso 4: Al lavar los discos, manipúlelos con cuidado. Para preservar las cuchillas, no arroje los discos unos contra otros o en otros objetos.

Paso 5: Pase un paño humedecido con agua tibia y jabón neutro en el Gabinete y en el Recipiente de los Discos.

Pase el lector de **QR Code** para obtener informaciones sobre cuidados con los aceros inoxidables.



## 6. MANUTENCIÓN

La manutención comprende un conjunto de procedimientos con el objetivo de mantener el aparato en las mejores condiciones de funcionamiento, permitiendo el aumento de su vida útil y de la seguridad.

\* Limpieza – Verificar el ítem 3.3 “Limpieza” de este manual.

\* Cableado: Revise todos los cables para corroborar posible deteriorización y todos los contactos (terminales) eléctricos para verificar posibles aplastados y corrosión.

\* Contactos – Interruptor Encendido / Apagado, botón de emergencia, botón reset/restablecer, circuitos electrónicos, etc. Verifique el equipo para que todos los componentes funcionen correctamente y que la operación del aparato sea normal.

\* Instalación – Verifique la instalación de su aparato según el ítem 2.1 “Instalación” de este manual.

1 - Ítems a verificar y ejecutar mensualmente:

- Verificar la instalación eléctrica;
- Medir la tensión del tomacorriente;
- Medir la corriente de funcionamiento y comparar con la nominal;
- Verificar aprietes de todos los terminales eléctricos del aparato a fin de evitar posibles malos contactos;

- Verificar posibles holguras del eje del motor eléctrico;
- Chequear el cableado y el cable eléctrico cuando haya señales de supercalentamiento, aislación deficiente o avería mecánica.

2 - Ítems a verificar o ejecutar a cada 3 meses:

- Verificar componentes eléctricos como el Interruptor Encendido/Apagado, botón de emergencia, botón reset/reinicio y circuito electrónicos cuando haya señales de supercalentamiento, aislación deficiente o avería mecánica.
- Verificar posibles holguras en los cojinetes y rodamientos.
- Verificar retenes, anillos o’rings, anillos v’rings y demás sistemas de sellamiento.
- Verifique el apriete de todos los tornillos y tuercas para evitar posibles daños al equipo.

Pase el lector de QR Code para obtener informaciones sobre seguridad y mantenimiento.



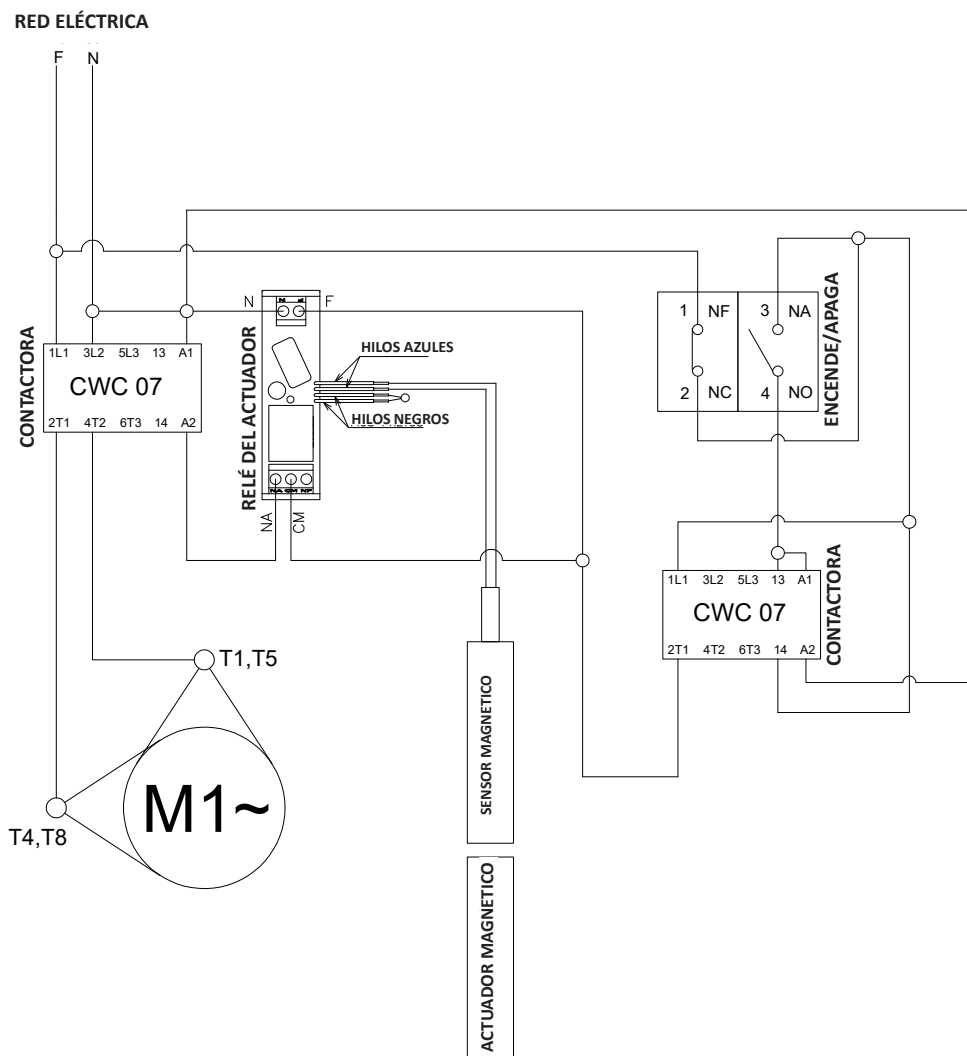
## 7. RESOLUCIÓN DE PROBLEMAS

CUADRO 07

PROBLEMAS	CAUSAS	SOLUCIONES
- El equipo no enciende.	<ul style="list-style-type: none"> <li>- Procedimiento de accionamiento incorrecto.</li> <li>- Protector térmico del motor está actuando.</li> <li>- La Tapa del Recipiente de los discos está abierta.</li> <li>- Problema en el circuito eléctrico interno o externo de la máquina.</li> <li>- Falta de energía eléctrica.</li> </ul>	<ul style="list-style-type: none"> <li>- Lea el ítem 3.1 - Accionamiento</li> <li>- Aguarde algunos minutos e intente nuevamente.</li> <li>- Cierre la Tapa del Recipiente.</li> <li>- Llame al Servicio Técnico Autorizado.</li> <li>- Verifique si hay energía eléctrica.</li> </ul>
- El equipamiento enciende, pero al colocar el producto dentro de él, para de funcionar o gira en baja rotación.	<ul style="list-style-type: none"> <li>- La correa está patinando.</li> <li>- El dispositivo de seguridad de la Tapa del Recipiente está con mal contacto.</li> <li>- Problemas con el Motor Eléctrico.</li> </ul>	<ul style="list-style-type: none"> <li>- Ajuste la tensión de las correas;</li> <li>- Llame al Servicio Técnico Autorizado;</li> <li>- Llame al Servicio Técnico Autorizado.</li> </ul>
- El producto cortado queda preso en el interior de la máquina.	<ul style="list-style-type: none"> <li>- Falta del disco expulsor.</li> <li>- Boca de Salida obstruida.</li> </ul>	<ul style="list-style-type: none"> <li>- Coloque el disco expulsor.</li> <li>- Desobstruya la Boca de Salida.</li> </ul>
- Olor a quemado e/o humo.	<ul style="list-style-type: none"> <li>- Problema en el circuito eléctrico interno o externo de la máquina.</li> </ul>	<ul style="list-style-type: none"> <li>- Llame al Servicio Técnico Autorizado.</li> </ul>
- Corte Irregular.	<ul style="list-style-type: none"> <li>- Cuchillas desafiladas.</li> </ul>	<ul style="list-style-type: none"> <li>- Afilar las cuchillas.</li> </ul>
- Cable eléctrico dañado.	<ul style="list-style-type: none"> <li>- Falla en el transporte del producto.</li> </ul>	<ul style="list-style-type: none"> <li>- Llame al Servicio Técnico Autorizado.</li> </ul>
- Ruidos anormales.	<ul style="list-style-type: none"> <li>- Problemas con rulemanes.</li> </ul>	<ul style="list-style-type: none"> <li>- Llame al Servicio Técnico Autorizado.</li> </ul>



## 8. DIAGRAMA ELECTRICO



NOTA: Para invertir el sentido de giro del motor, sustituya el cable T5 por el cable T8.





