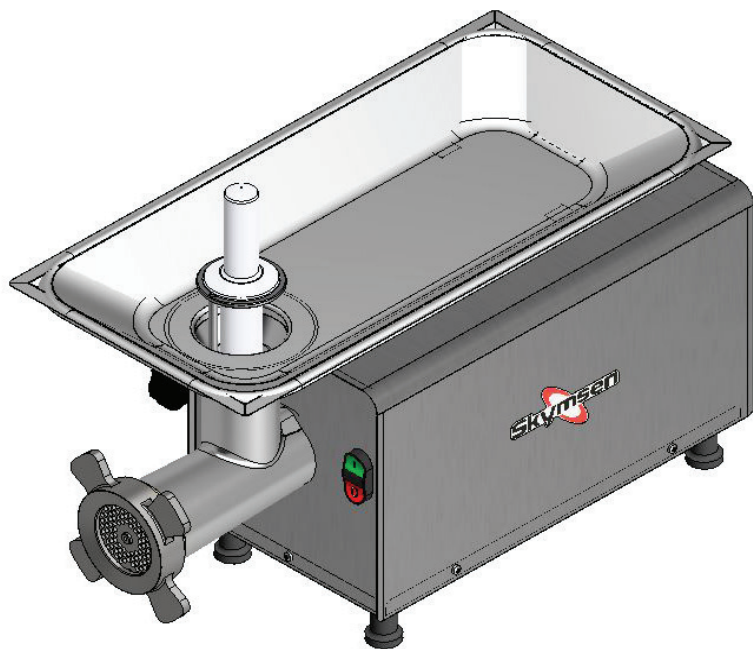


INSTRUCTION MANUAL MANUAL DE INSTRUCCIONES



STAINLESS STEEL MEAT GRINDER MOUNTH # 22
MOLINO DE CARNE 22, INOXIDABLE

MODEL/MODELO
PS-22

SUMMARY

| | |
|---|-----------|
| 1. Introduction | 3 |
| 1.1 Security | 3 |
| 1.2 Main components..... | 5 |
| 1.3 Technical Characteristics | 6 |
| 2. Installation and pre Operation | 6 |
| 2.1 Installation | 6 |
| 2.2 Pre Operation | 7 |
| 3. Operation | 8 |
| 3.1 Functioning..... | 8 |
| 3.2 Procedure for Operation | 8 |
| 3.3 Mounting of internal components of the mouth | 9 |
| 3.4 Cleaning and sanitizing | 10 |
| 3.5 Cautions with Stainless Steel | 11 |
| 4. General Safety Practices | 12 |
| 4.1 Basic Operation Procedures | 12 |
| 4.2 Safety Procedures and Notes before Switching the Machine ON | 13 |
| 4.3 Routine Inspection..... | 14 |
| 4.4 Operation | 14 |
| 4.5 After Finishing The Work..... | 14 |
| 4.6 Maintenance | 14 |
| 4.7 Warning..... | 15 |
| 5. Analysis and troubleshooting | 15 |
| 5.1 Problems, causes and solutions. | 15 |
| 5.2 Adjustment and replacement of components | 15 |
| 6. Maintenance | 17 |
| 7. Electric Diagram | 18 |

1. Introduction

1.1 Security

This equipment is suitable for grinding meat boneless and unfrozen, and is potentially dangerous when used improperly. It is necessary to perform maintenance, cleaning and/or any service by a qualified person and with the equipment disconnected from the electrical network.

The instructions below should be followed to avoid injury:

1.1.1 Read all instructions.

1.1.2 To protect against risk of electrical shock and equipment damage, never use the same with: clothes or wet feet and/or in damp or wet surface, do not immerse in water or any other liquid and do not use water jet directly on the equipment.

1.1.3 Should always be supervised when using any equipment, especially when it is being used near children.

1.1.4 Disconnect the equipment from power when: it's not in use, before cleaning, removing accessories, introduction of accessories, maintenance and any other type of service.

1.1.5 Do not use the equipment if you are with damaged cord or plug. Make sure that the power cord does not remain on the edge of the table/counter or touch hot surfaces.

1.1.6 When the equipment suffer a fall, is damaged in any way or does not work it is necessary to take it to an authorized service center for examination, repair, electrical or mechanical adjustment.

1.1.7 The use of accessory attachments not recommended by the appliance manufacturer may cause injury.

1.1.8 Keep hands and any utensil away from moving parts of the appliance while it is running to prevent personal injury or damage to equipment.

1.1.9 Never wear with wide sleeves, especially on the wrists during the operation.

1.1.10 Before connecting the equipment, check if the mouth N° 02 (fig. 01) is firm in its position, and if all its internal components are mounted correctly as shown in Figure 03.

1.1.11 This product was developed for use in commercial kitchens. Is used, for example, in restaurants, canteens, hospitals, bakeries, butchers and similar.

The use of this equipment is not recommended when:

- The production process is continuously on an industrial scale;
- The workplace is an environment with corrosive atmosphere, explosive, contaminated with steam, dust or gas.

IMPORTANT

Make sure that the power cord is in perfect condition for use. If the same is not, do the replacement of the damaged cable on the other that meets the technical specifications and safety requirements.

This substitution should be performed by a qualified professional and must comply with the local safety standards.

IMPORTANT

This appliance is not intended for use by persons (including children) with reduced physical, sensory or mental capabilities, or lack of experience and knowledge, unless they have received instructions concerning use of the appliance or are supervised by a person responsible for their safety.

IMPORTANT

Drilled discs with oval shape or with larger diameter than the originals should not be used.

IMPORTANT

Keep the equipment out of the reach of children.

IMPORTANT

In case of emergency pull the plug out of the power socket.

IMPORTANT

Never use water jets directly on the equipment.

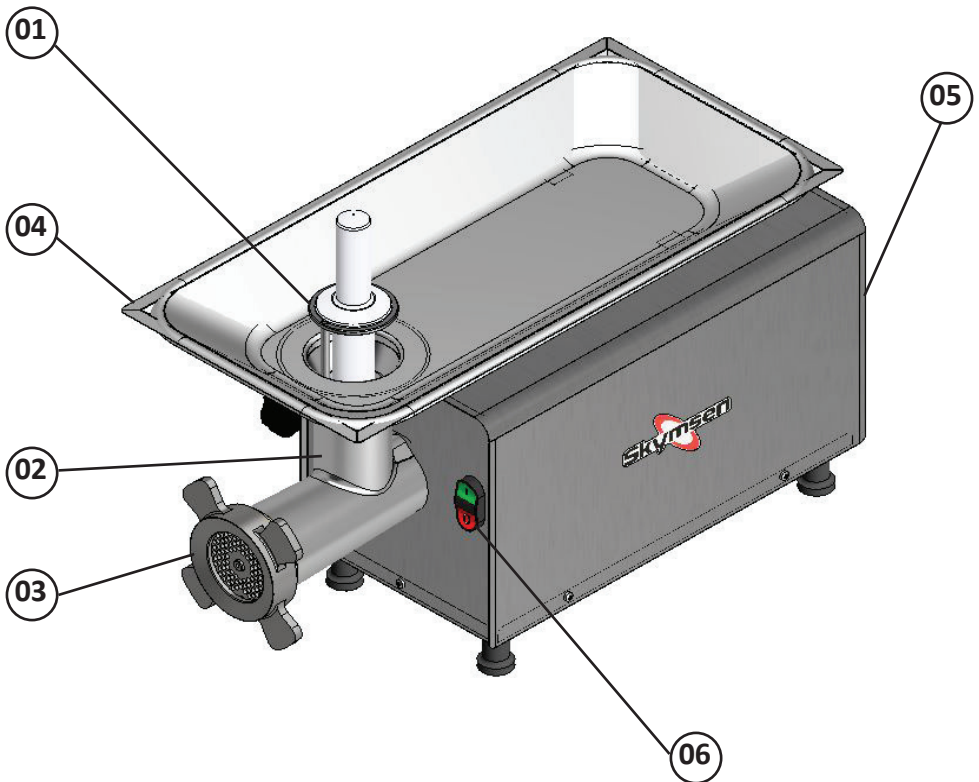
1.2 Main components

All components that incorporate the equipment are constructed with materials carefully selected for each role, within the standards of testing and experience Siemens.

The mouth Nr 02 (fig. 01) and the worm Screw N° 03 (fig. 03), receive cursory treatment to isolate and make cleaning easier.

The cross and the discs are made of hardened material to ensure the quality of the cut for much longer.

PICTURE 01



01-Tray Protection
02-Mouth
03-Wheel
04-Security Tray

05-Housing
06-On/Off switch

1.3 Technical Characteristics

TABLE 01

| CARACTERÍSTICAS | UNIT | PS-22 | PS-22 | PS-22 |
|--------------------|------|-------|-------|------------|
| Average Production | kg/h | 300 | 300 | 300 |
| Tension | V | 110 | 220 | 220 or 230 |
| Frequency | Hz | 60 | 60 | 50 |
| Power | CV | 2 | 2 | 2 |
| Height | mm | 530 | 530 | 530 |
| Width | mm | 325 | 325 | 325 |
| Depth | mm | 720 | 720 | 720 |
| Net Weight | kg | 32 | 32 | 32 |
| Gross Weight | kg | 40 | 40 | 40 |

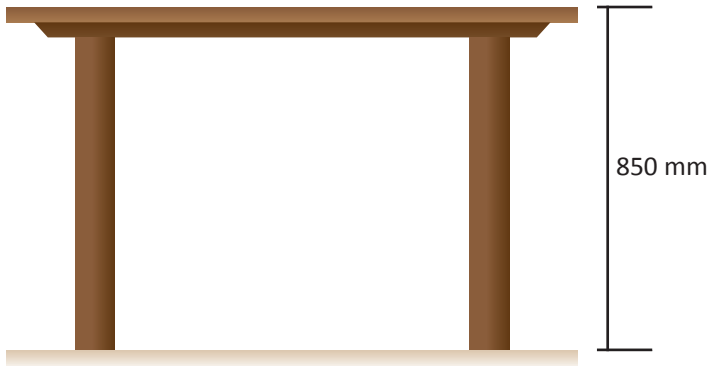
2. Installation and pre Operation

2.1 Installation

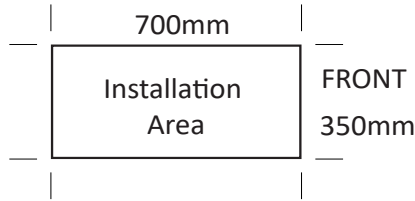
2.1.1 Positioning

Your equipment must be placed and leveled on a dry surface and firm with preferably 850 mm high.

PICTURE 02



Floor plan of the area recommended for installation of the equipment.



2.1.2 electrical installation

This equipment was developed for 110, 220 or 230 V (single voltage according to equipment purchased). Upon receiving the equipment check the voltage listed on the label electric cable.

The power cord has 3 (three) pins, where the center pin is the ground pin-earthed (grounded). It is mandatory that the three points are properly connected before the equipment.

IMPORTANT

Make sure that the voltage of the power source where the equipment will be installed is compatible with the voltage indicated on the label on the power cord.

2.2 Pre Operation

Before using your equipment, should you wash all parts that come into contact with the product to be processed, with water and neutral SOAP (see item 3.4 cleaning).

Verify that the equipment this firm in your workplace.

IMPORTANT

When mounting the full mouth, do not over tighten the wheel no. 03 (fig. 01), thus avoiding locking or breaking of the internal components.

3. Operation

3.1 Functioning

IMPORTANT

Turn off the equipment at any time to remove your mouth. The equipment is silent. Don't let utensils such as knives, hooks and others, about the security Tray.

Make sure that the constituent Assembly of the mouth, is in the correct sequence, as shown in (fig. 03)

The firing is done as described below:

1 put the plug of the equipment in electric power socket.

2-check that the safety Tray N° 04 (fig. 01) is properly positioned in its place of work;

3-Press the on/off switch N° 06 (fig. 01) to the position "I" making that call equipment.

3.2 Procedure for Operation

IMPORTANT

Under no circumstances use strange instruments (cutlery, cables, etc.) to push the product to be rendered to the inside of the mouth, much less your hands. Use the socket N° 01 (fig. 01) to do this operation. The product to be rendered inside the mouth, it has the function to lubricate and cool the components of same. Therefore, do not leave connected equipment on empty, because in this way, warm too, and will damage your components.

The meat mincer is an equipment that works at high speed and to do so requires that the power supply is also fast.

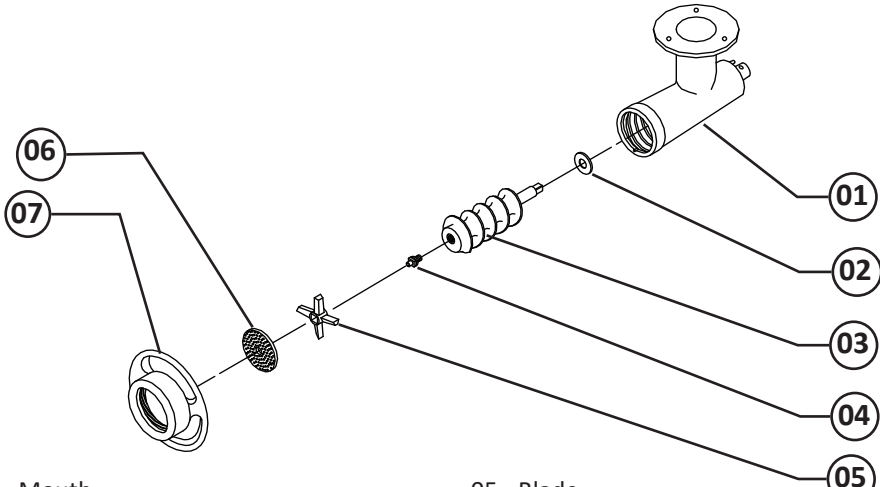
To feed him, put the meat on the tray N° 04 Security (fig. 01), and drive the same with hands until the entry of the power nozzle. With the help of the socket number 01 (fig. 01) push them to the inside of the mouth, where they will be pulled by the worm screw.

3.3 Mounting of internal components of the mouth

IMPORTANT

Note the position of the internal components of the mouth for no inversions of the same, because if this happens, irreparable harm will occur.

PICTURE 03



01 - Mouth

02 - fiber Washer

03 - worm Screw

04 - worm screw Pin

05 - Blade

06 - 5 mm Disk, (optional 3 mm and 8 mm)

07 - Wheel

3.4 Cleaning and sanitizing

IMPORTANT

Pull the plug out of the socket before starting the cleaning process.

The equipment must be totally clean and sanitized:

- Before being used for the first time;
- After the operation of each day;
- Whenever it is not used for a prolonged period;
- Before putting it into operation after a prolonged downtime.

Some part of the equipment can be removed for cleaning as:

- Pan, socket, and its internal components
- Remove the socket N° 01 (fig. 01) security tray N° 04 (fig. 01), to facilitate the withdrawal of the mouth.
- To remove the Mouth, proceed as below:
 - Remove the wheel N° 03 (fig. 01) and then its internal components, in order to do so, pull them out.
 - Holding the Mouth N° 02 (fig. 01) loosen the lever located on the left side of the equipment, moving it alternately to the sides and front.

Wash all parts with warm water and neutral SOAP.

IMPORTANT

Do not store the mouth with product in its interior, where it can freeze

IMPORTANT

Do not use water jet directly on the equipment

3.5 Cautions with Stainless Steel:

The Stainless Steel may present rust signs, which ARE ALWAYS CAUSED BY EXTERNAL AGENTS, especially when the cleaning or sanitization is not constant and appropriate.

The Stainless Steel resistance towards corrosion is mainly due to the presence of chrome, which in contact with oxygen allows the formation of a very thin protective coat. This protective coat is formed through the whole surface of the steel, blocking the action of external corrosive agents.

When the protective coat is broken, the corrosion process begins, being possible to avoid it by means of constant and adequate cleaning.

Cleaning must always be done immediately after using the equipment. For such end, use water, neutral soap or detergent, and clean the equipment with a soft cloth or a nylon sponge. Then rinse it with plain running water, and dry immediately with a soft cloth, this way avoiding humidity on surfaces and especially on gaps.

The rinsing and drying processes are extremely important to prevent stains and corrosion from arising.

IMPORTANT

Acid solutions, salty solutions, disinfectants and some sterilizing solutions (hypochlorites, tetravalent ammonia salts, iodine compounds, nitric acid and others), must be AVOIDED, once it cannot remain for long in contact with the stainless steel:

These substances attack the stainless steel due to the CHLORINE on its composition, causing corrosion spots (pitting).

Even detergents used in domestic cleaning must not remain in contact with the stainless steel longer than the necessary, being mandatory to remove it with plain water and then dry the surface completely.

Use of abrasives:

Sponges or steel wool and carbon steel brushes, besides scratching the surface and compromising the stainless steel protection, leave particles that rust and react contaminating the stainless steel. That is why such products must not be used for cleaning and sanitization. Scrapings made with sharp instruments or similar must also be avoided.

Main substances that cause stainless steel corrosion:

Dust, grease, acid solutions such as vinegar, fruit juices, etc., saltern solutions (brine), blood, detergents (except for the neutral ones), common steel particles, residue of sponges or common steel wool, and also other abrasives.

4. GENERAL SAFETY PRACTICES

IMPORTANT

If any recommendation is not applicable to your equipment , please ignore it .

The following safety instructions are addressed to both the operator of the machine as well as the person in charge of maintenance.

The machine has to be delivered only in perfect conditions of use by the Distributor to the user. The user shall operate the machine only after being well acquainted with the safety procedures described in the present manual. **READ THIS MANUAL WITH ATTENTION.**

IMPORTANT

Any change in the protection systems and safety devices will during operation, create serious risks to the operator physical integrity

4.1 Basic Operation Procedures

4.1.1 Dangers

Some areas of the electric device have parts that are connected or have parts connected to high voltage. These parts when touched may cause severe electrical shocks or even be lethal.

Never touch manual commands such as switches, buttons, turning keys and knobs with your hands wearing wet clothes and/or wet shoes. By not following these instructions operator could be exposed to severe electrical shocks or even to a lethal situation.

4.1.2 Warnings

- * The operator has to be well familiar with the position of ON/OFF Switch to make sure the Switch is easy to be reached when necessary.
- * Before any kind of maintenance, physically remove plug from the socket.
- * Provide space for a comfortable operation thus avoiding accidents.
- * Water or oil spilled on the floor will turn it slippery and dangerous. Make sure the floor is clean and dry.
- * Before using any commands (switch, buttons, lever), be sure it is the correct one. In case of doubt, consult this manual.
- * Never touch any manual commands (switch, buttons, lever) unadvisedly.
- * If any work is to be made by two or more persons, coordination signs will have to be

given for each operation step. Every step of the operation shall be taken only if a sign has been made and responded.

4.1.3 Advices

* In case of power shortage, immediately switch the machine off.* Use recommended or equivalent lubricants, oils or greases.

* Avoid mechanical shocks, once they may cause damages or bad functioning.

* Avoid water, dirt or dust contact to the mechanical and electrical components of the machine.

* DO NOT change the standard characteristics of the machine.

* DO NOT remove, tear off or maculate any safety or identification labels stuck on the machine. If any labels have been removed or are no longer legible, contact your nearest dealer for replacement.

4.2 Safety Procedures and Notes before Switching the Machine ON

IMPORTANT

**Carefully read ALL INSTRUCTIONS of this manual before turning the machine ON.
Be sure to well understand all the information contained in this manual. If you
have any question contact your supervisor or your nearest Dealer.**

4.2.1 Danger

An electric cable or electric wire with damaged jacket or bad insulation might cause electrical shocks as well as electrical leak. Before use, check the conditions of all wires and cables.

4.2.2 Advices

Be sure to well understand all the information contained in this manual. Every operation function or procedure has to be thoroughly clear.

Before using any commands (switch, buttons, lever), be sure it is the correct one. In case of doubt, consult this manual.

4.2.3 Precautions

The electric cable has to be compatible with the power required by the machine.

Cables touching the floor or close to the machine need to be protected against short circuits.

4.3 Routine Inspection

4.3.1 Advice

When checking the tension of the belts or chains, DO NOT insert your fingers between the belts and the pulleys and nor between the chain and the gears.

4.3.2 Precautions

Check the motor and sliding or turning parts of the machine in case of abnormal noises. Check the tension of the belts and chains and replace the set when belts or chains show signs of wearing.

When checking the tension of belts or chains DO NOT insert your fingers between belts and pulleys, nor between the chains and gears.

Check protections and safety devices to make sure they are working properly.

4.4 Operation

4.4.1 Warnings

Do not use the machine with long hair that could touch any part of the machine. This might lead to a serious accident. Tie your hair up well and/or cover it with a scarf.

Only trained or skilled personnel shall operate this machine.

Never touch turning parts with your hands or any other way ,

NEVER operate the machine without any original safety devices under perfect conditions.

4.5 After Finishing The Work

4.5.1 Precautions

Always TURN THE MACHINE OFF before cleaning by removing the plug from the socket.

Never clean the machine unless it has come to a complete stop.

Put all the components back to their functional positions before turning the machine ON again.

Check the level of liquids.

Do NOT insert your fingers in between belts and pulleys nor chains and gears.

4.6 Maintenance

4.6.1 Danger

Any maintenance with the machine in working situation is dangerous. TURN IT OFF BY PULLING THE PLUG OFF THE SOCKET DURING MAINTENANCE.

IMPORTANT

Always remove the plug from the socket in any emergency situation.

4.7 Warning

Electrical or mechanical maintenance has to be undertaken by qualified personnel.

The person in charge of maintenance has to be sure that the machine is under TOTAL SAFETY conditions when working.

5. Analysis and troubleshooting

5.1 Problems, causes and solutions.

This equipment has been designed to require minimum maintenance. However, there may be some irregularities in its functioning, due to natural wear caused by its use.

If there is a problem with your equipment, check the following table, where they are described some possible recommended solutions.

In addition, Metalúrgica Siemens Ltda. provides your entire network of Authorized Technical Assistant, which will have as much pleasure to serve you. The relationship of Authorized Technical Assistant can be consulted on the site www.siemsen.com.br.

5.2 Adjustment and replacement of components

5.2.1 Edging of the disks and crosses.

The good discs and edging of crosses, causes the equipment to work with less effort, and consequently increases the lifespan of your components. To do this, browse to the SKYMSEN authorized technical assistance (ATA), to make the correct sharpening.

5.2.2 gearbox

The meat Mincer is an equipment that works with oil lubricated reduction box.

To ensure the life of the equipment for much longer, check every 5,000 hours oil level, to both take the equipment to Skymesen authorized technical assistance (ATA).

The amount of oil used in the meat Mincer is 250 ml, being recommended to use 140-UNITRON oil CASTROL or similar with viscosity (SAE140, APIGL-4, ANP 1006).

TABLE 02

| PROBLEMS | CAUSES | SOLUTIONS |
|--|--|--|
| -The unit will not turn on. | -Lack of electrical energy; -Worn or broken Gears; -Problem in the internal or external electrical circuit of the equipment. | -Check if there is Power; Call authorized technical assistance (ATA); Call authorized technical assistance (ATA); |
| -Burning odor and/or smoke. | -Problem in the internal or external electrical circuit of the equipment. | Call authorized technical assistance (ATA); |
| -Alloy equipment but when the product is placed on the equipment, the same for or revolves low rotation. | -Worn or broken Gears; -Problems with the Electric Motor. | Call authorized technical assistance (ATA); Call authorized technical assistance (ATA); |
| -Electric Cable damaged. | -Transport of the product failure. | Call authorized technical assistance (ATA); |
| -Strange noises. | -Defective Bearings | Call authorized technical assistance (ATA); |
| -The processed product comes out crushed. | -One of the components of the mouth or incorrect mounting of the same; -Disks or Crosses blunt. | -Check the mounting sequence according to (fig. 03); -See item 5.2.1 of this manual. |
| -The nut screw to during operation | -Lack of electrical power on the equipment; -Problem in the internal or external electrical circuit of the equipment; -Worn or broken Gears. | -Check that the plug is plugged into the socket, and if there is power to the electrical network; * Call authorized technical assistance (ATA). |
| * Oil leak in the gearbox. | - Sealing System of the damaged equipment. | * Call authorized technical assistance (ATA). |

6. Maintenance

The maintenance must be considered a set of procedures that aims to keep the equipment in optimum operating conditions, resulting in increased service life and safety.

* Cleaning – Check item 3.3 of this manual Cleaning.

* Wiring-Check all the cables on the decay and all contacts (terminals) on the grip and electric corrosion.

* Contacts – on/off switch, emergency stop button, reset button, electronic circuits, etc. Check the equipment so that all components are functioning properly and that the operation of the appliance is normal.

* Installation – check the installation of your equipment according to item 2.1, Installation of this manual.

* **Product life-2 years, to a normal working turnno.**

1-items to check and perform monthly:

- Check the wiring;
- Measure the voltage from the socket;
- Measure the operating current and compare with the nominal;
- Check tightness of all electrical terminals of the unit, to avoid possible bad contacts;
- Check possible furloughs electric motor shaft;
- Check the wiring and electrical cable for signs of overheating, poor insulation or mechanical failure.

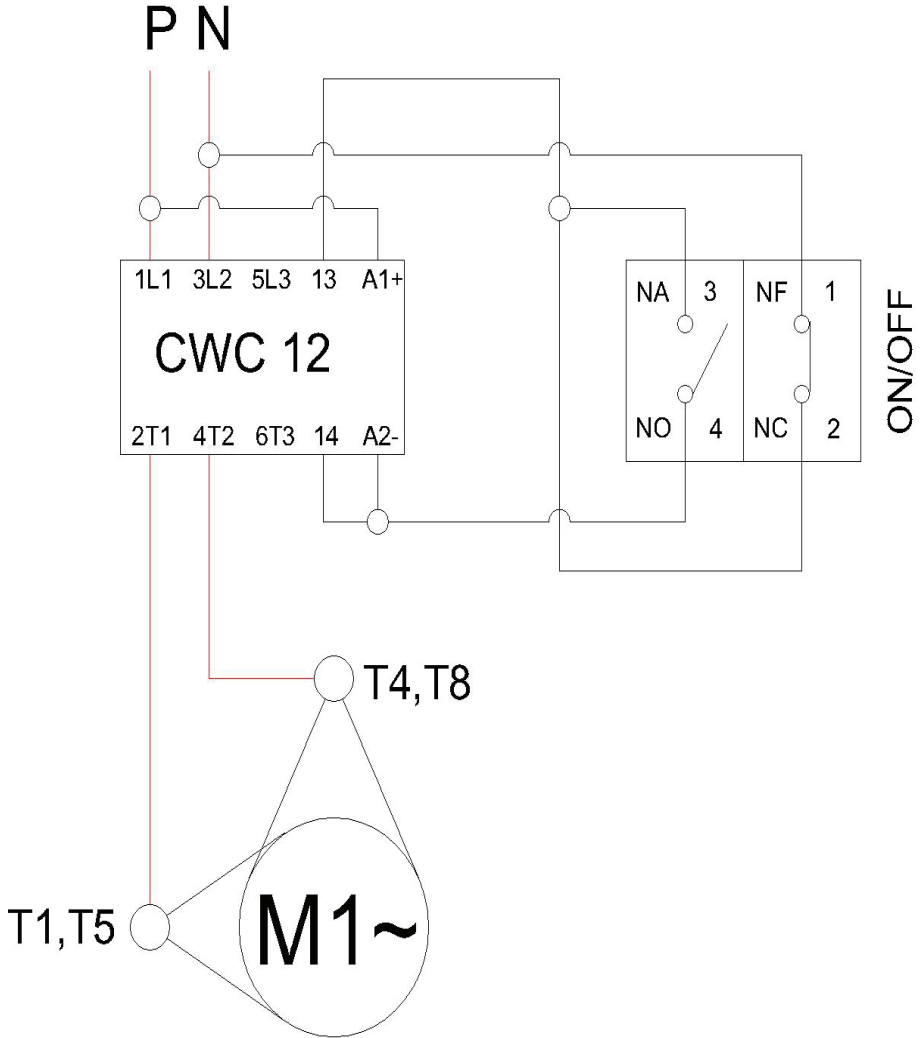
2-checking Items or perform every 3 months:

- Check electrical components like power switch, emergency stop button, reset button and electronic circuit for signs of overheating, poor insulation or mechanical failure.
- Check possible clearances in bearings and bearings.
- Check seals, rings o’rings, v rings rings and other fencing systems.

7. Electric Diagram

ELECTRIC NETWORK

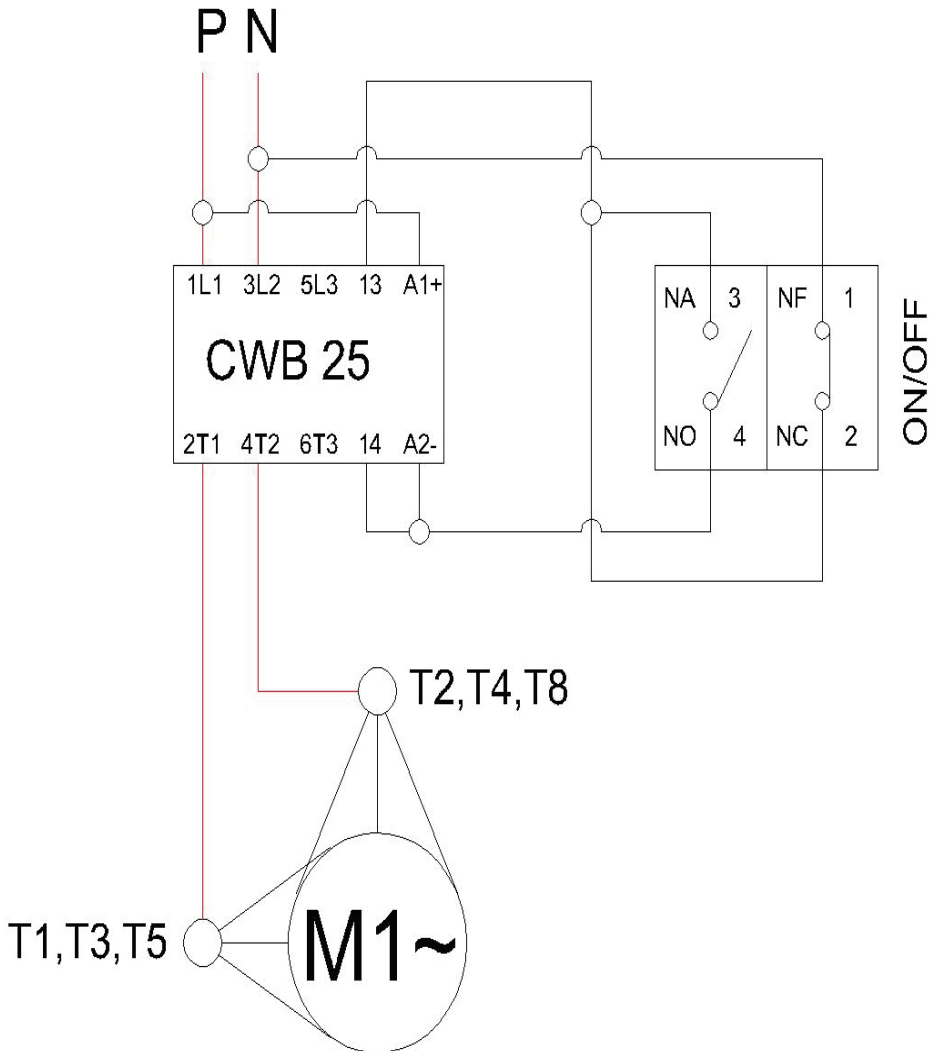
220V / 50Hz



NOTE: To reverse motor rotation direction, replace wire T5 with wire T8.

ELECTRIC NETWORK

110V / 60Hz

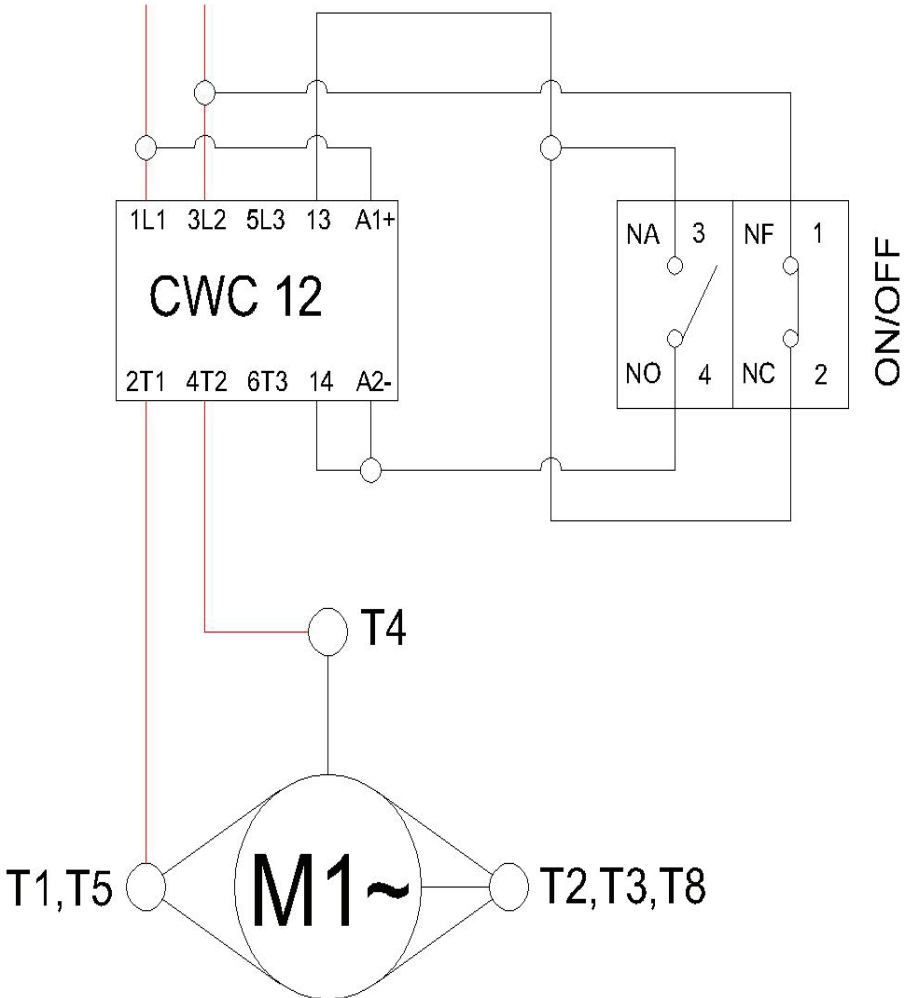


NOTE: To reverse motor rotation direction, replace wire T5 with wire T8.

ELECTRIC NETWORK

220V / 60Hz

P N



NOTA: To reverse motor rotation direction, replace wire T5 with wire T8.

SUMARIO

| | |
|---|-----------|
| 1. Introducción | 22 |
| 1.1 Seguridad | 22 |
| 1.2 Principales Componentes..... | 24 |
| 1.3 Características Técnicas..... | 25 |
| 2. Instalación y Pre-Operación | 25 |
| 2.1 Instalación | 25 |
| 2.2 Pré-Operación..... | 26 |
| 3. Operación..... | 27 |
| 3.1 Funcionamiento..... | 27 |
| 3.2 Procedimiento de Operación..... | 27 |
| 3.3 Montaje de los componentes internos de la boca | 28 |
| 3.4 Limpieza | 29 |
| 3.5 Cuidados con los aceros inoxidables | 30 |
| 4. Nociones Generales de Seguridad | 31 |
| 4.1 Practicas básicas para la Operación | 31 |
| 4.2 Cuidados y Observaciones Antes de Prender la Maquina | 32 |
| 4.3 Inspección de Rutina..... | 33 |
| 4.4 Operación | 33 |
| 4.5 Después de Terminar el Trabajo | 33 |
| 4.6 Mantenimiento..... | 33 |
| 4.7 Aviso..... | 34 |
| 5. Análisis y solución de problemas | 34 |
| 5.1 Problemas, causas y soluciones..... | 34 |
| 5.2 Ajuste y reemplazo de componentes..... | 34 |
| 6. Mantenimiento..... | 36 |
| 7. Diagrama Electrico..... | 37 |

1. Introducción

1.1 Seguridad

Este equipo es indicado para moler carne deshuesada y sin congelar y es potencialmente peligrosa cuando se usa incorrectamente. Es necesario realizar mantenimiento, limoieza o cualquier servicio por una persona calificada y con el equipo desconectado de la red eléctrica.

Deben seguirse las siguientes instrucciones para evitar lesiones:

1.1.1 Lea todas las instrucciones.

1.1.2 Para protegerse contra el riesgo de descarga eléctrica o daño al equipo, nunca use la misma con: ropa o pies mojados o en lugares húmeda o mojada superficie, no lo sumerja en agua u otroco líquido y no utilice chorro de agua directamente en el equipo.

1.1.3 Siempre deben ser supervisados cuando use cualquier equipo, especialmente cuando se utiliza cerca de niños.

1.1.4 Desconecte el equipo de alimentación cuando: es que no esté en uso, antes de la limpieza, quitar los accesorios, introducción de accesorios, mantenimiento y cualquier otro tipo de servicio.

1.1.5 No utilice el equipo si son con cable o enchufe. Asegúrese que el cable de alimentación no permanecen en el borde del mesa/contador o toque superficies calientes.

1.1.6 Cuando el equipo sufre una caída, está dañado de alguna manera o no funciona es necesario llevarlo a un centro de servicio autorizado para la examinación, reparación, ajuste eléctrico o mecánico.

1.1.7 El uso de accsorios no recomendados por el fabricante del aparato puede provocar lesiones.

1.1.8 Mantenga las manos y cualquier utensilio de mover las piezas del aparato mientras esté en funcionamiento para evitar lesiones personales o daños al equipo.

1.1.9 Nunca ropa con mangas anchas, especialmente en las muñecas durante la operación.

1.1.10 Antes de conectar el equipo, compruebe si la boca N° 02 (fig.01) está firme en su posición, y si todos sus componentes internos están montados correctamente como se muestra en la figura 03.

1.1.11 Que este producto fue desarrollado para su uso en cocinas comerciales. Se utiliza, por ejemplo, en restaurantes, cantinas, hospitales, panaderías, carnicerías y similares.

No se recomienda el uso de este equipo cuando:

- El proceso de producción es continuamente a escala industrial;
- El lugar de trabajo es un entorno de ambiente corrosivo, explosivo, contaminados con vapores, polvo o gas.

IMPORTANTE

Asegúrese de que el cable de alimentación está en perfectas condiciones para su uso. Si no es lo mismo, hacer el reemplazo del cable dañado por otro que cumpla con las especificaciones técnicas y requisitos de seguridad. Esta sustitución debe ser realizada por un profesional calificado y debe cumplir con las normas de seguridad locales.

IMPORTANTE

Este aparato no está diseñado para su uso por personas(incluyendo a niños) con capacidades físicas, sensoriales o mentales reducidas, o con falta de experiencia y conocimientos, a menos q hayan recibido instrucciones sobre el uso del aparato o están supervisados por una persona responsable de su seguridad.

IMPORTANTE

No deben utilizarse discos perforados con forma ovalada o con un diámetro mayor que los originales.

IMPORTANTE

Mantenga el equipo fuera del alcance de los niños.

IMPORTANTE

En caso de emergencia, desconecte el enchufe de la toma de corriente.

IMPORTANTE

Nunca use chorros de agua directamente en el equipo.

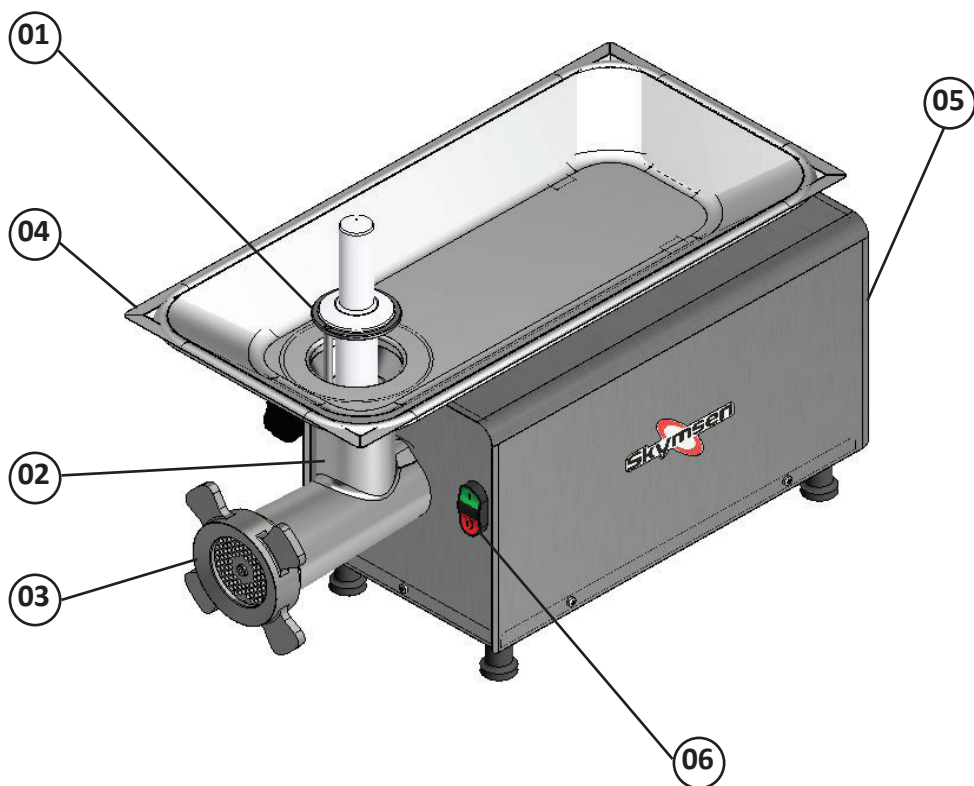
1.2 Principales Componentes

Todos los componentes que incorporan los equipos están contruidos con materiales cuidadosamente seleccionados para cada rol, dentro de los estándares de prueba y experimentan Siemens.

La boca N° 02 (fig. 01) y lo gusano tornillo N° 03 (fig. 03), reciben tratamiento superficial para aislar y facilitar la limpieza.

La Cruz y los discos se hacen del material endurecido para asegurar la claidad del corte por mucho tiempo.

FIGURA 01



- 01 - Protección de Bandeja
- 02 - Boca
- 03 - Rueda
- 04 - Bandeja de Seguridad

- 05 - Gabinete
- 06 - Llave prender/apagar

1.3 Características Técnicas

TABLA 01

| CARACTERÍSTICAS | UNIDAD | PS-22 | PS-22 | PS-22 |
|---------------------|--------|-------|-------|------------|
| Producción Promedio | kg/h | 300 | 300 | 300 |
| Tensión | V | 110 | 220 | 220 or 230 |
| Frecuencia | Hz | 60 | 60 | 50 |
| Potência | CV | 2 | 2 | 2 |
| Altura | mm | 530 | 530 | 530 |
| Ancho | mm | 325 | 325 | 325 |
| Profundidad | mm | 720 | 720 | 720 |
| Peso Neto | kg | 32 | 32 | 32 |
| Peso Bruto | kg | 40 | 40 | 40 |

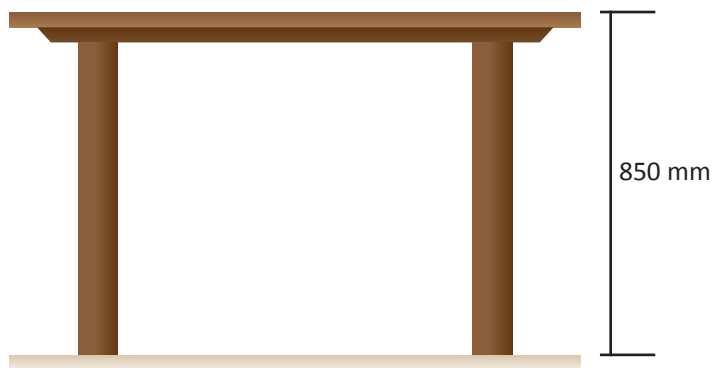
2. Instalación y Pre-Operación

2.1 Instalación

2.1.1 Posicionamiento

Su equipo debe ser colocado y nivelado en un lugar seco superficial y firme con preferencia 850 mm de alto.

FIGURA 02



Plano de la zona recomendada para la instalación de los equipos.



2.1.2 Instalación Eléctrica

Este equipo fue desarrollado para 110, 220 o 230 V (voltaje único según equipo adquirido). Al recibir el equipo verifique el voltaje indicado en la etiqueta del cable eléctrico.

El cable de alimentación tiene 3 (tres) pines, donde el pasador central es la tierra pin-la conexión a tierra (tierra). Es obligatorio que los tres puntos están conectados correctamente antes de hacer el equipo.

IMPORTANTE

Asegúrese de que el voltaje de la fuente de energía donde se instalará el equipo es compatible con la tensión indicada en la etiqueta en el cable de alimentación.

2.2 Pre-Operación

Antes de usar su equipo, debe lavar todas las piezas que entran en contacto con el producto para ser procesado, con agua y jabón neutro (véase el artículo 3.4 Limpieza)

Verificar que el equipo este firme en su lugar de trabajo.

IMPORTANTE

Cuando se monta la boca llena, no apriete demasiado la rueda N°03 (fig. 01), evitando así el bloqueo o la ruptura de los componentes internos.

3. Operación

3.1 Funcionamiento

IMPORTANTE

Apague el equipo en cualquier momento para quitar la boca. El equipo es silencioso. No dejes que los utensilios tales como cuchillos, ganchos y otros, sobre la seguridad de la bandeja.

Asegúrese de que la Asamblea Constituyente de la boca, es en la secuencia correcta, como se muestra en (fig. 03).

La cocción se realiza como se describe a continuación:

- 1 - Coloque el enchufe del equipo en la toma de corriente eléctrica;
- 2 - Comprobar que la Bandeja de Seguridad N° 04 (fig. 01) esté colocada correctamente en su lugar de trabajo;
- 3 - Pulse la llave prender/apagar N° 06 (fig. 01) a la posición “I” que llame a equipos.

3.2 Procedimiento de operación

IMPORTANTE

Bajo ninguna circunstancia utilice instrumentos extraños (cuchillería, cables, etc.) para empujar el producto que procesa en el interior de la boca, mucho menos las manos. Utilice el zócalo para realizar esta operación. El producto que procesa dentro de la boca, tiene la función de lubricar y enfriar los componentes del mismo. Por lo tanto, no dejar equipos conectados en vacío, porque de esta manera, caliente muy y puede dañar los componentes.

La picadora de carne es un equipo que trabaja a alta velocidad y para ello requiere que la fuente de alimentación también es rápida.

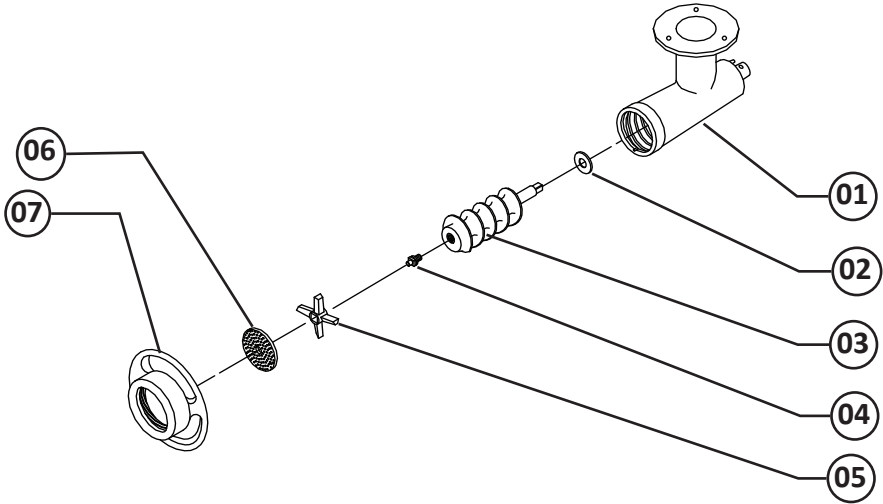
Para alimentarlo, poner la carne en la Bandeja de Seguridad N° 04 (fig.01) y lo mismo con las manos hasta la entrada de la boquilla de potencia en coche. Con la ayuda del zócalo empujar hacia adentro de la boca, donde se va desplazando por el Gusano Tornillo.

3.3 Montaje de los componentes internos de la boca

IMPORTANTE

Observar la posición de los componentes internos de la boca para no inversiones del mismo, porque si esto sucede, se producirá un daño irreparable.

PICTURE 03



01 - Boca

02 - Arandela de fibra

03 - Gusano Tornillo

04 - Gusano Tornillo Perno

05 - Lamina

06 - Disco 5 mm, (opcional 3 mm y 8 mm)

07 - Rueda

3.4 Limpieza

IMPORTANTE

Desconecte el enchufe de la toma de corriente antes de iniciar el proceso de limpieza

El equipo debe estar totalmente limpio y desinfectado:

- Antes de utilizarse por primera vez;
- Después de la operación de cada día;
- Cuando no se utiliza durante un período prolongado;
- Antes de poner en funcionamiento después de un prolongado tiempo de inactividad;

Una parte de los equipos puede extraer para su limpieza como:

- Pan, zócalo y sus componente internos;
- Quitar el zócalo y la Bandeja de Seguridad N° 04 (fig. 01), para facilitar la retirada de la boca.

Para quitar la boca, proceder como abajo:

- Retire la rueda N° 03 (fig. 01) y luego sus componentes internos, para ello, tire de ellos hacia fuera.
- Mantiene la boca N° 02 (fig. 01). Afloje la palanca situada en el lado izquierdo del equipo, moviéndolo alternativamente hacia el frente y los lados.

Lave todas las piezas con agua tibia y jabón neutro.

IMPORTANTE

No almacene la boca con el producto en su interior, donde puede congelar

IMPORTANT

No utilice chorro de agua directamente en el equipo.

3.5 Cuidados con los aceros inoxidable

Los aceros inoxidable pueden presentar puntos de “herrumbre”, que SIEMPRE SON PROVOCADOS POR AGENTES EXTERNOS, principalmente cuando el cuidado con la limpieza o higienización no sea constante y adecuado.

La resistencia a la corrosión del acero inoxidable se debe principalmente a la presencia del cromo que, en contacto con el oxígeno, permite la formación de una finísima camada protectora. Esta camada protectora se forma sobre toda la superficie del acero, bloqueando la acción de los agentes externos que provocan la corrosión.

Cuando la camada protectora sufre un rompimiento, el proceso de corrosión es iniciado, pudiendo ser evitado a través de una limpieza constante y adecuada. Inmediatamente después de la utilización del equipamiento, es necesario proceder con la limpieza, utilizando agua, jabón o detergentes neutros, aplicados con un paño suave o esponja de nylon. A seguir, solamente con agua corriente, se debe enjuagar e, inmediatamente secar, con un paño suave, evitando la permanencia de humedad en las superficies y principalmente en las grietas.

El enjuague y el secado son extremadamente importantes para evitar el apareamiento de manchas o corrosiones.

IMPORTANTE

Soluciones ácidas, soluciones salinas, desinfectantes y determinadas soluciones esterilizantes (hipocloritos, sales de amoníaco tetravalente, compuestos de iodo, ácido nítrico y otros), deben ser EVITADAS por no poder permanecer mucho tiempo en contacto con el acero inoxidable.

Visto que generalmente poseen CLORO en su composición, tales sustancias atacan el acero inoxidable, causando puntos de corrosión. Mismo los detergentes utilizados en la limpieza doméstica, no deben permanecer en contacto con el acero inoxidable más de lo necesario, debiendo ser también removidos con agua y la superficie deberá ser completamente seca.

Uso de abrasivos:

Esponjas o estropajos de acero y cepillos de acero en general, además de rallar la superficie y comprometer la protección del acero inoxidable, dejan partículas que oxidan y reaccionan, contaminando el acero inoxidable. Por eso, tales productos no deben ser usados en la limpieza e higienización. Raspados hechos con instrumentos puntiagudos o similares también deberán ser evitados.

Principales sustancias que causan la corrosión de los aceros inoxidable:

Polvos, engrases y soluciones ácidas como el vinagre, sucos de frutas u otros ácidos, soluciones salinas (salmuera), sangre, detergentes (excepto los neutros), partículas de aceros, residuos de esponjas o estropajos de acero común, además de otros tipos de abrasivos.

4. Nociones Generales de Seguridad

IMPORTANTE

En el caso de algun ítem de las NOCIONES GENERALES DE SEGURIDAD no ser aplicable en su producto, por favor desconsiderar el mismo.

Las Nociones Generales de Seguridad fueran elaboradas para orientar y instruir adecuadamente a los operadores de las maquinas y aquellos que serán responsables por su manutención.

La maquina debe ser entregue al usuario en buenas condiciones de uso, y este debe ser orientado cuanto al uso y seguridad de la maquina por el revendedor.

El operador debe usar la maquina solamente después de un completo conocimiento de los cuidados a observar, LEYENDO ATENTAMENTE ESTE MANUAL.

IMPORTANTE

Cualquier cambio en el sistema de seguridad y en las protecciones de seguridad, creará serios riesgos a la integridad física del operador durante la operación

4.1 Practicas básicas para la Operación

4.1.1 Peligros

Algunas partes de los accionamientos eléctricos presentan puntos o terminales energizados con altos voltajes. Estes, cuando tocados, pueden causar graves choque eléctricos o hasta la MUERTE de una pernsona.

Nunca toque un comando manual (botón, pulsante, llave eléctrica, etc) con las manos, zapatos o ropas mojadas. No observar esta recomendación podría causar choque eléctrico o has ta MUERTE.

4.1.2 Advertencias

- * La posición de la Llave Liga/Desliga, debe ser bien conocida, para que sea posible accionarla a cualquier momento sin tener que procurarla;
- * Antes de cualquier tipo de manutención, desconecte físicamente la maquina de la red eléctrica;
- * Arregle espacio suficiente alrededor de la maquina para evitar caídas peligrosas.
- * Agua y óleo pueden hacer un piso resbaloso y peligroso. Para evitar accidentes el piso debe estar seco y limpio.
- * Nunca toque en un comando eléctrico casualmente (botón, pulsante, llave eléctricas o palancas).
- * Si el trabajo debe ser hecho por dos o más personas, habrá que dar señales de

coordinación para cada etapa del trabajo. La etapa siguiente no debe ser comenzada sin que la respectiva señal haya sido dada y respondida.

4.1.3 Avisos

- * Certifíquese de que las instrucciones deste Manual fueran completamente entendidas;
- * Evite los golpes mecánicos, ya que pueden causar daños o mal funcionamiento.
- * Evite el contacto del agua, la suciedad o el polvo con los componentes mecánicos y eléctricos de la máquina.
- * NO cambie las características estándar de la máquina.
- * NO quite, rasgue ni manche ninguna etiqueta de seguridad o de identificación pegada en la máquina. Si alguna etiqueta se ha quitado o ya no es legible, comuníquese con su distribuidor más cercano para reemplazarla.

4.2 Cuidados y Observaciones Antes de Prender la Maquinas

IMPORTANTE

Lea atentamente y con cuidado las INSTRUCCIONES contenidas en este Manual antes de ligar la maquina. Certifíquese de que fueran entendidas correctamente todas las informaciones. En caso de duda, consulte su superior o el proveedor.

4.2.1 Peligro

Conductor eléctrico con aislamiento dañado, puede producir una fuga de corriente eléctrica y provocar choques eléctricos. Antes de usarlo verifique sus condiciones.

4.2.2 Avisos

Certifíquese que las INSTRUCCIONES contenidas en este Manueal, fueran completamente entendidas. Cada función o procedimiento de operación y manutención debe estar claro.

El accionamiento de un comando manual (botón, pulsante, llave eléctrica, palanca, etc) debe ser hecho solamente cuando se tenga la certidumbre de que es el correcto.

4.2.3 Cuidados

El cable de energía eléctrica, responsable por la alimentación de la maquina, debe tener una sección suficiente para soportar la potencia eléctrica consumida.

Los cables eléctricos que se queden sobre el suelo junto de la maquina, deben ser protegidos para evitar corto circuitos.

4.3 Inspección de Rutina

4.3.1 Avisos

Al verificar la tensión de las correas, NO coloque los dedos entre las correas y la polea.

4.3.2 Cuidados

Verifique las partes girantes de la maquina al oír algún ruido anormal.

Verifique las protecciones y los aparatos de seguridad para que siempre estén en perfecto funcionamiento.

Al verificar la tensión de las correas o cadenas, NO inserte los dedos entre las correas y las poleas, ni entre las cadenas y los engranajes.

Verifique las protecciones y los dispositivos de seguridad para asegurarse de que funcionen correctamente.

4.4 Operación

4.4.1 Avisos

No trabaje con pelo largo que podría tocar cualquier parte de la maquina, pues podría causar serios accidentes. Atelo para arriba y para atrás, o cubralo con un pañuelo.

Solamente operadores entrenados y calificados pueden operar la maquina.

JAMÁS opere la maquina, sin algún de sus accesorios de seguridad conectado.

4.5 Después de Terminar el Trabajo

4.5.1 Cuidados

Siempre limpie la maquina, para eso **DESLÍGUELA FÍSICAMENTE EL ENCHUFE DE SU SOQUETE.**

Nunca limpie la maquina antes de su **COMPLETA PARADA.**

Después de la limpieza recoleque todos los componentes de la maquina en sus debidos lugares.

Al verificar la tensión de las correas, no coloque los dedos entre las correas y la polea.

4.6 Mantenimiento

4.6.1 Peligros

Con la maquina ligada cualquier manitención es peligrosa. **DESLIGUE LA MAQUINA DE LA RED ELÉCTRICA, DURANTE TODA LA MANUTENCIÓN.**

IMPORTANTE

Siempre retire la flecha de su enchufe en casos de emergencia.

4.7 Aviso

El mantenimiento eléctrico o mecánico debe ser hecho por una persona calificada para hacer el trabajo.

La persona encargada por el mantenimiento debe certificarse que la maquina trabaje bajo condiciones TOTALES DE SEGURIDAD.

5. Análisis y solución de problemas.

5.1 Problemas, causas y soluciones.

Este equipo ha sido diseñado para requerir un mantenimiento mínimo. Sin embargo, puede haber algunas irregularidades en su funcionamiento, debido al desgaste natural causada por su uso.

Si hay un problema con su equipo, compruebe la tabla siguiente, donde se encuentran descritas algunas posibles soluciones.

Por otra parte, Metalúrgica Siemens LTDA. proporciona toda su red de autorizado asistente técnico, que tendrá tanto placer atenderle. La relación del asistente técnico autorizado puede consultarse en el sitio www.skymesen.com.br .

5.2 Ajuste y reemplazo de componentes

5.2.1 Afilamiento de los discos y cruces.

Los buenos discos y ribete de cruces, causa el equipo trabajar con menos esfuerzo y por lo tanto aumenta la vida útil de sus componentes. Para ello, busque la SKYMSEN autorizado asistencia técnica (ATA), para hacer el correcto afilado.

5.2.2 Caja de engranajes

La carne picadora es un equipo que trabaja con la caja redcción lubricado aceite. Para garantizar la vida de los equipos por mucho más tiempo, compruebe el nivel de aceite cada 5.000 horas, amos lleve el equipo a Skymesen autorizado asistencia técnica (ATA).

La cantidad de aceite usado en la picadora de carne es de 250 ml, siendo recomendable usar 140-UNITRON aceite CASTROL o similar con viscosidsd (SAE140, APIGL-4, ANP 1006).

TABLA 02

| PROBLEMAS | CAUSAS | SOLUCIONES |
|--|--|--|
| - La unidad no se enciende; | - Falta de energía eléctrica; - Engrenajes gastados o rotos; -Problema en el circuito eléctrico interno o externo del equipo; | - Comprobar si hay alimentación; - Llame a asistencia técnica autorizada; - Llame a asistencia técnica autorizada; |
| - Quema olor o humo; | -Problema en el circuito eléctrico interno o externo del equipo; | - Llame a asistencia técnica autorizada; |
| - Aleación de equipo, pero cuando el producto se coloca en el equipo, lo mismo para o gira en rotación baja; | - Engrenajes gastados o rotos; -Problemas con el motor eléctrico; | - Llame a asistencia técnica autorizada; - Llame a asistencia técnica autorizada; |
| - Cable eléctrico dañado; | - Transporte de fallo del producto; | - Llame a asistencia técnica autorizada; |
| - Ruidos; | - Rodamientos defectuosos; | - Llame a asistencia técnica autorizada; |
| - El producto procesado sale aplastado; | - Uno de los componentes de la boca o el montaje incorreto de la misma; - Los discos o cruza embotado; | - Comprobar la secuencia de montaje según (fig. 03); - Véase el punto 5.2.1 de este manual. |
| - El tornillo tuerca durante la operación; | - Falta de energía eléctrica en el equipo; - Problema en el circuito eléctrico interno o externo del equipo; - Engrenajes desgastados o rotos; | - Compruebe que el enchufe está enchufado en el zócalo, y si hay energía a la red eléctrica; -Llame a asistencia técnica autorizada; -Llame a asistencia técnica autorizada; |
| - Fuga de aceite en la caja de engranajes; | - Sistema de los equipos dañados de sellado; | - Llame a asistencia técnica autorizada; |

6. Mantenimiento

El mantenimiento debe ser considerado un conjunto de procedimientos que tiene como objetivo mantener el equipo en óptimas condiciones de funcionamiento, dando como resultado mayor duración y seguridad.

* Limpieza - ver artículo 3.4 de esta manual.

* Cableado - Compruebe todos los cables en el decaimiento y todos los contactos (bornes) de la empuñadura y la corrosión eléctrica.

* Contactos - encendido/apagado del interruptor, botón de parada de emergencia, botón de reinicio, circuitos electrónicos, etc... Compruebe el equipo para que todos los componentes funcionan correctamente y que la operación del aparato es normal.

* Instalación - Verifique la instalación de su equipo según el punto 2.1, instalación de este manual.

* **Producto vida - 2 años, en turno normal de trabajo.**

1 - Elementos para revisar y realizar mensualmente:

- Verifique el cableado;
- Mida el voltaje de la toma;
- Medir la corriente de operación y comparar con el nominal;
- Verifique el ajuste de todos los terminales eléctricos de la unidad, para evitar posibles contactos malos;
- Comprobar el eje del motor eléctrico de posibles problemas;
- Compruebe el cable eléctrico y cableado para detectar signos de sobrecalentamiento, aislamiento pobre o falla mecánica;

2 - Elementos para revisar y realizar a cada 3 meses:

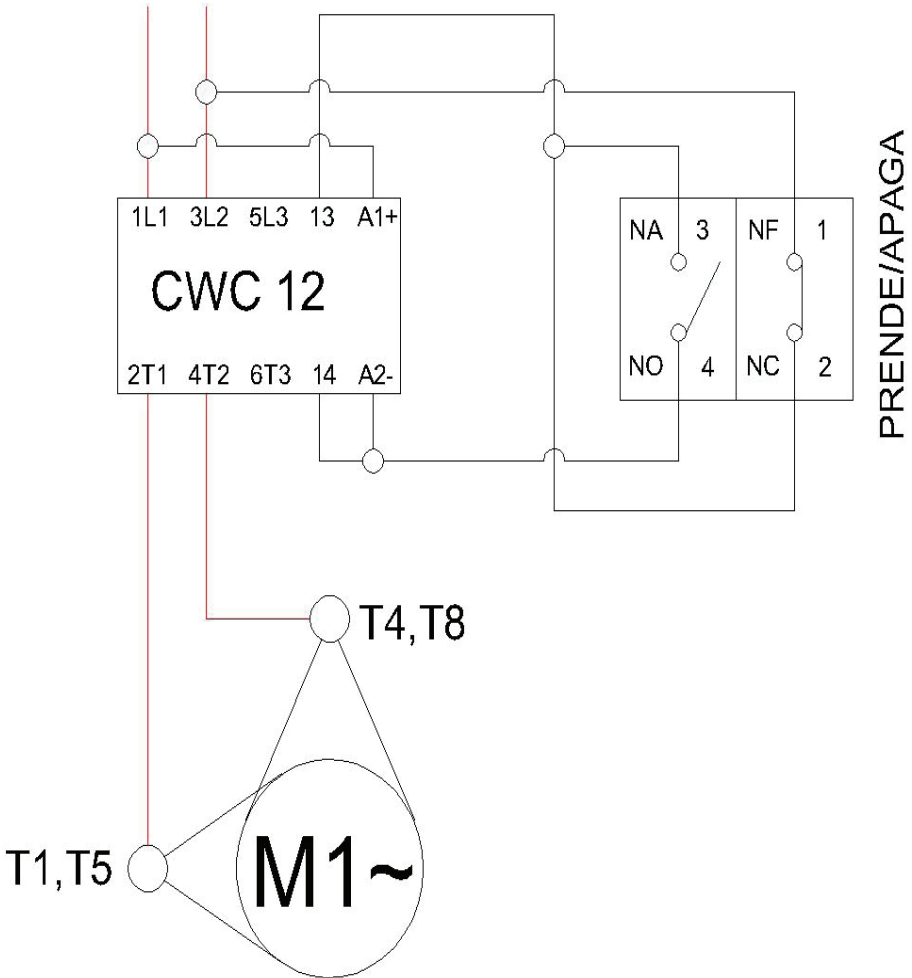
- Comprobar los componentes eléctricos como interruptor de encendido, botón de parada de emergencia, botón de reinicio y circuito electrónico para detectar signos de sobrecalentamiento, aislamiento pobre o falla mecánica;
- Verificar posibles holguras en los rodamientos y conjuntos;
- Comprobar los sellos, anillos o' rings, anillos v y otros sistemas de sellado;

7. Electric Diagram

RED ELÉCTRICA

220V / 50Hz

F N

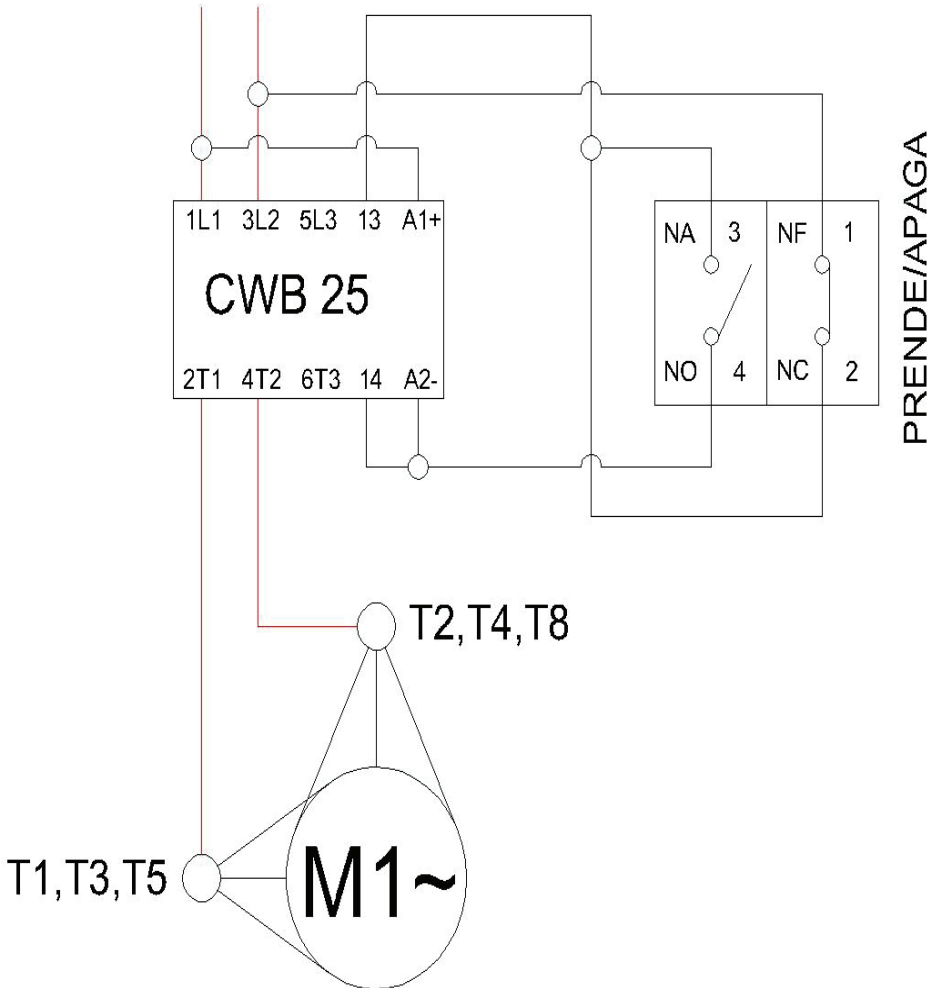


NOTA: Para invertir la dirección de rotación del motor, reemplace el cable T5 con el cable T8.

RED ELÉCTRICA

110V / 60Hz

F N

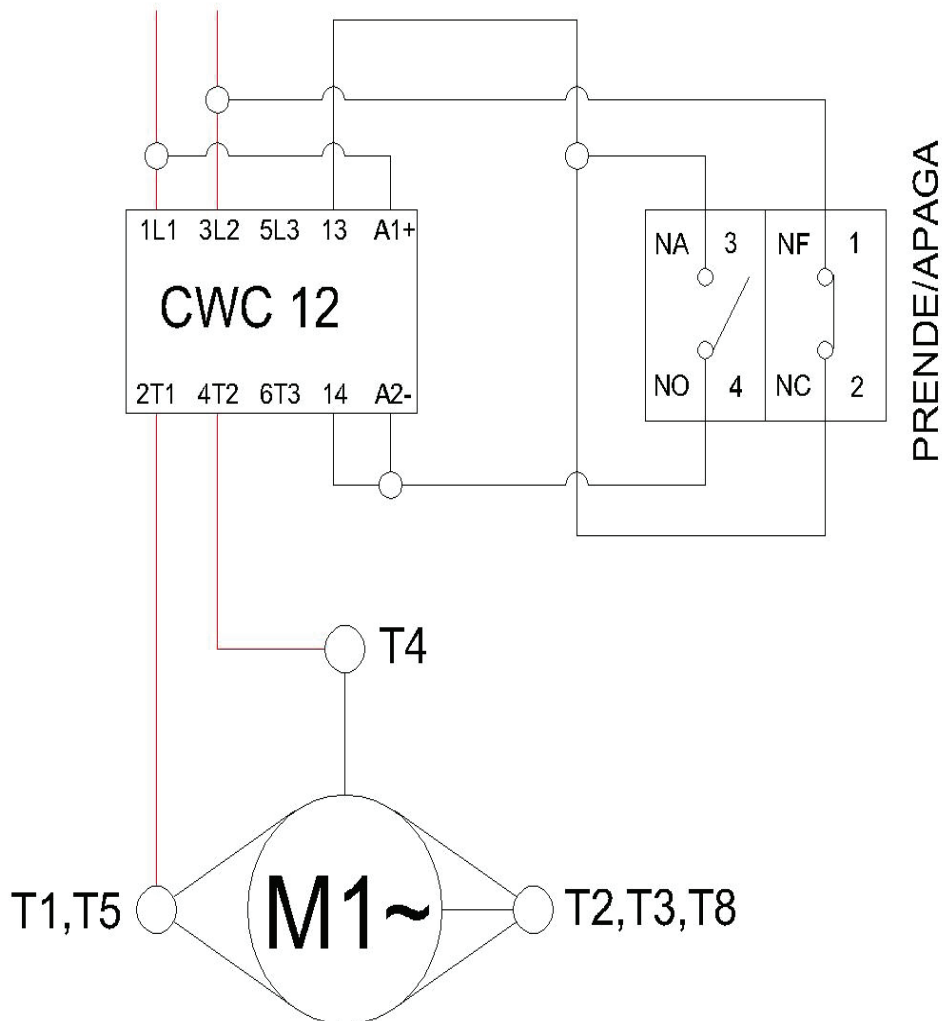


NOTA: Para invertir la dirección de rotación del motor, reemplace el cable T5 con el cable T8.

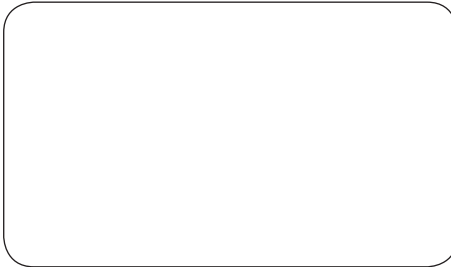
RED ELÉCTRICA

220V / 60Hz

F N



NOTA: Para invertir la dirección de rotación del motor, reemplace el cable T5 con el cable T8.



METALÚRGICA SIEMSEN LTDA.

CNPJ: 82.983.032/0001-19

Rodovia Ivo Silveira - km 12, nº 9525, Galpão 1 - Bairro: Bateas - CEP: 88355-202

Brusque - Santa Catarina - Brasil

Fone: +55 47 3211 6000 - Fax: +55 47 3211 6020

www.siemsen.com.br - comercial@siemens.com.br

70113.6 - ENGLISH/ESPAÑOL

Data de Correção: 30/06/2021

Besides this equipment, a complete range of other products are manufactured , consult our dealers
Due to the constant improvements introduced to our equipments , the information contained in the present Instruction Manual
may be modified without previous notice.

Además de este equipo, se fabrica una gama completa de otros productos, consulte a nuestros distribuidores
Debido a las constantes mejoras introducidas en nuestros equipos, la información contenida en el presente Manual de
Instrucciones puede ser modificada sin previo aviso.

WWW.SIEMSEN.COM.BR